

SULZER

Massblatt XFP 101G-VX Nassinstallation
 Dimension sheet Wet Well Installation
 Dimensioni Installazione sommersa
 Hoja de dimensiones instalación sumergida
 Plan d'encombrement Installation noyee

No: AN-M.22.645 - 06
 Drawn: 23/11/10 D.Wheelan
 Issue Date: 09/05/2013
 Änderungen vorbehalten
 Technical changes reserved
 Con riserva di modifiche
 Con reserva de modificaciones
 Sous réserve de modification

50 Hz

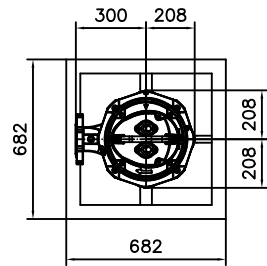
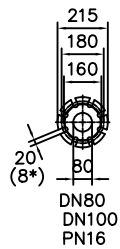
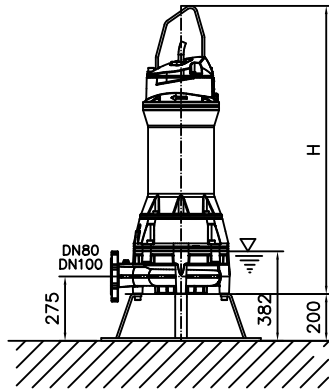
S.I.

Typ Type Tipo	Gewicht Weight Poids N.C.J. (kg)	Gewicht Weight Poids W.C.J. (kg)	Height H (mm)
PE 150/2	352	392	1232
PE 185/2	352	392	1232
PE 250/2	372	412	1232

60 Hz

Typ Type Tipo	Gewicht Weight Poids N.C.J. (kg)	Gewicht Weight Poids W.C.J. (kg)	Height H (mm)
PE 230/2	381	421	1232
PE 300/2	391	431	1232

N.C.J. = No Cooling Jacket
 W.C.J. = With Cooling Jacket



Gewicht: Beinhaltet Pumpe, Bodenstützgestell und Kabel (50Hz = 10m; 60Hz = 15m)
 Weight: Includes pump, skirtbase and cable (50Hz = 10m; 60Hz = 15m)
 Peso: Incluye bomba, base soporte y cable (50Hz = 10m; 60Hz = 15m)
 Peso: Include: pompa, base d'appoggio e cavo (50Hz = 10m; 60Hz = 15m)
 Poids: Incluant la pompe, le trepied et le câble (50Hz = 10m; 60Hz = 15m)

Üss-Allgemeintoleranzen nach DIN1680 - GTB16
 General tolerances for castings in acc. to DIN1680-GTB16
 Tolleranze generali delle fusioni secondo DIN1680-GTB16
 Tolerancias generales para la fundición seg. de DIN1680-GTB16
 Tolérance générale de la fonderie selon DIN1680-GTB16

SULZER

Massblatt XFP 101G-VX Nassinstallation
 Dimension sheet Wet Well Installation
 Dimensioni Installazione sommersa
 Hoja de dimensiones instalación sumergida
 Plan d'encombrement Installation noyee

No: AN-M.22.645 - 06
 Drawn: 23/11/10 D.Wheelan
 Issue Date: 09/05/2013
 Änderungen vorbehalten
 Technical changes reserved
 Con riserva di modifiche
 Con reserva de modificaciones
 Sous réserve de modification

50 Hz

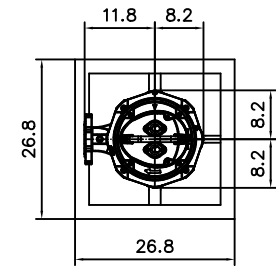
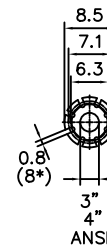
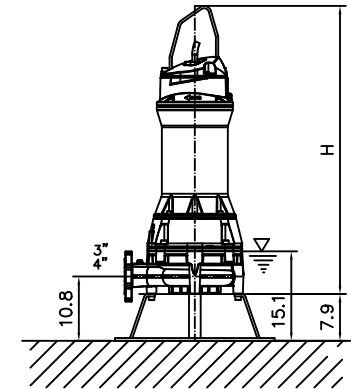
U.S.

Typ Type Tipo	Gewicht Weight Poids N.C.J. (lbs)	Gewicht Weight Poids W.C.J. (lbs)	Height H (")
PE 150/2	777	865	48.5
PE 185/2	777	865	48.5
PE 250/2	821	909	48.5

60 Hz

Typ Type Tipo	Gewicht Weight Poids N.C.J. (lbs)	Gewicht Weight Poids W.C.J. (lbs)	Height H (")
PE 230/2	840	928	48.5
PE 300/2	860	950	48.5

N.C.J. = No Cooling Jacket
 W.C.J. = With Cooling Jacket



Gewicht: Beinhaltet Pumpe, Bodenstützgestell und Kabel (50Hz = 10m; 60Hz = 15m)
 Weight: Includes pump, skirtbase and cable (50Hz = 10m; 60Hz = 15m)
 Peso: Incluye bomba, base soporte y cable (50Hz = 10m; 60Hz = 15m)
 Peso: Include: pompa, base d'appoggio e cavo (50Hz = 10m; 60Hz = 15m)
 Poids: Incluant la pompe, le trepied et le câble (50Hz = 10m; 60Hz = 15m)

Üss-Allgemeintoleranzen nach DIN1680 - GTB16
 General tolerances for castings in acc. to DIN1680-GTB16
 Tolleranze generali delle fusioni secondo DIN1680-GTB16
 Tolerancias generales para la fundición seg. de DIN1680-GTB16
 Tolérance générale de la fonderie selon DIN1680-GTB16