

Z22 Double-Suction Axially-Split Single-Stage Centrifugal Pump

SULZER

60 Hz

Applications

Sulzer split casing pump, series Z22, our workhorse for many demanding operations. They are trusted for pulp and paper production as head box pumps and dilution pumps. In water and sewage works, district heating systems, power plants and other critical applications.

Design

The Z22 series comprises of 25 sizes with different impeller design available. This flexibility ensures that energy consumption is minimised throughout a pumps' complete operating range.

Many of these pumps have a peak efficiency of over 90%. Each pump is tested to ISO 9906, Grade 2, or other agreed standard.

Pump casing

Pumps generating high heads are designed to reduce radial forces, ensuring minimal shaft deflection and low bearing loads.

The casing is axially split, which permits removal of the complete rotor without moving either the piping or the motor.

Replaceable wear rings between the suction and discharge side enable high efficiency throughout the whole lifetime of the pump.

Impeller

The closed impellers are designed for optimum flow conditions. Each impeller is statically and dynamically balanced according to ISO 1940, Grade 6.3 (For fan pump Grade 2.5).

Double suction low pulsation impellers are available designed to meet stringent performance requirements for head box pumps. These impellers gives practically zero hydraulic axial forces and have low NPSH requirements which gives reduced installation costs.

For each pump size there are normally two or more impeller variants available to best suit various applications.

Shaft and shaft sleeves

Sturdy shaft/bearing construction ensures smooth running with very low vibrations.

The shaft deflection at the seal positions is less than 0.05 mm (0.002 inch). At its entire length the shaft is protected by shaft sleeves, which are O-ring sealed.

Shaft seals

All sizes can be supplied with mechanical seals and most sizes with gland packing.



Properties

Capacity	500-20000 m ³ /h (2200-89000 USgpm)
Head	10-200 m (33-656 ft)
Temperature	Max. 100-140°C (212°F-284°F) depending on size and material
Pressure rating	PN6 to PN25 owing to pump size and material
Flanges	ISO 7005 PN10-PN25 or ANSI 125-300
Lubrication	Grease as standard

Bearings

Grease lubricated bearings designed for a calculated bearing life of at least 80 000 hours, which is equivalent to 10 years continuous service. Only maintenance of bearings and shaft seals are necessary.

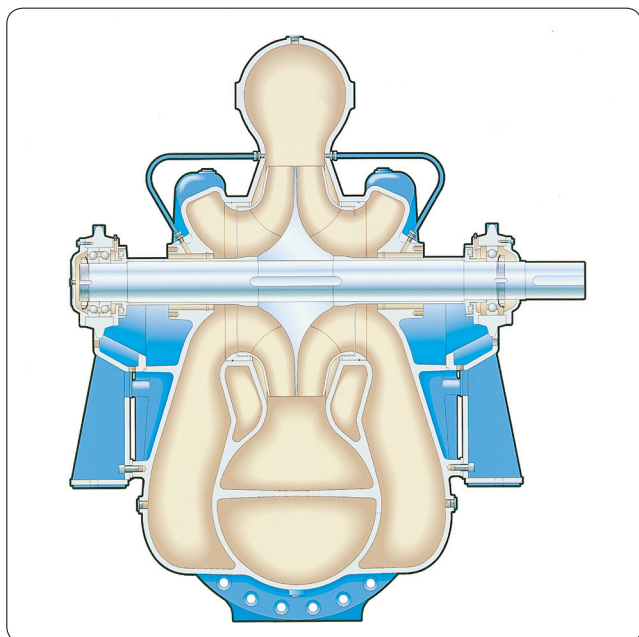
Deflectors and V-ring seals protect the bearings against moisture and dirt ingress both when running or at standstill.

The bearing brackets are drilled as standard for SPM nipples and can also be fitted with temperature sensors.

The rigid axial thrust bearing can take high external axial loads, and the pumps can therefore be vertically mounted.

Your benefits

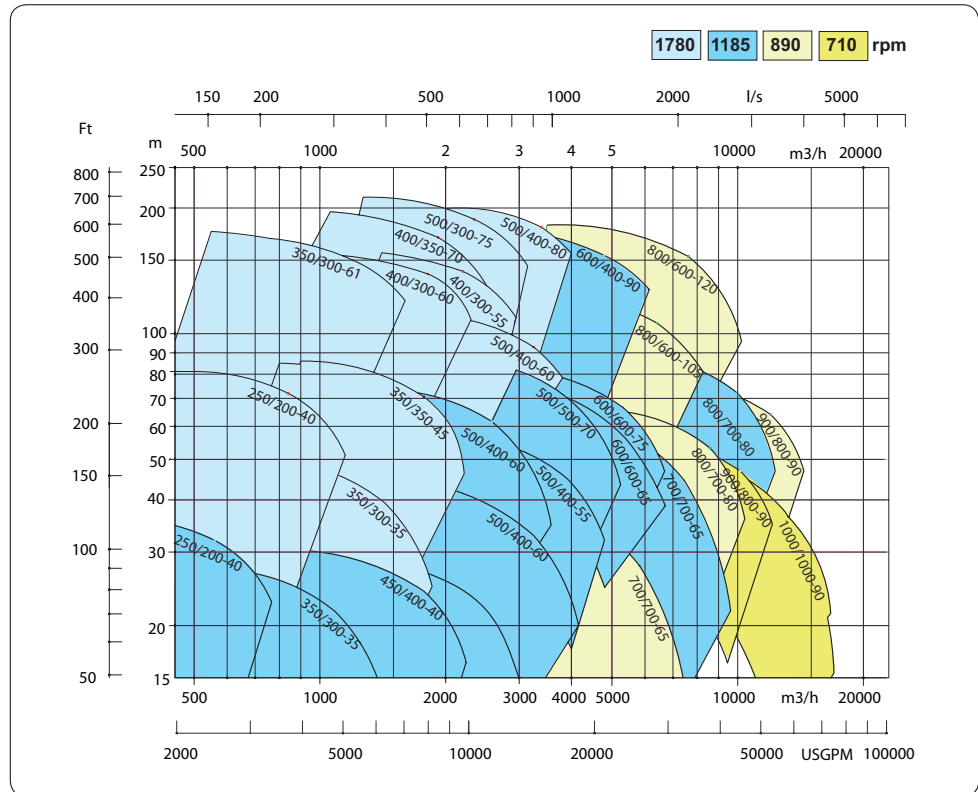
- **Optimal reliability.** Sturdy design ensures smooth and trouble-free operation.
- **High efficiency.** The design guarantee high efficiencies and large energy savings year in and year out.
- **Low installation costs.** Double suction impellers with lower NPSH requirements give minimal installation costs.
- **Maximum flexibility.** Wide range with many installation options to meet specific applications needs.
- **Simplicity of service.** Easy dismantling thanks to the split casing design.



Type designations

Z22 800/700-80	
Z22	Pump series
800	Suction size code
700	Discharge size code
-80	Impeller size code

Performance curves

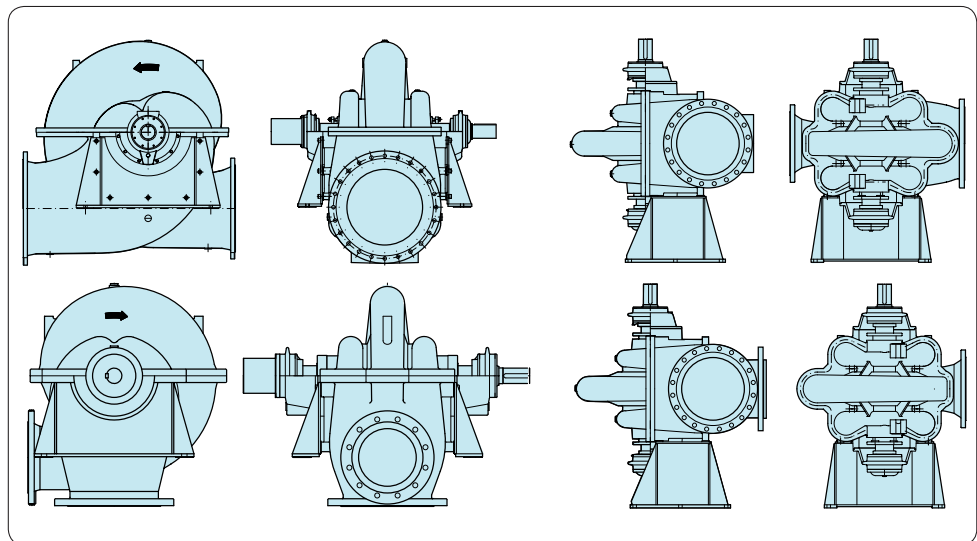


Installation versions

All pumps can be installed horizontally or vertically and some can be supplied with right-angle connections.

Flexible steel support design makes it easy to adopt customers special requirements, mostly incline suction discharge configuration.

For vertical installations the motor can be mounted on a tripod and driven via a cardan shaft to the stool-mounted pump. The pump can also be mounted on a stool and driven via a cardan shaft.



Materials

Code	01	02	05	06	07	24	41
Pump casing	Cast iron 0120	Cast iron 0120	Cast iron 0120	Nodular iron 0717	Nodular iron 0717	Stainless steel 2324	Bronze 5444
Wear rings	Cast iron 0120	Bronze 5204-15	Stainless steel 2324	Cast iron 0120	Bronze 5204-15	Stainless steel 2324	Bronze 5204-15
Impeller	Cast iron 0120	Bronze 5444	Stainless steel 2324	Cast iron 0120	Bronze 5444	Stainless steel 2324	Bronze 5444
Shaft	Steel 1650/1672	Steel 1650/1672	Stainless steel 2324	Steel 1650/1672	Steel 1650/1672	Stainless steel 2324	Stainless steel 2324
Shaft sleeve	Bronze 5204-15	Bronze 5204-15	Stainl. steel 2377/2348	Bronze 5204-15	Bronze 5204-15	Stainl. steel 2377/2348	Bronze 5204-15

www.sulzer.com

E10118 us 5.2012 © Sulzer Pumps

This data sheet is a general presentation. It does not provide any warranty or guarantee of any kind. Please, contact us for a description of the warranties and guarantees offered with our products. Directions for use and safety will be given separately. All information herein is subject to change without notice.