



- Fuel nozzles
- Liner cap

Combustion Components Equivalent to GE MS7001FA+e

Sulzer provides design and manufacturing of new gas turbine components in both hot and cold sections. We focus on lifetime extension and performance improvement of your equipment. We have unique insight into designing a high quality product that is compatible and interchangeable with the original equipment. All DLN 2.6 combustion components include installation hardware suitable for installation in MS7001FA+e gas turbines.

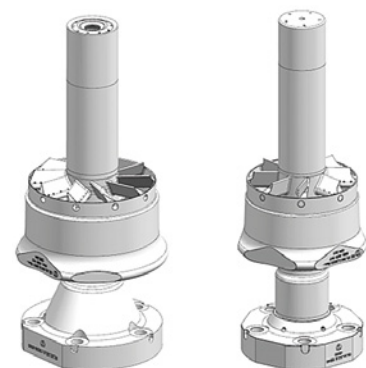
Fuel nozzles

The DLN 2.6 fuel nozzle configuration consists of five outer fuel nozzles and one center fuel nozzle. The nozzles are made from austenitic stainless steel. The fuel nozzle features a swirler that is manufactured through an investment

casting process. The swirler is fully faired and the tip of the fuel nozzles is fused which makes the fuel nozzles flashback resistant. The fuel nozzles can be supplied in a gas only and dual fuel configuration.

Sulzer provides DLN 2.6 fuel nozzles along with E and C sealings and corresponding locking hardware.

Firing temp.	Up to 1,327°C (2,420°F)
Design	Faired swirler, fused tip design
Material	Austenitic stainless steel
Sealing	E-sealing, C-sealing
Auxiliaries	Locking hardware included

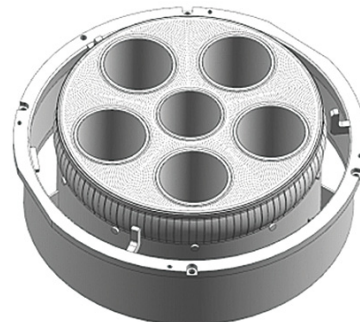


Liner cap

The liner cap is made out of stainless steel. The downstream side of the cap features an effusion cooled plate that is made from HastelloyX™. The alloy possesses an exceptional combination of oxidation and corrosion resistance and

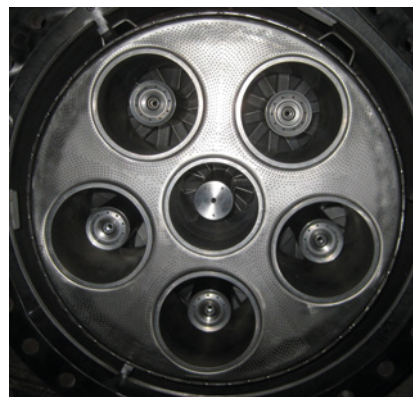
high temperature strength. A chromium carbide hardface coating is applied on the interface with liner (Hula spring seals) to prevent rubbing damage. Sulzer provides DLN 2.6 liner caps along with spring seals and corresponding locking hardware.

Firing temp.	Up to 1,327°C (2,420°F)
Design	5 outer + 1 center premix tube
Cooling	Effusion cooling
Material	HastelloyX™
Coating	Hardface coating spring seals
Sealing	Spring sealing
Auxiliaries	Locking hardware included



About Sulzer

Sulzer provides cutting-edge services and solutions for rotating equipment dedicated to improving customers' processes and business performances. When pumps, turbines, compressors, generators, and motors are essential to operations, customers need a service partner they can trust. With our technically advanced and innovative solutions, we give our customers the assurance they need to focus on their operations. Customized solutions help to reduce maintenance time and cost. Our partners' business demands are ever increasing and changing but they can rely on our experts to provide the optimal solution to improve operational efficiency and reliability. We provide high-quality services at competitive prices and delivery times.



Sulzer Turbo Services Venlo B.V.

Spikweien 36
NL-5943 AD Lomm, The Netherlands
Phone: +31 (0)77 47386 66
Fax: +31 (0)77 47327 85
E-mail: sulzertsvlenlo@sulzer.com
Internet: www.sulzer.com