

**SULZER**

Massblatt AS0530 S12 - S30

Dimension sheet

Plan d'encombrement

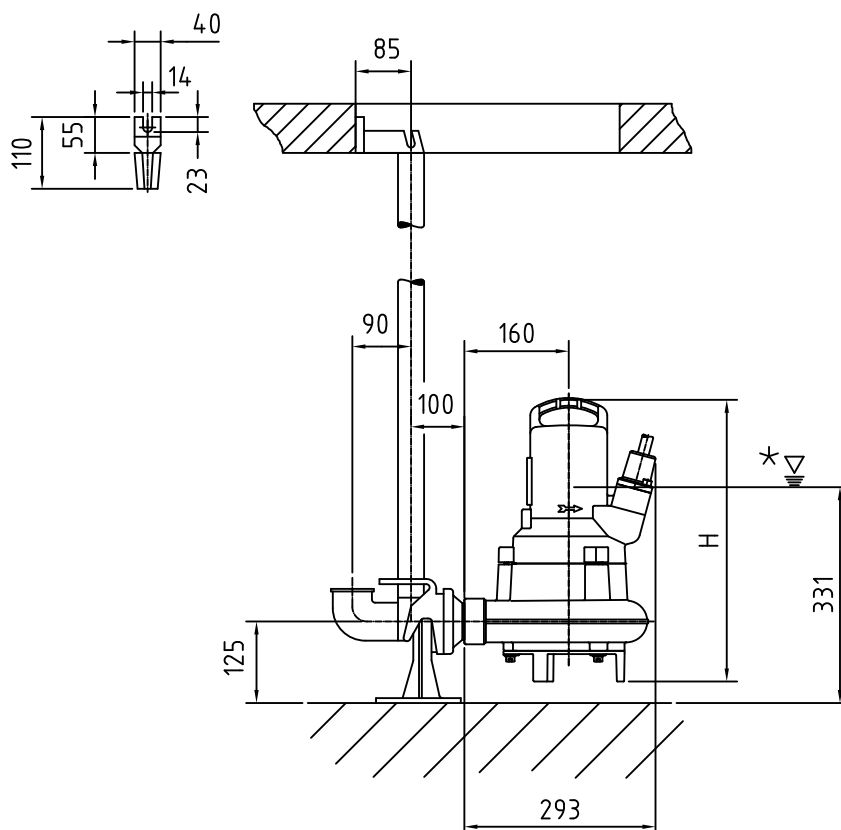
No: AN-M 12.37-03

Drawn: 02.07.98/C.Quirke

Issue Date: 21.02.02

Änderungen vorbehalten  
Technical changes reserved  
Con riserva di modifiche  
Con reserva de modificaciones  
Sous réserve de modification

50Hz	60Hz	H
S12/2	S16/2	432
S17/2	S18/2	432
S26/2	S30/2	444



★ LOWEST SWITCH OFF POINT FOR AUTOMATIC OPERATION

