

# SULZER

Massblatt XFP 100C-CB1 Nassinstallation  
Dimension sheet WET-WELL Installation  
Dimensioni Installazione sommersa  
Hoja de dimensiones instalaci3n sumergida  
Plan d'encombremnt Installation noyee

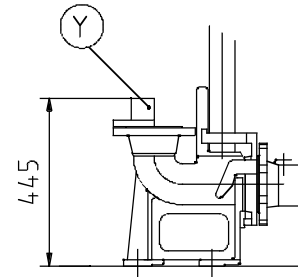
No: AN-M.22.558 - 04  
Drawn: 12/05/09 D.WheLAN  
Issue Date: 09/05/2013  
Anderungen vorbehalten  
Technical changes reserved  
Con riserva di modifiche  
Con reserva de modificaciones  
Sous r3serve de modification

## 50 Hz

Typ Type Tipo	Gewicht Weight Poids Peso (kg)
PE 13/6	121
PE 22/4	121
PE 29/4	121

ASA

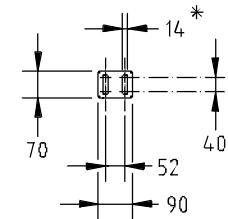
Part No.	Y(mm)
DN 100	
6 232 0652	
6 232 0653	∅ 110
6 232 0654	∅ 115
6 232 0664	
6 232 0665	∅ 115



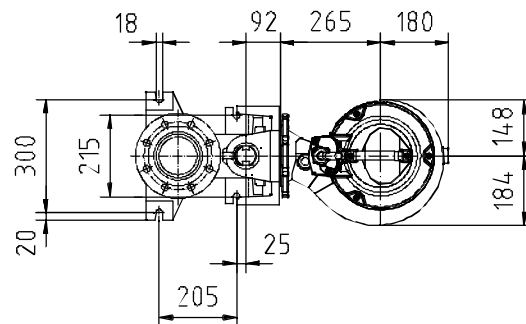
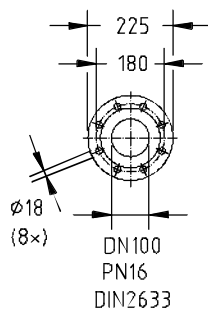
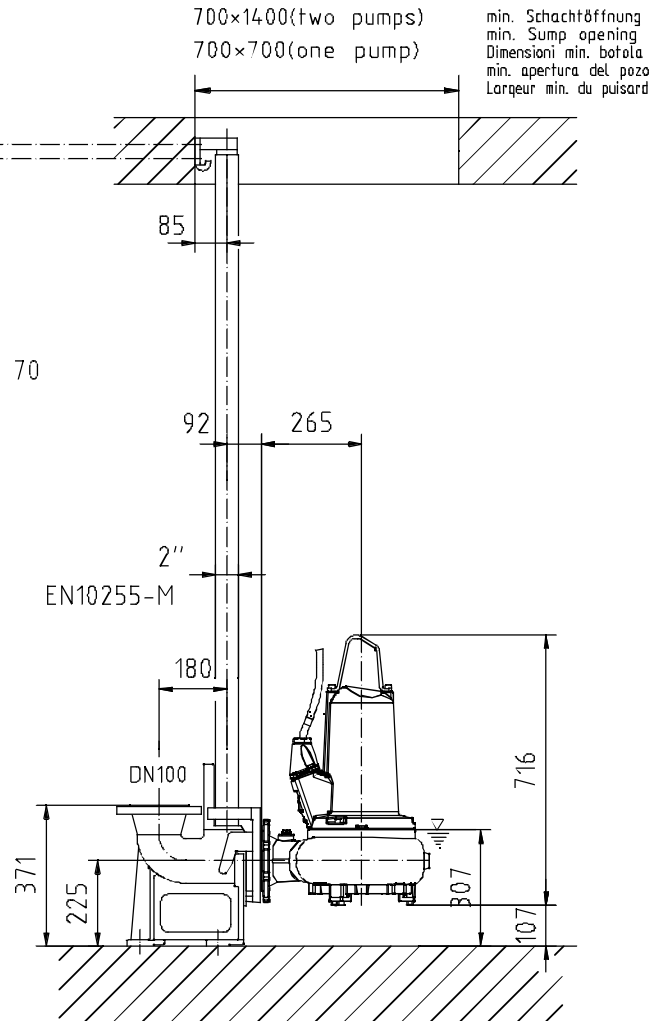
S.I.

## 60 Hz

Typ Type Tipo	Gewicht Weight Poids Peso (kg)
PE 28/4	131
PE 28/4W	140
PE 20/6	141
PE 20/6W	141
PE 35/4	131



\*  
For Hex Head  
wood screw 10 x 70  
Plug ∅12



Gewicht: Beinhaltet Pumpe, Halterung (Fussstück) und Kabel (50 Hz = 10 m; 60 Hz = 15 m)  
Weight: includes pump, slider bracket and cable (50 Hz = 10 m; 60 Hz = 15 m)  
Peso: include pompa, pezzo intermedio a cavo (50 Hz = 10 m; 60 Hz = 15 m)  
Peso: incluye bamba, soporte deslizante y cable (50 Hz = 10 m; 60 Hz = 15 m)  
Poids : incluant la pompe, le coulisseau et le cable\* (50 Hz = 10 m; 60 Hz = 15 m)

Guss-Allgemeintoleranzen nach DIN1680 - GTB16  
General tolerances for castings in acc. to DIN1680-GTB16  
Tolleranze generali delle fusioni secondo DIN1680-GTB16  
Tolerancias generales para la fundici3n seg. de DIN1680-GTB16  
Tol3rance g3n3rale de la fonderie selon DIN1680-GTB16

# SULZER

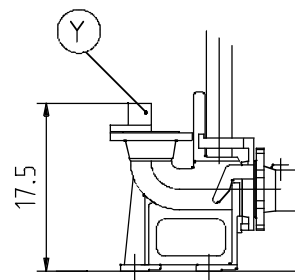
Massblatt XFP 100C-CB1 Nassinstallation  
Dimension sheet WET-WELL Installation  
Dimensioni Installazione sommersa  
Hoja de dimensiones instalaci3n sumergida  
Plan d'encombremnt Installation noyee

No: AN-M.22.558 - 04  
Drawn: 12/05/09 D.WheLAN  
Issue Date: 09/05/2013  
Anderungen vorbehalten  
Technical changes reserved  
Con riserva di modifiche  
Con reserva de modificaciones  
Sous r3serve de modification

## 50 Hz

Typ Type Tipo	Gewicht Weight Poids Peso (lbs)
PE 13/6	267
PE 22/4	267
PE 29/4	267

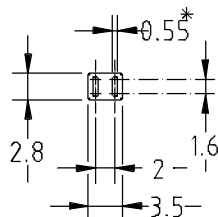
Part No.	Y(mm)
DN 100	
6 232 0652	
6 232 0653	∅ 110
6 232 0654	∅ 115
ASA 6 232 0664	
6 232 0665	∅ 115



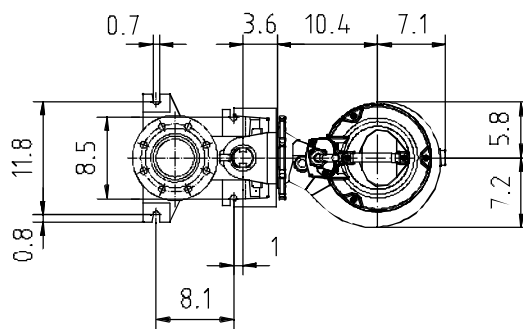
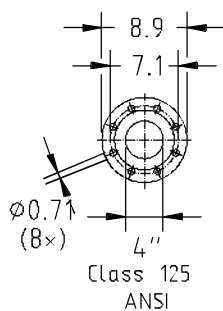
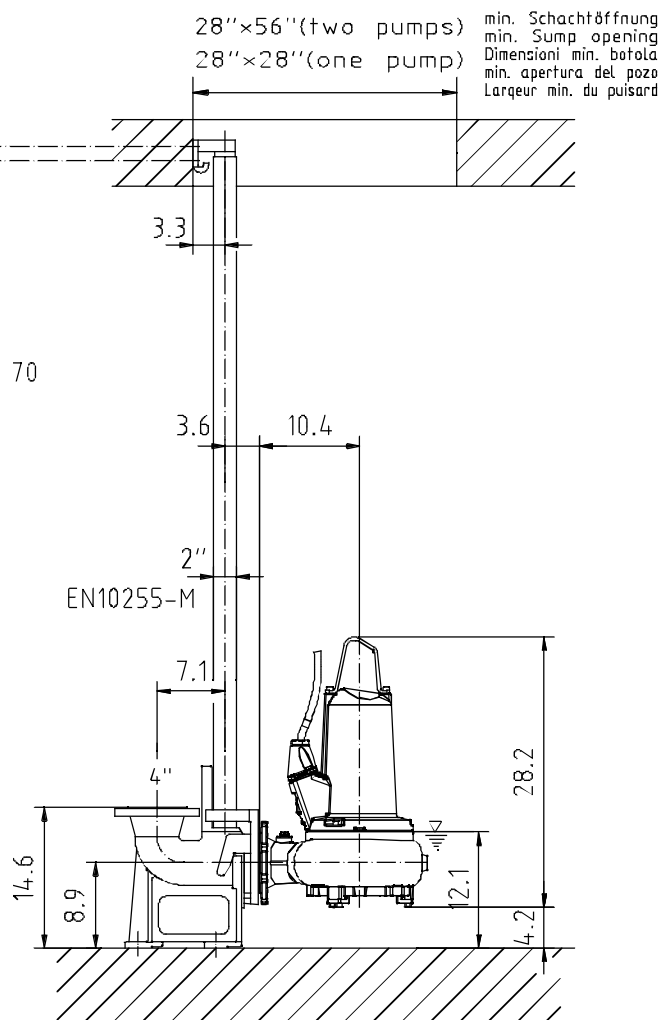
## U.S.

## 60 Hz

Typ Type Tipo	Gewicht Weight Poids Peso (lbs)
PE 28/4	289
PE 28/4W	299
PE 20/6	311
PE 20/6W	311
PE 35/4	289



\*  
For Hex Head  
wood screw 10 x 70  
Plug ∅12



Gewicht: Beinhaltet Pumpe, Halterung (Fussstück) und Kabel (50 Hz = 10 m; 60 Hz = 15 m)  
Weight: includes pump, slider bracket and cable (50 Hz = 10 m; 60 Hz = 15 m)  
Peso: Incluye bomba, soporte deslizante y cable (50 Hz = 10 m; 60 Hz = 15 m)  
Peso: include pompa, pezzo intermedio a cavo (50 Hz = 10 m; 60 Hz = 15 m)  
Poids : incluant la pompe, le coulisseau et le cable\* (50 Hz = 10 m; 60 Hz = 15 m)

Guss-Allgemeintoleranzen nach DIN1680 - GTB16  
General tolerances for castings in acc. to DIN1680-GTB16  
Tolleranze generali delle fusioni seconda DIN1680-GTB16  
Tolerancias generales para la fundici3n seg. de DIN1680-GTB16  
Tol3rance g3n3rale de la fonderie selon DIN1680-GTB16