

Service kits for SNS and TB mechanical seals

Sulzer has created service kits for the easy and quick service of SNS and TB mechanical seals. Service kits offer a possibility to lengthen the lifetime of the mechanical seal without buying a complete new seal as a spare part.

SNS and TB mechanical seal service kits include all the main wear parts such as slide faces, o-rings, gaskets and springs in one box readily to hand when servicing these mechanical seals. The slide faces are prelapped.

Benefits

- All components required for SNS and TB mechanical seal service in one package
- Saves time and costs in maintenance, purchasing and inventories
- Original spare parts ensure compatibility and reliability and reduce lifetime costs
- Easy to identify, purchase, store and use



SNS1 / SNS1F / SNS1G service kit

- ① 412.MS01 O-ring
- ② 412.MS02 O-ring
- ③ 412.MS03 O-ring
- ④ 412.MS04 O-ring
- ⑤ 477.MS01 Spring
- ⑥ 506.MS01 Retaining ring

SNS2 / SNS2P service kit

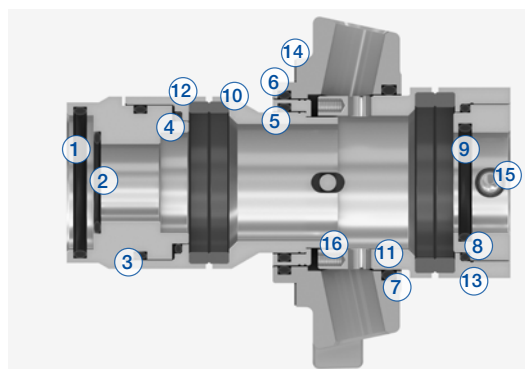
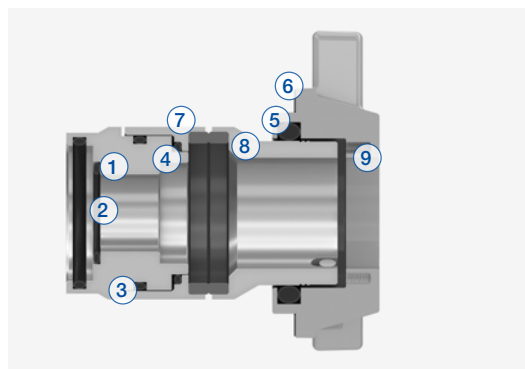
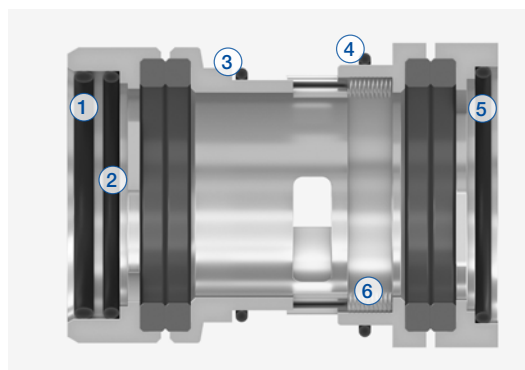
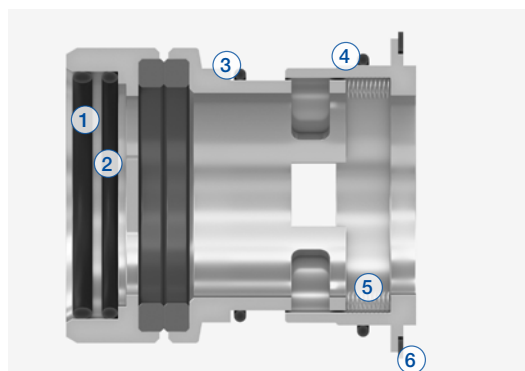
- ① 412.MS01 O-ring
- ② 412.MS02 O-ring
- ③ 412.MS03 O-ring
- ④ 412.MS04 O-ring
- ⑤ 412.MS05 O-ring
- ⑥ 477.MS01 Spring

TB1 / TB1F service kit

- ① 412.MS01 O-ring
- ② 412.MS02 O-ring
- ③ 412.MS03 O-ring
- ④ 412.MS04 O-ring
- ⑤ 412.MS05 O-ring
- ⑥ 400.MS01 Gasket
- ⑦ 472.MS01 Slide ring
- ⑧ 475.MS01 Thrust ring
- ⑨ 477.MS01 Spring

TB2 / TB2P service kit

- ① 412.MS01 O-ring
- ② 412.MS02 O-ring
- ③ 412.MS03 O-ring
- ④ 412.MS04 O-ring
- ⑤ 412.MS05 O-ring
- ⑥ 412.MS06 O-ring
- ⑦ 412.MS07 O-ring
- ⑧ 412.MS08 O-ring
- ⑨ 412.MS09 O-ring
- ⑩ 475.MS01 Thrust ring
- ⑪ 475.MS02 Thrust ring
- ⑫ 472.MS01 Slide ring
- ⑬ 472.MS02 Slide ring
- ⑭ 400.MS01 Gasket
- ⑮ 904.MS01 Set screw
- ⑯ 477.MS01 Spring



Please contact your local sales office for further information.

sulzer.com

E10845 en 2.2023, Copyright © Sulzer Ltd 2023

This brochure is a general product presentation. It does not provide a warranty or guarantee of any kind. Please contact us for a description of the warranties and guarantees offered with our products. Directions for use and safety will be given separately. All information herein is subject to change without notice.