

Discharge connection J, JC, JS



Flexibility with discharge connections

Discharge connections are available in various sizes, and can be supplied with connection hose, BSP-thread (G), NPT- thread or storz quick-coupling.

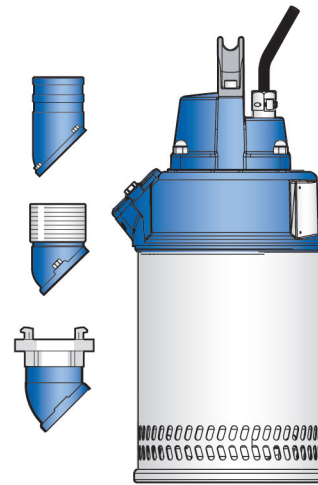
All discharge connections can at least be fitted in horizontal or vertical direction (central discharge pumps only vertical).

All discharge connections are sealed efficiently with an o-ring/gasket between the discharge connection and the main cover/cooling jacket.

On a new delivered pump the key 13/16 or 19/24 is found in the plastic folder together with the starting and operating instruction.

PLEASE NOTE!

Lubrication of threaded spigots is required before assembly of storz or other quick couplings.



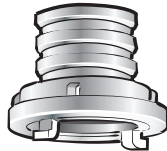
P/N J 12 - J 15	Size	P/N J 24 - J 44	Size	P/N J 54 - J 84	Size	P/N J 205 - J 405	Size
61170135	1 ½"	61170137	2 ½"	61170130	3"	31090224	4"
61170132	2"	61170138	3"	61170131	4"	31090225	6"
61170134	2 ½"	61170133	4"	32820511	6"	31090226	8"
61170136	3"	32820519	2 ½" BSP	32820512	3" BSP	32820525	4" BSP
32820521	2 ½" BSP	32820517	3" BSP	32820513	4" BSP	32820526	6" BSP
32820522	2" BSP	32820518	4" BSP	32820529	6" BSP	00830312	8" BSP
32820545	3" BSP	00830489	2 ½" NPT	32820514	3" NPT	32820527	4" NPT
32820523	2" NPT	32820520	3" NPT	32820515	4" NPT	32820528	6" NPT
32820516	3" NPT	32820524	4" NPT	00830086	6" NPT	00830379	8" NPT
00830343	2" Storz	00830344	3" Storz	00830346	3" Storz	00830349	4" Storz
00831178	3" Storz	00830345	4" Storz	00830347	4" Storz	00830350	6" Storz
00830022	O-ring	00830426	O-ring	00830348	6" Storz	11121043	O-ring
				11120898	O-ring		

P/N J 604	Size	P/N JC 24 - JC 44	Size	P/N JC 34	Size	P/N JC 54 - JC 84	Size
21430515	6"	32820531	3" BSP	31090161	2"	00831161	3" BSP
21430516	8"	32820532	3" NPT	31090185	3"	00831162	4" BSP
21430517	10"	11121079	O-ring	31090160	2" BSP	32820534	3" NPT
31090200	6" BSP			31090184	3" BSP	32820535	4" NPT
00830807	8" BSP			31090162	2" NPT	43070438	Gasket
31090173	6" NPT			31090189	3" NPT		
31090174	8" NPT			00830355	2" Storz		
31090175	10" NPT			00830356	3" Storz		
00830351	6" Storz			11120028	O-ring		
11120112	O-ring						

P/N JS 12 - JS 15	Size	P/N JS 24 - JS 44	Size	P/N JS 54 - JS 84	Size
61170135	1 ½"	61170137	2 ½"	00831274	3"
61170132	2"	61170138	3"	00831275	4"
61170134	2 ½"	61170133	4"	00831276	3" BSP
61170136	3"	32820519	2 ½" BSP	00831277	4" BSP
32820522	2" BSP	32820517	3" BSP	00831278	3" NPT
32820521	2 ½" BSP	32820518	4" BSP	00831279	4" NPT
00830545	3" BSP	00830489	2 ½" NPT	00831280	3" Storz
32820523	2" NPT	32820520	3" NPT	00831281	4" Storz
32820516	3" NPT	32820524	4" NPT	00830812	O-ring
00830343	2" Storz	00830344	3" Storz		
00831178	3" Storz	00830345	4" Storz		
00830022	O-ring	00830426	O-ring		

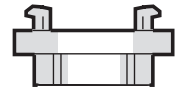
Storz - with hose connection

P/N	Size
15000005	2" / C
15000006	3" / B
15000017	4" / A
15000016	6" / F



Storz - with internal thread

P/N	Size
15000009	2" / C
15000024	3" / B
15000022	4" / A
15000027	6" / F



Locking key for Storz

P/N	Size
15010020	A/B/C 4"/3"/2"
00830256	F 6"

*2 pcs locking key is needed

Key for discharge

P/N	Pump model
00830852 Key 13/16	J 12 - J 84 JC 24 - JC 84 JS 12 - JS 84
00830853 Key 19/24	J 205 - J 604