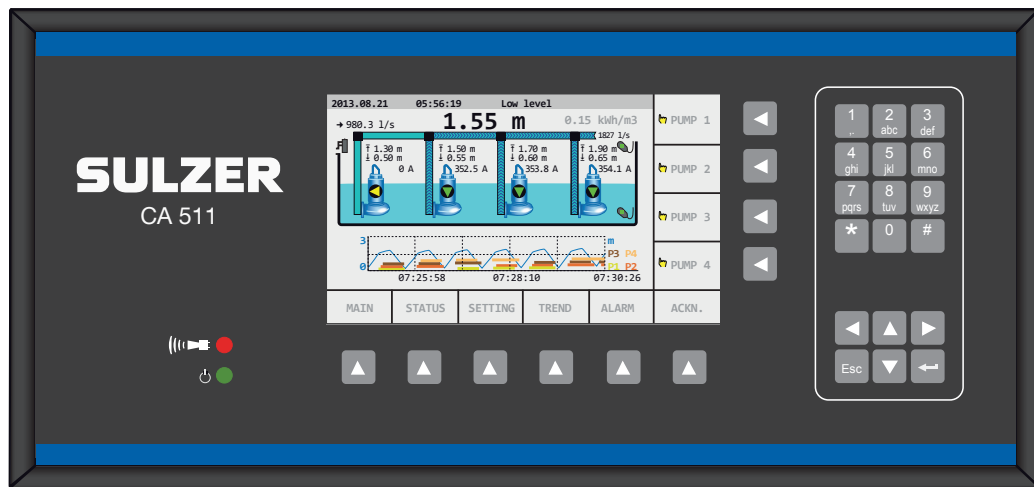

Graphical Operator Interface Type ABS CA 511



Copyright © 2017 Sulzer. All rights reserved.

This manual, as well as the software described in it, is furnished under license and may be used or copied only in accordance with the terms of such license. The content of this manual is furnished for informational use only, is subject to change without notice, and should not be construed as a commitment by Sulzer. Sulzer assumes no responsibility or liability for any errors or inaccuracies that may appear in this book.

Except as permitted by such license, no part of this publication may be reproduced, stored in a retrieval system, or transmitted, in any form or by any means, electronic, mechanical, recording, or otherwise, without the prior written permission of Sulzer.

Sulzer reserves the right to alter specifications due to technical developments.

1 INSTALLATION

1.1 General information

The operator panel CA 511 communicates through the CAN-bus. The operator can easily configure and monitor the system from the operator panel.

1.2 Installation of the operator panel

When installing the CA 511 it is required a rectangular hole with the height of 107 mm and width of 220 mm. With the CA 511 are two tin-plates and four screws enclosed to fasten the CA 511 in the hole, see Figure 1 below.

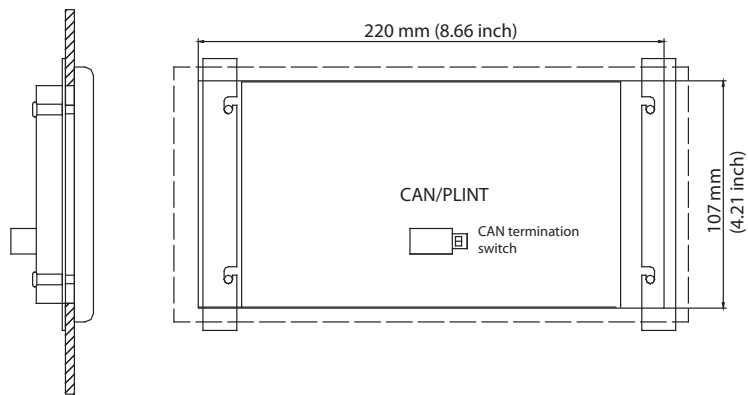


Figure 1 Left figure, panel fasten on a door, right figure, panel with tin-plates seen on the back with dimensions of the required hole.

1.3 Power supply

CA 511 is powered from the CAN bus cable and normally get power from PC 441.

1.4 CAN bus (Field bus)

A CAN network is of multidrop type which means that all units are connected in parallel on the same cable.

For more detailed description see *PC 441 Installation Manual*.

1.4.1 CAN-socket on the CA 511

The CA 511 has a CAN bus socket. The socket is numbered from 1-5 and is connected to the CAN cable as the table describes.



Pin number	Cable	Description	PC 441 terminals
1. 0V	Green	Common	46
2. CAN_L	White	CAN low	45
3. CAN_SHLD	Shield	Cable shield	44
4. CAN_H	Brown	CAN high	43
5. CAN_V+	Yellow	Positive Power supply (CA 511)	42

All cables shall be connected to the CA 511.

1.4.2 CAN Termination

The CAN bus shall be terminated at both cable ends.

PC 441 is bus master and has a built-in termination that are always active and should therefore always be placed in one of the endpoints of the cable.

For other devices you can activate the selectable termination with a switch marked CAN TERM.

The switch is located next to the CAN socket on the back of CA 511.

Active termination if CA 511 is placed on the other endpoint of the cable.

All other devices between should have their termination switch in Off position.

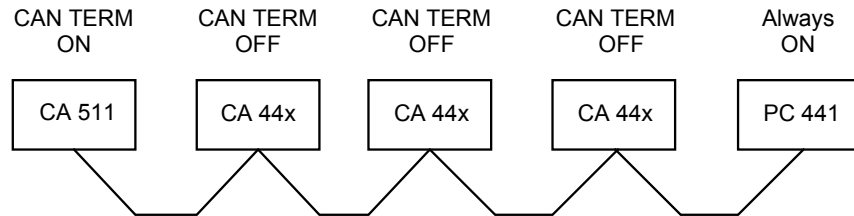


Figure 2 CAN network with connection

1.4.3 CAN ID

Only one CA 511 can exist on the CAN bus.

CA 511 use a fixed ID on the bus and no ID settings needs to be done.

1.5 Indicators and settings



The operator panel has 2 LED indicators. The green SUPPLY/WATCHDOG is lit when the panel has found units to communicate with, otherwise it will flash green. The second red LED is for indicating alarms.

No settings for the panel is needed.

For operating instructions see *PC 441 User Guide*.

2 TECHNICAL DATA

2.1 Technical data CA 511

Ambient operation temperature	-20 to +50°C (-4 to +122°F)
Ambient storage temperature	-30 to +80°C (-22 to +176°F)
Degree of protection assembled in cabinet from outside	IP 65, NEMA: Type 4
Degree of protection from rear side	IP 20, NEMA: Type 1
Humidity	0-95 % RH none condensing
Power supply	9-34 VDC, SELV or Class 2
Power consumption	< 3.0 W
Installation category	CAT II
Flame rated	V0 (E45329)
Display	10.92 cm (4.3 inch) colour TFT 480x272
Keyboard	28 keys
Led indicators	2
Pollution degree	2
Max altitude	2000 m
Approval	 

2.2 Cleaning

How to clean the unit

Only front side shall be cleaned by using a dry, soft cloth. A good choice would be the microfiber type of cloth and gently wipe the CA 511 in order to not scratch the display or the overlay. If the dry cloth did not completely remove the dirt, do not press harder in an attempt to scrub it off. If necessary, moisten the cloth by adding a small amount of water with thin solution of mild detergent and try again. Never use detergent with polish or solvent which can have an impact of the plastic surface.

This page is intentionally left blank.



Declaration of Conformity

**As defined by:
EMC Directive 2014/30/EU, RoHS II Directive 2011/65/EU**

EN	EC Declaration of Conformity	SV	EG-försäkran om överensstämmelse
DE	EG-Konformitätserklärung	NO	EUs Samsvarserklæring
FR	Déclaration de Conformité CE	DA	EC-Overensstemmelseserklæring
NL	EC-Overeenkomstigheidsverklaring	FI	EU-Vaatimustenmukaisuusvakuutus
ES	Declaración de conformidad CE	ET	EÜ Vastavuse deklaratsioon
PT	Declaração de conformidade CE	PL	Deklaracja zgodności WE
IT	Dichiarazione di conformità CE	CS	Prohlášení o shodě ES
EL	Δήλωση εναρμόνισης ΕΚ	SK	EC Vyhlásenie o zhode
TR	AT Uygunluk Beyanı	HU	EK Megfelelőségi nyilatkozat

Sulzer Pumps Sweden AB, Rökerigatan 20, SE-121 62 Johanneshov, Sweden

EN:	Name and address of the person authorised to compile the technical file to the authorities on request:
DE:	Name und Adresse der Person, die berechtigt ist, das technische Datenblatt den Behörden auf Anfrage zusammenzustellen:
FR:	Nom et adresse de la personne autorisée pour générer le fichier technique auprès des autorités sur demande :
NL:	Naam en adres van de persoon die geautoriseerd is voor het op verzoek samenstellen van het technisch bestand:
ES:	Nombre y dirección de la persona autorizada para compilar a pedido el archivo técnico destinado a las autoridades:
PT:	Nome e endereço da pessoa autorizada a compilar o ficheiro técnico para as autoridades, caso solicitado:
IT:	Il nome e l'indirizzo della persona autorizzata a compilare la documentazione tecnica per le autorità dietro richiesta::
EL:	Όνομα και διεύθυνση του ατόμου που είναι εξουσιοδοτημένο για τη σύνταξη του τεχνικού φακέλου προς τις αρχές επί τη αιτησήει:
TR:	Yetkili makamlara istek üzerine teknik dosyayı hazırlamaya yetkili olan kişinin adı ve adresi:
SV:	Namn och adress på den person som är auktoriserad att utarbete den tekniska dokumentationen till myndigheterna:
NO:	Navn og adresse på den personen som har tillatelse til å sette sammen den tekniske filen til myndighetene ved forespørsel:
DA:	Navn og adresse på den person, der har tilladelse til at samle den tekniske dokumentation til myndighederne ved anmodning om dette:
FI:	Viranomaisten vaatiessa teknisten tietojen lomaketta lomakkeen valtuutetun laatijan nimi ja osoite:
ET:	Isiku nimi ja aadress, kelle pädevuses on koostada nõudmise korral ametiasutustele tehnilist dokumentatsiooni:
PL:	Nazwisko i adres osoby upoważnionej do przygotowania dokumentacji technicznej w przypadku, gdy jest ona wymagana przez władze:
CS:	Jméno a adresa osoby oprávněné na vyžádání ze strany úřadů vytvořit soubor technické dokumentace:
SK:	Meno a adresa osoby oprávnenej na zostavenie technického súboru pre úrady na požiadanie:
HU:	Asmens, jgalioti valdzios institucijoms pareikalavus sudaryti techninę bylą, vardas, pavardė ir adresas:

Frank Ennenbach, Director Product Safety and Regulations, Sulzer Management AG , Neuwiesenstrasse 15, 8401 Winterthur, Switzerland

EN:	Declare under our sole responsibility that the products:	SV:	Försäkrar under eget ansvar att produkterna:
DE:	Erklärt eigenverantwortlich dass die Produkte:	NO:	Erklærer på eget ansvar, at følgende produkter
FR:	Déclarons sous notre seule responsabilité que les produits:	DA:	Erklærer på eget ansvar, at følgende produkter:
NL:	Verklaren geheel onder eigen verantwoordelijkheid dat de producten:	FI:	Vakuutamme yksinomaan omalla vastuullamme, että seuraavat tuotteet
ES:	Declaramos bajo nuestra exclusiva responsabilidad que los productos:	ET:	Deklareerime ainuvastutajana, et tooted:
PT:	Declaramos sob nossa unia responsabilidade que los produtos:	PL:	Deklaruje z pełna odpowiedzialnością, że urządzenia typu:
IT:	Dichiariamo sotto la nostra esclusiva responsabilità che i prodotti:	CS:	Prohlašuje na vlastní odpovědnost, že výrobky:
EL:	Δηλώνουμε με αποκλειστική μας ευθύνη ότι τα προϊόντα:	SK:	Vyhlasujeme na našu zodpovednosť, že výrobky:
TR:	Sorumluluk tamamen bize ait olarak beyan ederiz ki aşağıdaki ürünler:	HU:	Felelősségünk teljes tudatában kijelentjük, hogy a termékek:

Graphical operator interface type ABS CA 511

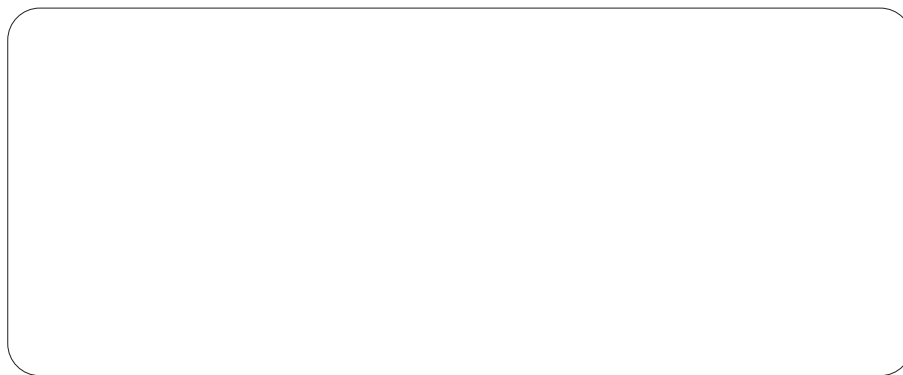
EN:	to which this declaration relates are in conformity with the following standards or other normative documents:
DE:	auf die sich diese Erklärung bezieht, den folgenden und/oder anderen normativen Dokumenten entsprechen:
FR:	auxquels se réfère cette déclaration sont conformes aux normes ou à d'autres documents normatifs:
NL:	waarop deze verklaring betrekking heeft, in overeenstemming zijn met de volgende normen of andere normatieve documenten:
ES:	objeto de esta declaración, están conformes con las siguientes normas u otros documentos normativos:
PT:	aque se refere esta declaração está em conformidade com as Normas ou outros documentos normativos:
IT:	ai quali questa dichiarazione si riferisce sono conformi alla seguente norma o ad altri documenti normativi:
EL:	τα οποία αφορά η παρούσα δήλωση είναι σύμφωνα με τα ακόλουθα πρότυπα ή άλλα κανονιστικά έγγραφα:
TR:	bu beyanın konusunu oluşturmakta olup aşağıdaki standart ve diğer norm belgelerine uygundur:
SV:	som omfattas av denna försäkran är i överensstämmelse med följande standarder eller andra regelgivande dokument:
NO:	som dekkes av denne erklæringen, er i samsvar med følgende standarder eller andre normative dokumenter:
DA:	som er omfattet af denne erklæring, er i overensstemmelse med følgende standarder eller andre normative dokumenter:
FI:	joihin tämä vakuutus liittyy, ovat seuraavien standardien sekä muiden sääntöamäärittävien asiakirjojen mukaisia:
ET:	mida käespõev deklaratsioon puudutab, on vastavuses järgmiste standardite ja muude normatiivdokumentidega:
PL:	do których odnosi się niniejsza deklaracja sa zgodne z następującymi normami lub innymi dokumentami normatywnymi:
CS:	na které se toto prohlášení vztahuje, jsou v souladu s následujícími normami nebo jinými normativními dokumenty:
SK:	na ktoré sa vzahuje toto vyhlásenie, zodpovedajú nasledujúcimi štandardom a iným záväzným dokumentom:
HU:	amelyekre ez a nyilatkozat vonatkozik, megfelelnek a következőszabványokban és egyéb szabályozó dokumentumokban leírtaknak:

EMC: EN 61326-1:2013

Stockholm 017-06-28



Per Askenström
Sulzer Pumps Sweden AB



SULZER

Sulzer Pump Solutions Ireland Ltd., Clonard Road, Wexford, Ireland
Tel. +353 53 91 63 200, Fax +353 53 91 42 335, www.sulzer.com