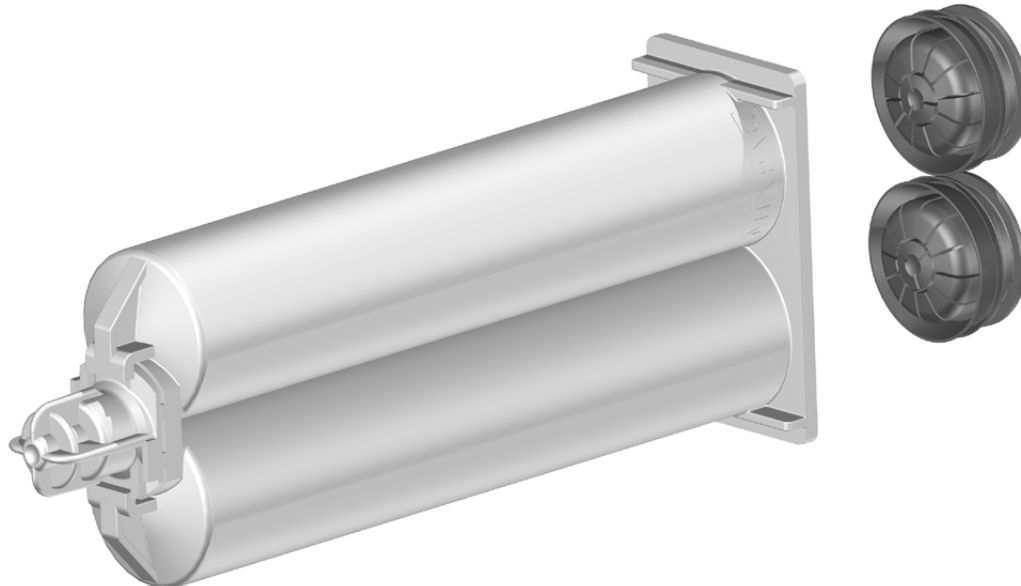


## A-System 50 Industrial, Kit

Cartridge Assembly 50ml / 1:1



Part number	Article	Description	Units / box
110353	AA 050-01-10-01	Set 50, 1:1, PP white, self-venting lip seal pistons, preassembled cap	1'250
112781	AA 050-01-10-02	Set 50, 1:1, PP white, self-venting lip seal pistons with EPDM O-ring, preassembled cap	1'250
110507	AA 050-01-10-03	Set 50, 1:1, PP white, lip seal pistons with EPDM O-ring, preassembled cap	1'250
116221	AA 050-01-30-01	Set 50, 1:1, PA white, self-venting lip seal pistons, preassembled cap	1'250
116415	AA 050-01-30-02	Set 50, 1:1, PA white, self-venting lip seal pistons with EPDM O-ring, preassembled cap	1'250

### Headquarters

Sulzer Mixpac Ltd  
 phone +41 81 772 20 00  
 fax +41 81 772 20 01  
 mixpac@sulzer.com  
 www.sulzerchemtech.com

### USA, South America, Canada and Mexico

Sulzer Mixpac USA Inc.  
 phone +1 603 893 27 27  
 fax +1 603 893 37 37  
 info@SulzerMixpacUSA.com  
 www.sulzerchemtech.com

### UK and Ireland

Sulzer Mixpac UK  
 phone +44 1536 31 29 90  
 fax +44 1536 31 29 85  
 mixpac@sulzer.com  
 www.sulzerchemtech.com

### Asia Pacific

Sulzer Mixpac China  
 phone +86 21 6430 68 68  
 fax +86 21 6430 66 88  
 mixpac@sulzer.com  
 www.sulzerchemtech.com

## A-System 50 Industrial, Set

Cartridge Assembly 50ml / 1:1



Part number	Article	Description	Units / box
152522	AA 050-01-10-31	Set 50, 1:1, PP white, self-venting lip seal pistons, cap preassembled	1250
152523	AA 050-01-30-31	Set 50, 1:1, PA white, self-venting lip seal pistons, cap preassembled	1250

### Headquarters

Sulzer Mixpac Ltd  
 phone +41 81 772 20 00  
 fax +41 81 772 20 01  
 mixpac@sulzer.com  
 www.sulzerchemtech.com

### USA, South America, Canada and Mexico

Sulzer Mixpac USA Inc.  
 phone +1 603 893 27 27  
 fax +1 603 893 37 37  
 info@SulzerMixpacUSA.com  
 www.sulzerchemtech.com

### UK and Ireland

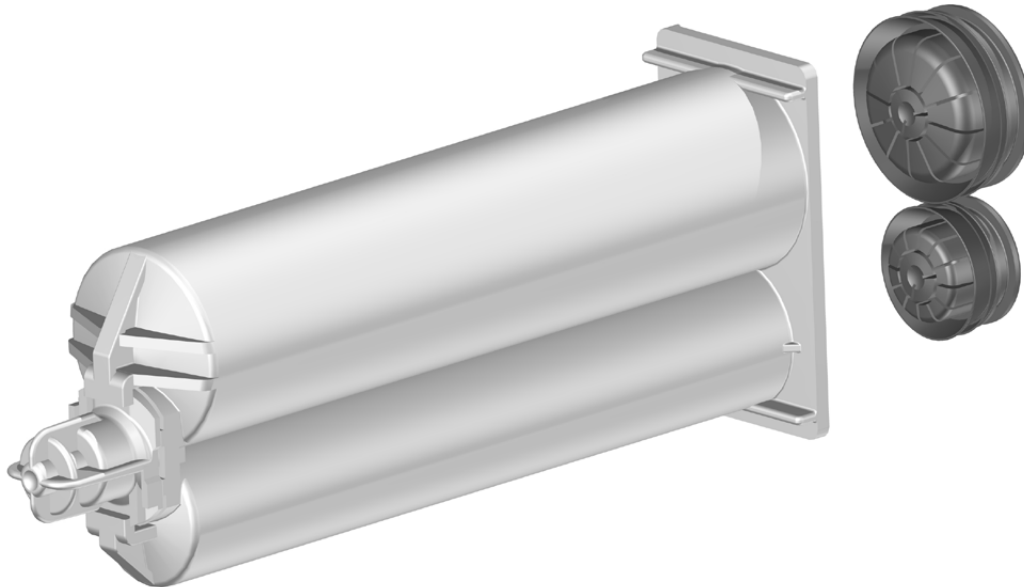
Sulzer Mixpac UK  
 phone +44 1536 31 29 90  
 fax +44 1536 31 29 85  
 mixpac@sulzer.com  
 www.sulzerchemtech.com

### Asia Pacific

Sulzer Mixpac China  
 phone +86 21 6430 68 68  
 fax +86 21 6430 66 88  
 mixpac@sulzer.com  
 www.sulzerchemtech.com

## A-System 50 Industrial, Kit

Cartridge Assembly 50ml / 2:1



Part number	Article	Description	Units / box
111201	<b>AA 050-02-10-01</b>	Set 50, 2:1, PP white, self-venting lip seal pistons, preassembled cap	1'250
111374	<b>AA 050-02-10-03</b>	Set 50, 2:1, PP white, lip seal pistons with EPDM O-ring, preassembled cap	1'250
116416	<b>AA 050-02-30-01</b>	Set 50, 2:1, PA natural, self-venting lip seal pistons, preassembled cap	1'250

### Headquarters

Sulzer Mixpac Ltd  
 phone +41 81 772 20 00  
 fax +41 81 772 20 01  
 mixpac@sulzer.com  
 www.sulzerchemtech.com

### USA, South America, Canada and Mexico

Sulzer Mixpac USA Inc.  
 phone +1 603 893 27 27  
 fax +1 603 893 37 37  
 info@SulzerMixpacUSA.com  
 www.sulzerchemtech.com

### UK and Ireland

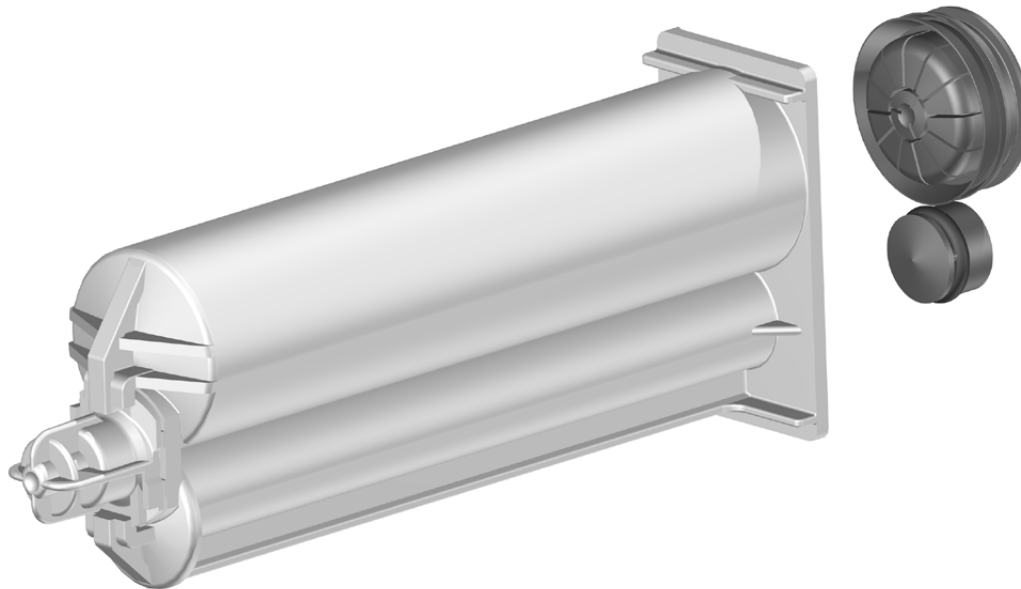
Sulzer Mixpac UK  
 phone +44 1536 31 29 90  
 fax +44 1536 31 29 85  
 mixpac@sulzer.com  
 www.sulzerchemtech.com

### Asia Pacific

Sulzer Mixpac China  
 phone +86 21 6430 68 68  
 fax +86 21 6430 66 88  
 mixpac@sulzer.com  
 www.sulzerchemtech.com

## A-System 50 Industrial, Kit

Cartridge Assembly 42ml / 4:1



Part number	Article	Description	Units / box
116417	AA 050-04-10-01	Set 50, 4:1, PP white, A-piston airventing lip seal piston, B-piston with EPDM O-ring, preassembled cap	1'250

### Headquarters

Sulzer Mixpac Ltd  
 phone +41 81 772 20 00  
 fax +41 81 772 20 01  
 mixpac@sulzer.com  
 www.sulzerchemtech.com

### USA, South America, Canada and Mexico

Sulzer Mixpac USA Inc.  
 phone +1 603 893 27 27  
 fax +1 603 893 37 37  
 info@SulzerMixpacUSA.com  
 www.sulzerchemtech.com

### UK and Ireland

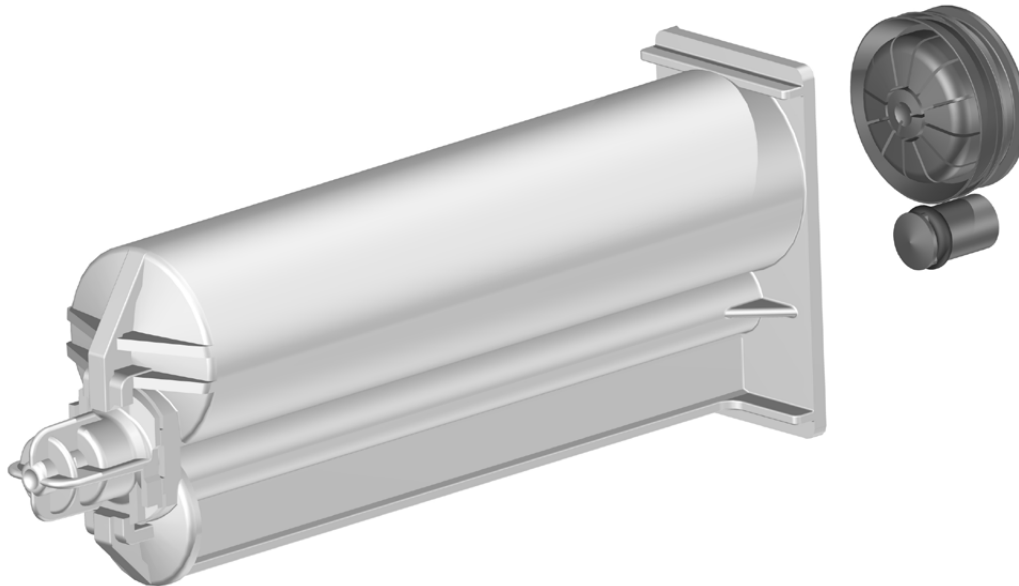
Sulzer Mixpac UK  
 phone +44 1536 31 29 90  
 fax +44 1536 31 29 85  
 mixpac@sulzer.com  
 www.sulzerchemtech.com

### Asia Pacific

Sulzer Mixpac China  
 phone +86 21 6430 68 68  
 fax +86 21 6430 66 88  
 mixpac@sulzer.com  
 www.sulzerchemtech.com

## A-System 50 Industrial, Kit

Cartridge Assembly 37ml / 10:1



Part number	Article	Description	Units / box
116418	AA 050-10-10-01	Set 50, 10:1, PP white, A-piston airventing lip seal piston, B-piston with EPDM O-ring, preassembled cap	1'250
116419	AA 050-10-30-01	Set 50, 10:1, PA natural, A-piston airventing lip seal piston, B-piston lip seal piston, preassembled cap	1'250

### Headquarters

Sulzer Mixpac Ltd  
 phone +41 81 772 20 00  
 fax +41 81 772 20 01  
 mixpac@sulzer.com  
 www.sulzerchemtech.com

### USA, South America, Canada and Mexico

Sulzer Mixpac USA Inc.  
 phone +1 603 893 27 27  
 fax +1 603 893 37 37  
 info@SulzerMixpacUSA.com  
 www.sulzerchemtech.com

### UK and Ireland

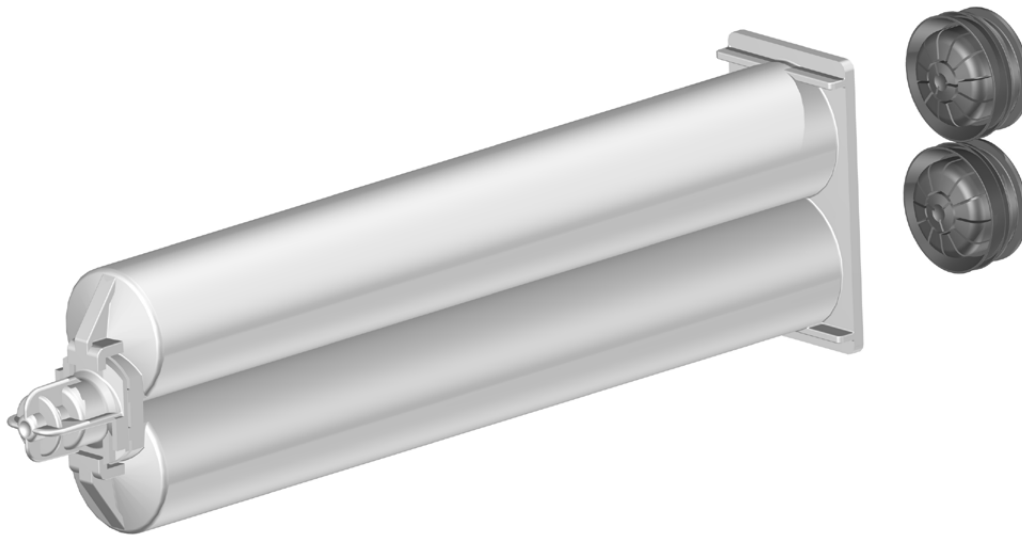
Sulzer Mixpac UK  
 phone +44 1536 31 29 90  
 fax +44 1536 31 29 85  
 mixpac@sulzer.com  
 www.sulzerchemtech.com

### Asia Pacific

Sulzer Mixpac China  
 phone +86 21 6430 68 68  
 fax +86 21 6430 66 88  
 mixpac@sulzer.com  
 www.sulzerchemtech.com

# A-System 75 Industrial, Kit

Cartridge Assembly 75ml / 1:1



Part number	Article	Description	Units / box
116107	AA 075-01-10-01	Set 75, 1:1, PP white, air venting lip seal pistons, preassembled cap	625

**Headquarters**

Sulzer Mixpac Ltd  
phone +41 81 772 20 00  
fax +41 81 772 20 01  
mixpac@sulzer.com  
www.sulzerchemtech.com

**USA, South America,  
Canada and Mexico**

Sulzer Mixpac USA Inc.  
phone +1 603 893 27 27  
fax +1 603 893 37 37  
info@SulzerMixpacUSA.com  
www.sulzerchemtech.com

**UK and Ireland**

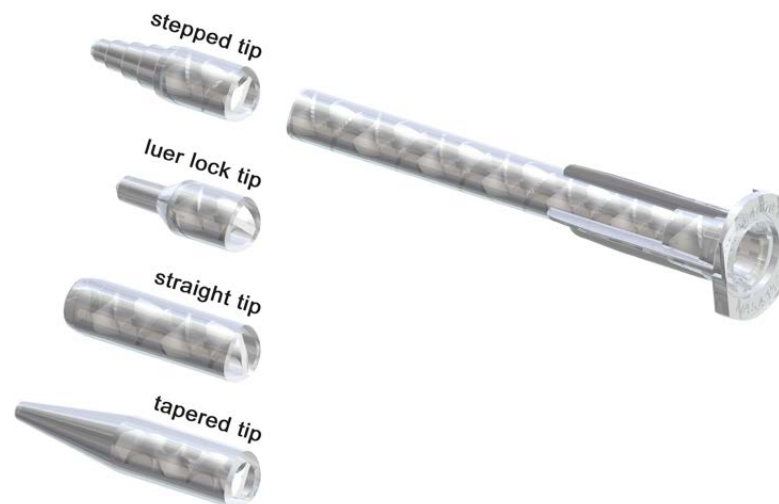
Sulzer Mixpac UK  
phone +44 1536 31 29 90  
fax +44 1536 31 29 85  
mixpac@sulzer.com  
www.sulzerchemtech.com

**Asia Pacific**

Sulzer Mixpac China  
phone +86 21 6430 68 68  
fax +86 21 6430 66 88  
mixpac@sulzer.com  
www.sulzerchemtech.com

## A-System Industrial / Q-System Construction

Mixer Helix for System A/Q, 1:1/2:1



Part number	Article	Description	Elements	Ø (mm)	L (mm)	Vol. (ml)	Units / box
102361	<b>MAH 03-07S</b>	Mixer helix, 1:1/2:1 white elements, tapered tip	7	3.0	34	0.24	15'000
102362	<b>MAH 03-13S</b>	Mixer helix, 1:1/2:1 white elements, tapered tip	13	3.0	57	0.36	12'000
102364	<b>MAH 03-17S</b>	Mixer helix, 1:1/2:1 white elements, tapered tip	17	3.0	63	0.34	10'000
102366	<b>MAH 04-13S</b>	Mixer helix, 1:1/2:1 white elements, tapered tip	13	4.0	66	0.60	10'000
102367	<b>MAH 04-17D</b>	Mixer helix, 1:1/2:1 white elements, straight tip	17	4.0	78	0.75	7'000
102368	<b>MAH 04-17S</b>	Mixer helix, 1:1/2:1 white elements, tapered tip	17	4.0	82	0.75	7'500
102369	<b>MAH 05-07T</b>	Mixer helix, 1:1/2:1 white elements, stepped tip	7	5.4	56	0.80	10'000
102370	<b>MAH 05-13D</b>	Mixer helix, 1:1/2:1 white elements, straight tip	13	5.4	79	1.36	7'000

### Headquarters

Sulzer Mixpac Ltd  
phone +41 81 772 20 00  
fax +41 81 772 20 01  
mixpac@sulzer.com  
www.sulzerchemtech.com

### USA, South America, Canada and Mexico

Sulzer Mixpac USA Inc.  
phone +1 603 893 27 27  
fax +1 603 893 37 37  
info@SulzerMixpacUSA.com  
www.sulzerchemtech.com

### UK and Ireland

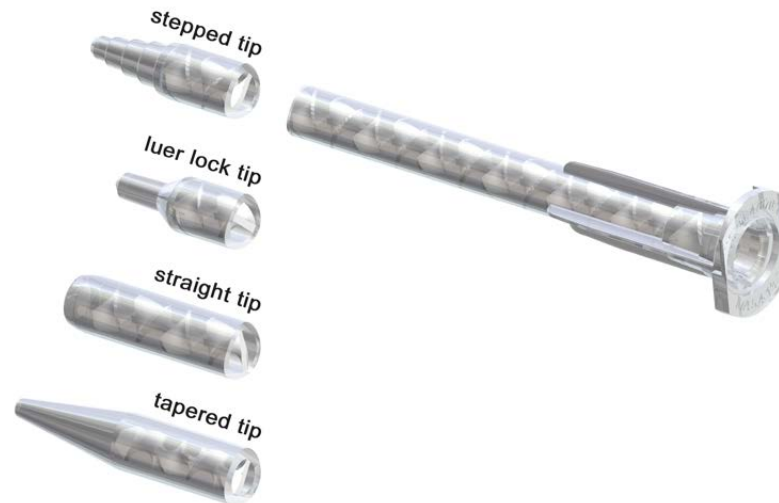
Sulzer Mixpac UK  
phone +44 1536 31 29 90  
fax +44 1536 31 29 85  
mixpac@sulzer.com  
www.sulzerchemtech.com

### Asia Pacific

Sulzer Mixpac China  
phone +86 21 6430 68 68  
fax +86 21 6430 66 88  
mixpac@sulzer.com  
www.sulzerchemtech.com

## A-System Industrial / Q-System Construction

Mixer Helix for System A/Q, 1:1/2:1



Part number	Article	Description	Elements	Ø (mm)	L (mm)	Vol. (ml)	Units / box
102371	<b>MAH 05-13T</b>	Mixer helix, 1:1/2:1 white elements, stepped tip	13	5.4	85	1.36	6'500
102360	<b>MAH 0517-0413T</b>	Mixer helix, 1:1/2:1 white elements, 17 elements 5.3, 13 elements 4.0, stepped tip	17+13	5.4/4.0	150	2.07	4'000
102372	<b>MAH 05-17T</b>	Mixer helix, 1:1/2:1 white elements, stepped tip	17	5.4	104	1.68	4'000
102373	<b>MAH 05-21T</b>	Mixer helix, 1:1/2:1 white elements, stepped tip	21	5.4	124	2.01	3'000
102377	<b>MAH 06-12T</b>	Mixer helix, 1:1/2:1 white elements, stepped tip	12	6.3	97	2.08	4'500
102378	<b>MAH 06-17T</b>	Mixer helix, 1:1/2:1 white elements, stepped tip	17	6.3	128.5	2.94	3'000
102379	<b>MAH 06-21L</b>	Mixer helix, 1:1/2:1 white elements, luer lock tip	21	6.3	151	3.33	4'000
102380	<b>MAH 06-21T</b>	Mixer helix, 1:1/2:1 white elements, stepped tip	21	6.3	153	3.57	2'500

### Headquarters

Sulzer Mixpac Ltd  
 phone +41 81 772 20 00  
 fax +41 81 772 20 01  
 mixpac@sulzer.com  
 www.sulzerchemtech.com

### USA, South America, Canada and Mexico

Sulzer Mixpac USA Inc.  
 phone +1 603 893 27 27  
 fax +1 603 893 37 37  
 info@SulzerMixpacUSA.com  
 www.sulzerchemtech.com

### UK and Ireland

Sulzer Mixpac UK  
 phone +44 1536 31 29 90  
 fax +44 1536 31 29 85  
 mixpac@sulzer.com  
 www.sulzerchemtech.com

### Asia Pacific

Sulzer Mixpac China  
 phone +86 21 6430 68 68  
 fax +86 21 6430 66 88  
 mixpac@sulzer.com  
 www.sulzerchemtech.com



## A-System Industrial / Q-System Construction

Mixer Helix for System A/Q, 4:1/10:1



Part number	Article	Description	Elements	Ø (mm)	L (mm)	Vol. (ml)	Units / box
102535	<b>MAHX 04-17S</b>	Mixer helix, 4:1/10:1 orange elements, tapered tip	17	4.0	81.6	0.75	7'500
102536	<b>MAHX 05-17T</b>	Mixer helix, 4:1/10:1 orange elements, stepped tip	17	5.4	103.4	1.68	4'000

### Headquarters

Sulzer Mixpac Ltd  
phone +41 81 772 20 00  
fax +41 81 772 20 01  
mixpac@sulzer.com  
www.sulzerchemtech.com

### USA, South America, Canada and Mexico

Sulzer Mixpac USA Inc.  
phone +1 603 893 27 27  
fax +1 603 893 37 37  
info@SulzerMixpacUSA.com  
www.sulzerchemtech.com

### UK and Ireland

Sulzer Mixpac UK  
phone +44 1536 31 29 90  
fax +44 1536 31 29 85  
mixpac@sulzer.com  
www.sulzerchemtech.com

### Asia Pacific

Sulzer Mixpac China  
phone +86 21 6430 68 68  
fax +86 21 6430 66 88  
mixpac@sulzer.com  
www.sulzerchemtech.com

## A-System Industrial / Q-System Construction

Mixer Quadro for System A/Q



Part number	Article	Description	Elements	□ (mm)	L (mm)	Vol. (ml)	Units / box
300028	<b>MAQ 05-16L</b>	Mixer quadro green elements, luer lock tip	16	5.3	83	1.30	5'000
300026	<b>MAQ 05-24L</b>	Mixer quadro green elements, luer lock tip	24	5.3	115	1.90	3'000

### Headquarters

Sulzer Mixpac Ltd  
phone +41 81 772 20 00  
fax +41 81 772 20 01  
mixpac@sulzer.com  
www.sulzerchemtech.com

### USA, South America, Canada and Mexico

Sulzer Mixpac USA Inc.  
phone +1 603 893 27 27  
fax +1 603 893 37 37  
info@SulzerMixpacUSA.com  
www.sulzerchemtech.com

### UK and Ireland

Sulzer Mixpac UK  
phone +44 1536 31 29 90  
fax +44 1536 31 29 85  
mixpac@sulzer.com  
www.sulzerchemtech.com

### Asia Pacific

Sulzer Mixpac China  
phone +86 21 6430 68 68  
fax +86 21 6430 66 88  
mixpac@sulzer.com  
www.sulzerchemtech.com