


SPARE PARTS LIST/ERSATZTEILLISTE/LISTE DE PIÈCES DE RECHANGE
AS 0841 S13/4 D 50Hz Std.& Ex

Valid from Serial Number: 100 -

Page :
 Issue of : 20/10/11
 Supersedes Issue :
 Issue No. : 01,02
 Drawing ref. Nr. : ANS01283-00

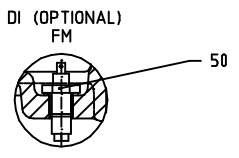
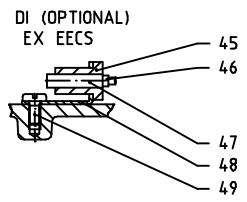
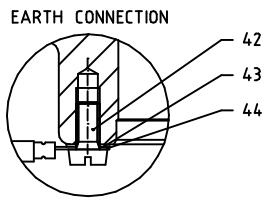
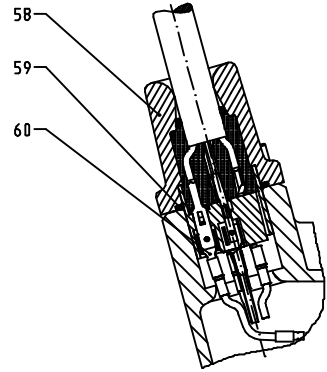
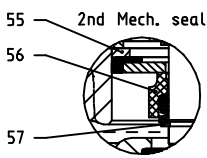
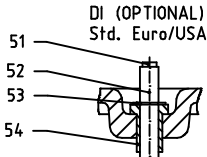
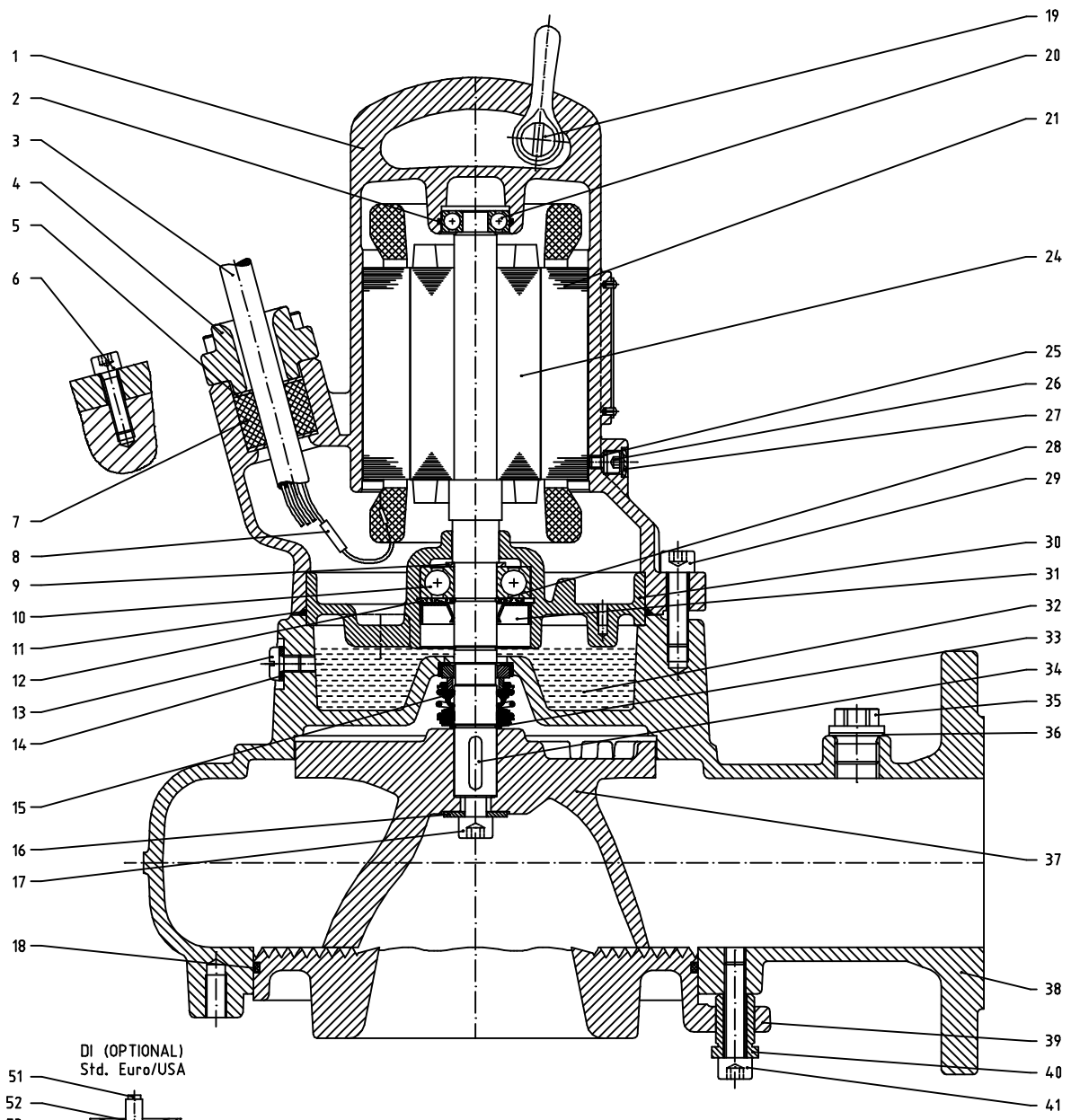
| Pos. No. | Part No. | Kit | Qty | Description | Benennung | Designation | Dimensions /Din | Comments | Price |
|----------|----------|-----|------|------------------|-------------------|------------------------|-------------------|-----------------|-------|
| 1 | 31005033 | | 1 | Motorhousing | Motorgehäuse | Carcasse moteur | | | |
| 2 | 11120829 | A | 1 | O-ring | O-ring | Joint torique | Ø32x3 DIN3771 | Viton | |
| 3 | 43025535 | | | Cable | Kabel | Cable | 7x1.5 Tecwater | 10m | |
| 3 | 43025536 | | | Cable | Kabel | Cable | 7x1.5 Tecwater | 20m | |
| 3 | 43025537 | | | Cable | Kabel | Cable | 7x1.5 Tecwater | 30m | |
| 3 | 43025538 | | | Cable | Kabel | Cable | 7x1.5 Tecwater | 40m | |
| 3 | 43025539 | | | Cable | Kabel | Cable | 7x1.5 Tecwater | 50m | |
| 4 | 31320140 | | 1 | Cable cap | Kabeleinführung | Entree de cable | GG25 (Ø20) | Cable 7x1.5 | |
| 5 | 42015009 | | 2 | Washer | Scheibe | Rondelle | Ø34x18x1.5 | | |
| 6 | 11210238 | | 3 | Cylinder screw | Zyl.Blechschaube | Vis à tête plate | M8x30 DIN912 | | |
| 7 | 43075028 | A | 1 | Cable seal | Kabeldichtung | Joint de kabel | Ø34x14.8x29.5H | Cable 7x1.5 | |
| 8 | 12180044 | | 6 | Butt connection | St. verbinder | Connecteur | Ø1.0-2.5mm | | |
| 9 | 11060005 | | 1 | Support Washer | Tragscheibe | Rondelle | Ø20x28x2 DIN988 | | |
| 10 | 11010048 | | 1 | Ball bearing | Kugellager | Roulement à billes | 6304 Z DIN625 | | |
| 11 | 11120817 | A | 1 | O-ring | O-ring | Joint torique | Ø160x3 DIN3771 | | |
| 12 | 11080010 | A | 1 | Circlip | Sicherungsring | Circlips | Ø52x2 DIN472 | | |
| 13 | 11260100 | | 1 | Lens Head Screw | Flachkopfschraube | Vis à tête plate | M8x10 DIN85 | | |
| 14 | 11650001 | A | 1 | Locking Washer | Klemmscheibe | Rondelle-frein | M8 PVC/NITR | | |
| 15 | 11110001 | | 1 | Mechanical seal | Gleitringdichtung | Garniture mecanique | Ø20mm | | |
| 16 | 11470064 | | 1 | Washer | Scheibe | Rondelle | A10.5 DIN9021 | | |
| 17 | 11210246 | | 1 | Cylinder screw | Zylinderschraube | Vis à tête cylindrique | M10x45 DIN912 | | |
| 18 | 11121027 | | 1 | O-ring | O-ring | Joint torique | Ø190x4 DIN3770 | | |
| 19 | 14990008 | | 1 | Shackle | Schäkel | Manille | DIN82101 | | |
| 20 | 11010013 | | 1 | Ball bearing | Kugellager | Roulement à billes | 6201 2RSR DIN625 | | |
| 21 | 65005458 | | 1 | Stator | Wicklung | Stator | 230/3/50 | | |
| 21 | 65005342 | | 1 | Stator | Wicklung | Stator | 400/3/50 | | |
| 21 | 65005459 | | 1 | Stator | Wicklung | Stator | 500/3/50 | | |
| 24 | 65015164 | | 1 | Rotor with shaft | Rotor mit Welle | Rotor avec arbre | 1.4021 | | |
| 25 | 11130003 | A | 1 | Seal ring | Dichtung | Rondelle joint | Ø6x10 DIN7603 | | |
| 26 | 11210253 | | 1 | Cylinder screw | Zylinderschraube | Vis à tête cylindrique | M6x10 DIN912 | | |
| 27 | 11490020 | A | 1 | Seal washer | Verschlusscheibe | Rondelle joint | DIN470 | | |
| 28 | 11070006 | A | 1 | Circlip | Sicherungsring | Circlip | Ø20x1.2 DIN471 | | |
| 29 | 11210280 | | 3 | Cylinder screw | Zylinderschraube | Vis à tête cylindrique | M10x40 DIN912 | | |
| 30 | 31155023 | | 1 | Bearing lid | Lager deckel | Couvercle palier | GG25 | Std./EX EECS | |
| 30 | 31155035 | | 1 | Bearing lid | Lager deckel | Couvercle palier | GG25 | DI std.Euro/US | |
| 31 | 11090009 | A | 1 | Lip seal | Wellendichtung | Joint à levres | Ø20x52x10 DIN3760 | | |
| 32 | 11030046 | | 0.6L | Oil | Öl | Huile | | Litre | |
| 33 | 11070005 | A | 1 | Circlip | Sicherungsring | Circlip | Ø20x1.2 DIN471 | | |
| 34 | 11630003 | | 1 | Impeller key | Paßfeder | Clavette | 6x6x25 DIN6885 | | |
| 35 | 11560018 | | 1 | Screwed plug | Verschlusschraube | Bouchon filete | R1/2" DIN910 | | |
| 36 | 11130013 | | 1 | Fibrewasher | Fiberdichtung | Joint fibre | Ø21x26x1 | | |
| 37 | 35075344 | | 1 | Impeller | Lauftrad | Roue | Ø177 GG25 | 0841.2 S-Series | |
| 37 | 35075345 | | 1 | Impeller | Lauftrad | Roue | Ø161 GG25 | 0841.3 S-Series | |
| 37 | 35075345 | | 1 | Impeller | Lauftrad | Roue | Ø152 GG25 | 0841.4 S-Series | |


SPARE PARTS LIST/ERSATZTEILLISTE/LISTE DE PIÈCES DE RECHANGE
AS 0841 S13/4 D 50Hz Std.& Ex

Valid from Serial Number: 100 -

Page :
 Issue of : 20/10/11
 Supersedes Issue :
 Issue No. : 01,02
 Drawing ref. Nr. : ANS01283-00

| Pos. No. | Part No. | Kit | Qty | Description | Benennung | Designation | Dimensions /Din | Comments | Price |
|----------|----------|-----|-----|-----------------|-------------------|------------------------|------------------|--------------------|-------|
| 38 | 31055084 | | 1 | Volute | Kreiselkammer | Corps de pompe | GG25 | 0831/0841 S-Series | |
| 39 | 31065044 | | 1 | Bottom plate | Bodenplatte | Plaque de base | GG25 (FHA+Std.) | 0841 S-Series | |
| 40 | 42030500 | | 4 | Adjusting screw | Stellschraube | Vis de réglage | M18x30 | Brass | |
| 41 | 11210246 | | 4 | Cylinder screw | Zylinderschraube | Vis à tête cylindrique | M10x45 DIN912 | | |
| 42 | 11260104 | | 1 | Hexagonal screw | Sechskantschraube | Vis hexagonal | M5x10 DIN85 GV | | |
| 43 | 11500003 | | 1 | Locking washer | Sicherungsscheibe | Toile-frein | A5.1 DIN6797 | | |
| 44 | 12180014 | | 1 | Cable shoe | Flachsteckhülse | Cosse-câble | Ø1.5-2.5mm M5 | | |
| 45 | 43070326 | | 1 | Seal for DI | Dichtung für DI | Joint pour DI | 0 | | |
| 46 | 12180144 | | 1 | Round plug | Rundstecker | Fiche ronde | Ø4mm | | |
| 47 | 42130403 | | 1 | DI-probe | DI-electrode | Sonde DI | 0 | | |
| 48 | 41425032 | | 1 | Bracket | Haltewinkel | Butée | 0 | | |
| 49 | 11260091 | | 1 | Lens Head Screw | Flachkopfschraube | Vis à tête plate | M5x12 DIN85 | | |
| 50 | | | 1 | Not available | nicht lieferbar | pas disponible | | | |
| 51 | 12180144 | | 1 | Round plug | Rundstecker | Fiche ronde | Ø4mm | | |
| 52 | 42135000 | | 1 | DI-probe | DI-electrode | Sonde DI | | | |
| 53 | 11080027 | | 1 | Circlip | Sicherungsscheibe | Circlip | Ø7x0.9mm DIN6799 | | |
| 54 | 43070326 | | 1 | Seal for DI | Dichtung für DI | Joint pour DI | | | |
| 55 | | | | Not available | nicht lieferbar | pas disponible | | | |
| 56 | | | | Not available | nicht lieferbar | pas disponible | | | |
| 57 | | | | Not available | nicht lieferbar | pas disponible | | | |
| 58 | 43025339 | | 1 | Cable EasyFit | Kabel EasyFit | Cable EasyFit | 4x1.5 TecWater | 10m | |
| 58 | 43025340 | | 1 | Cable EasyFit | Kabel EasyFit | Cable EasyFit | 4x1.5 TecWater | 20m | |
| 58 | 43025341 | | 1 | Cable EasyFit | Kabel EasyFit | Cable EasyFit | 4x1.5 TecWater | 30m | |
| 58 | 43025323 | | 1 | Cable EasyFit | Kabel EasyFit | Cable EasyFit | 7x1.5 TecWater | 10m | |
| 58 | 43025325 | | 1 | Cable EasyFit | Kabel EasyFit | Cable EasyFit | 7x1.5 TecWater | 20m | |
| 58 | 43025327 | | 1 | Cable EasyFit | Kabel EasyFit | Cable EasyFit | 7x1.5 TecWater | 30m | |
| 59 | 11120829 | | 1 | O-ring | O-ring | Joint torique | Ø32x3 DIN3771 | Viton | |
| 60 | 12180002 | | 1 | Cable shoe | Flachsteckhülse | Cosse-câble | | | |
| | 61195072 | A | 1 | Seal kit | Dichtungssatz | Jeu de joint complet | | | |



| | | |
|---------------|------------------------------------|--|
| SULZER | SPARE PARTS LIST / ERSATZTEILLISTE | AN-5 01.293 -00 |
| | LIST DE PIÈCES DE RECHANGE | CAS CMBL 61 AHS19291 |
| | AFP 0841 S13/4 50Hz | DATE/NAME - 04-91/22 S.1/14/10m |
| | AFP 0841 S16/4 60Hz | Technical changes reserved Reservierung vorbehalten Tous droits de modifications |
| | Product Center: EPI | |