

SULZER

Massblatt XFP 150G-CB1 Trockeninstallation
Dimension sheet DRY-WELL Installation
Dimensioni installazione a secco
Hoja de dimensiones instalación en seco
Plan d'encombrement installation a sec

No: AN-M.22.597 - 04
Drawn: 05/08/10 D.Wheelan
Issue Date: 01/07/2016
Zänderungen vorbehalten
Technical changes reserved
Con reserva di modiffiche
Con reserva de modificaciones
Sous reserve de modification

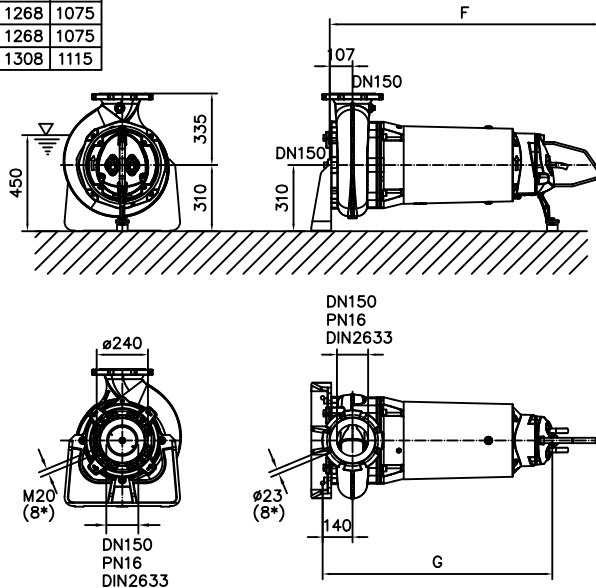
50 Hz**S.I.**

Typ Type Tipo	Gewicht Weight Poids N.C.J. (kg)	Gewicht Weight Poids W.C.J. (kg)	F (mm)	G (mm)
PE 110/4	359	409	1268	1075
PE 140/4	359	409	1268	1075
PE 160/4	389	429	1268	1075
PE 185/4	389	429	1268	1075
PE 220/4	399	449	1308	1115

60 Hz

Typ Type Tipo	Gewicht Weight Poids N.C.J. (kg)	Gewicht Weight Poids W.C.J. (kg)	F (mm)	G (mm)
PE 110/6	369	409	1268	1075
PE 130/4	369	403	1268	1075
PE 150/4	369	403	1268	1075
PE 185/4	383	423	1268	1075
PE 210/4	399	433	1268	1075
PE 250/4	418	462	1308	1115

N.C.J. = No Cooling Jacket
W.C.J. = With Cooling Jacket



Gewicht: Beinhaltet Pumpe, horizontal Stützen und Kabel (50 Hz = 10 m; 60 Hz = 15 m)
Weight: includes pump, horizontal supports and cable (50 Hz = 10 m; 60 Hz = 15 m)
Peso: incluye bomba, soportes horizontales y cable (50 Hz = 10 m; 60 Hz = 15 m)
Peso: incluye bomba, soporte horizontal y cable (50 Hz = 10 m; 60 Hz = 15 m)
Poids : incluant la pompe, les supports horizontaux et le cable (50 Hz = 10 m; 60 Hz = 15 m)

Guss-Allgemeintoleranzen nach DIN1680 - GTB16
General tolerances for castings in acc. to DIN1680-GTB16
Tolleranze generali delle fusioni secondo DIN1680-GTB16
Tolerancias generales para la fundición seg. de DIN1680-GTB16
Tolérance générale de la fonderie selon DIN1680-GTB16

SULZER

Massblatt XFP 150G-CB1 Trockeninstallation
Dimension sheet DRY-WELL Installation
Dimensioni installazione a secco
Hoja de dimensiones instalación en seco
Plan d'encombrement installation a sec

No: AN-M.22.597 - 04
Drawn: 05/08/10 D.Wheelan
Issue Date: 01/07/2016
Zänderungen vorbehalten
Technical changes reserved
Con reserva di modiffiche
Con reserva de modificaciones
Sous reserve de modification

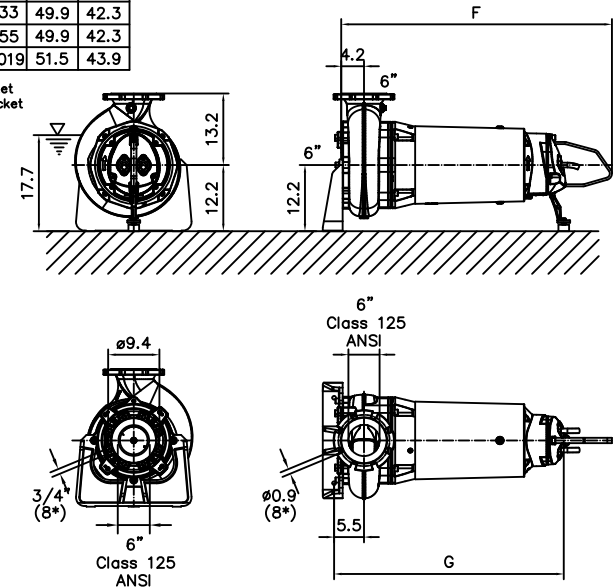
50 Hz**U.S.**

Typ Type Tipo	Gewicht Weight Poids N.C.J. (lbs)	Gewicht Weight Poids W.C.J. (lbs)	F (")	G (")
PE 110/4	792	902	49.9	42.3
PE 140/4	792	902	49.9	42.3
PE 160/4	858	946	49.9	42.3
PE 185/4	858	946	49.9	42.3
PE 220/4	880	990	51.5	43.9

60 Hz

Typ Type Tipo	Gewicht Weight Poids N.C.J. (lbs)	Gewicht Weight Poids W.C.J. (lbs)	F (")	G (")
PE 110/6	814	902	49.9	42.3
PE 130/4	814	889	49.9	42.3
PE 150/4	814	889	49.9	42.3
PE 185/4	845	933	49.9	42.3
PE 210/4	880	955	49.9	42.3
PE 250/4	922	1019	51.5	43.9

N.C.J. = No Cooling Jacket
W.C.J. = With Cooling Jacket



Gewicht: Beinhaltet Pumpe, horizontal Stützen und Kabel (50 Hz = 10 m; 60 Hz = 15 m)
Weight: includes pump, horizontal supports and cable (50 Hz = 10 m; 60 Hz = 15 m)
Peso: incluye bomba, soportes horizontales y cable (50 Hz = 10 m; 60 Hz = 15 m)
Peso: incluye bomba, soporte horizontal y cable (50 Hz = 10 m; 60 Hz = 15 m)
Poids : incluant la pompe, les supports horizontaux et le cable (50 Hz = 10 m; 60 Hz = 15 m)

Guss-Allgemeintoleranzen nach DIN1680 - GTB16
General tolerances for castings in acc. to DIN1680-GTB16
Tolleranze generali delle fusioni secondo DIN1680-GTB16
Tolerancias generales para la fundición seg. de DIN1680-GTB16
Tolérance générale de la fonderie selon DIN1680-GTB16