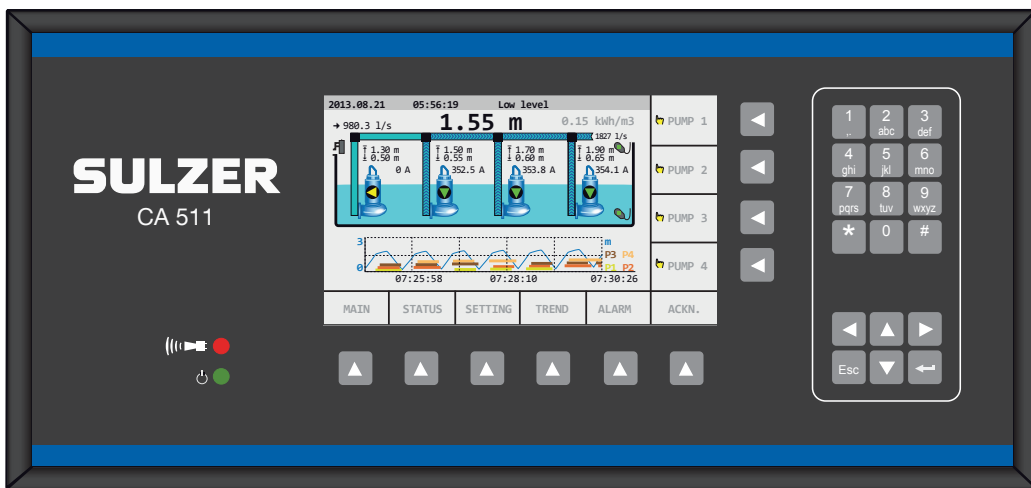


## Graphical Operator Interface Type ABS CA 511



# Graphical Operator Interface Type ABS CA 511

## 1 INSTALLATION

### 1.1 General information

The operator panel CA 511 communicates through the CAN-bus. The operator can easily configure and monitor the system from the operator panel.

### 1.2 Installation of the operator panel

When installing the CA 511 it is required a rectangular hole with the height of 107 mm and width of 220 mm. With the CA 511 are two tin-plates and four screws enclosed to fasten the CA 511 in the hole, see Figure 1 below.

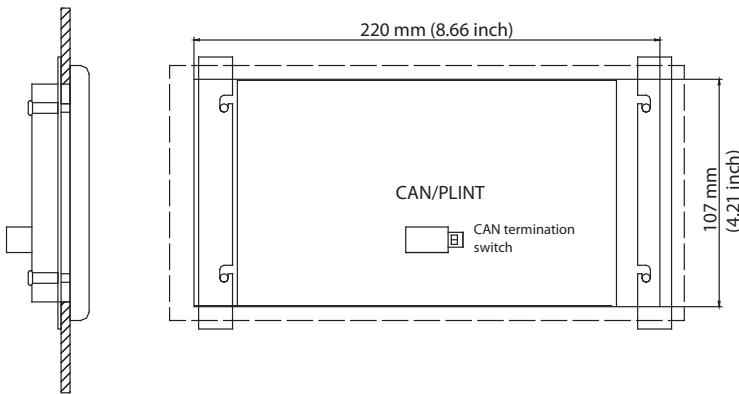


Figure 1 Left figure, panel fasten on a door, right figure, panel with tin-plates seen on the back with dimensions of the required hole.

### 1.3 Power supply

CA 511 is powered from the CAN bus cable and normally get power from PC 441.

### 1.4 CAN bus (Field bus)

A CAN network is of multidrop type which means that all units are connected in parallel on the same cable.

For more detailed description see *PC 441 Installation Manual*.

#### 1.4.1 CAN-socket on the CA 511

The CA 511 has a CAN bus socket. The socket is numbered from 1-5 and is connected to the CAN cable as the table describes.



Pin number	Cable	Description	PC 441 terminals
1. 0V	Green	Common	46
2. CAN_L	White	CAN low	45
3. CAN_SHLD	Shield	Cable shield	44
4. CAN_H	Brown	CAN high	43
5. CAN_V+	Yellow	Positive Power supply (CA 511)	42

All cables shall be connected to the CA 511.

**1.4.2 CAN Termination**

The CAN bus shall be terminated at both cable ends.  
 PC 441 is bus master and has a built-in termination that are always active and should therefore always be placed in one of the endpoints of the cable.  
 For other devices you can activate the selectable termination with a switch marked CAN TERM.  
 The switch is located next to the CAN socket on the back of CA 511.  
 Active termination if CA 511 is placed on the other endpoint of the cable.  
 All other devices between should have their termination switch in Off position.

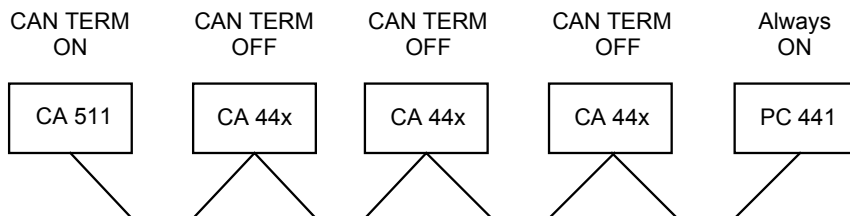


Figure 2 CAN network with connection

**1.4.3 CAN ID**



Only one CA 511 can exist on the CAN bus.  
 CA 511 use a fixed ID on the bus and no ID settings needs to be done.

**1.5 Indicators and settings**

The operator panel has 2 LED indicators. The green SUPPLY/WATCHDOG is lit when the panel has found units to communicate with, otherwise it will flash green. The second red LED is for indicating alarms.  
 No settings for the panel is needed.  
 For operating instructions see *PC 441 User Guide*.

## 2 TECHNICAL DATA

### 2.1 Technical data CA 511

Ambient operation temperature	-20 to +50°C (-4 to +122°F)
Ambient storage temperature	-30 to +80°C (-22 to +176°F)
Degree of protection assembled in cabinet from outside	IP65, NEMA: Type 4
Degree of protection from rear side	IP20, NEMA: Type 1
Humidity	0-95 % RH none condensing
Power supply	9-34 VDC, SELV or Class 2
Power consumption	< 3.0 W
Installation category	CAT II
Flame rated	V0 (E45329)
Display	10.92 cm (4.3 inch) colour TFT 480x272
Keyboard	28 keys
Led indicators	2
Pollution degree	2
Max altitude	2000 m
Approval	 

### 2.2 Cleaning

#### How to clean the unit

Only front side shall be cleaned by using a dry, soft cloth. A good choice would be the microfiber type of cloth and gently wipe the CA 511 in order to not scratch the display or the overlay. If the dry cloth did not completely remove the dirt, do not press harder in an attempt to scrub it off. If necessary, moisten the cloth by adding a small amount of water with thin solution of mild detergent and try again. Never use detergent with polish or solvent which can have an impact of the plastic surface.

**Copyright © 2023 Sulzer. All rights reserved.**

This manual, as well as the software described in it, is furnished under license and may be used or copied only in accordance with the terms of such license. The content of this manual is furnished for informational use only, is subject to change without notice, and should not be construed as a commitment by Sulzer. Sulzer assumes no responsibility or liability for any errors or inaccuracies that may appear in this book.

Except as permitted by such license, no part of this publication may be reproduced, stored in a retrieval system, or transmitted, in any form or by any means, electronic, mechanical, recording, or otherwise, without the prior written permission of Sulzer.

Sulzer reserves the right to alter specifications due to technical developments.

**SULZER**

Sulzer Pump Solutions Ireland Ltd., Clonard Road, Wexford, Ireland  
Tel. +353 53 91 63 200, [www.sulzer.com](http://www.sulzer.com)

