


**SPARE PARTS LIST/ERSATZTEILLISTE/LISTE DE PIÈCES DE RECHANGE**
**AS 0630 S25/4 D 60Hz Std. & FM**

Valid from Serial Number: 100 -

Page :  
 Issue of : 20/10/11  
 Supersedes Issue :  
 Issue No. : 01,02,03  
 Drawing ref. Nr. : ANS12086-02

| Pos. No. | Part No. | Kit | Qty   | Description     | Benennung         | Designation         | Dimensions /Din        | Comments  | Price |
|----------|----------|-----|-------|-----------------|-------------------|---------------------|------------------------|---|-------|
| 1        | 31005034 |     | 1     | Motorhousing    | Motorgehäuse      | Carcasse moteur     |                        |   |       |
| 2        | 11120468 | AB  | 1     | O-ring          | O-ring            | Joint torique       | 47x3 DIN3770           | Viton   |       |
| 3        | 43025563 |     | 1     | Cable           | Kabel             | Cable               | 4x1.5 Tecwater         | 10m   |       |
| 3        | 43025569 |     | 1     | Cable           | Kabel             | Cable               | 4x1.5 Tecwater         | 20m   |       |
| 3        | 43025657 |     | 1     | Cable           | Kabel             | Cable               | 4x1.5 Tecwater         | 30m   |       |
| 3        | 43025535 |     | 1     | Cable           | Kabel             | Cable               | 7x1.5 Tecwater         | 10m   |       |
| 3        | 43025536 |     | 1     | Cable           | Kabel             | Cable               | 7x1.5 Tecwater         | 20m   |       |
| 3        | 43025537 |     | 1     | Cable           | Kabel             | Cable               | 7x1.5 Tecwater         | 30m   |       |
| 3        | 43025203 |     | 1     | Cable           | Kabel             | Cable               | 14/7 SOW-A             | 10m   |       |
| 3        | 43025212 |     | 1     | Cable           | Kabel             | Cable               | 14/7 SOW-A             | 20m   |       |
| 3        | 43025220 |     | 1     | Cable           | Kabel             | Cable               | 14/7 SOW-A             | 30m   |       |
| 4        | 31325008 |     | 1     | Cable cap       | Kabeleinführung   | Entree de cable     | GG25 (Ø12)             | Cable 4x1.5                                     |       |
| 4        | 31320140 |     | 1     | Cable cap       | Kabeleinführung   | Entree de cable     | GG25 (Ø20)             | Cable 4x1.5+3x0.5<br>Cable 7x1.5<br>Cable 14/7  |       |
| 5        | 42015009 |     | 2     | Washer          | Scheibe           | Rondelle            | Ø34x18x1.5             | Cable 4x1.5<br>Cable 4x1.5+3x0.5<br>Cable 7X1.5 |       |
| 5        | 42015005 |     | 2     | Washer          | Scheibe           | Rondelle            | 34x19.5x1.5            | Cable SOW-A 14/7                                |       |
| 6        | 11210238 |     | 4 (2) | Cylinder screw  | Zyl.Blechschaube  | Vis à tête plate    | M8x30 DIN912           | 1.4401 (2) Easyfit                              |       |
| 8        | 43075058 | A   | 1     | Cable seal      | Kabeldichtung     | Joint de kabel      | Ø34x11.5x29.5H         | Cable 4x1.5                                     |       |
| 8        | 43075056 | B   | 1     | Cable seal      | Kabeldichtung     | Joint de kabel      | Ø34x11.5x29.5H (viton) | Cable 4x1.5                                     |       |
| 8        | 43075048 | A   | 1     | Cable seal      | Kabeldichtung     | Joint de kabel      | Ø34x16x29.5H           | Cable 4x1.5+3x0.5<br>Cable 7x1.5 SO7RN-F OZ+    |       |
| 8        | 43075057 | B   | 1     | Cable seal      | Kabeldichtung     | Joint de kabel      | Ø34x16x29.5H (viton)   | Cable 4x1.5+3x0.5<br>Cable 7x1.5 SO7RN-F OZ+    |       |
| 8        | 43075049 | A   | 1     | Cable seal      | Kabeldichtung     | Joint de kabel      | Ø34x16.8x29.5H         | Cable 7x1.5 TL07RN-F                            |       |
| 8        | 43075028 | A   | 1     | Cable seal      | Kabeldichtung     | Joint de kabel      | Ø34x13.8x29.5H         | Cable 7x1.5 Tecwater                            |       |
| 8        | 43075068 | B   | 1     | Cable seal      | Kabeldichtung     | Joint de kabel      | Ø34x16.8x29.5H (Viton) | Cable 7x1.5 TL07RN-F                            |       |
| 8        | 43075034 | B   | 1     | Cable seal      | Kabeldichtung     | Joint de kabel      | Ø34x13.8x29.5H (Viton) | Cable 7x1.5 Tecwater                            |       |
| 8        | 43075029 | A   | 1     | Cable seal      | Kabeldichtung     | Joint de kabel      | Ø34x18x29.5H           | Cable SOW-A 14/7                                |       |
| 8        | 43075035 | B   | 1     | Cable seal      | Kabeldichtung     | Joint de kabel      | Ø34x18x29.5H (viton)   | Cable SOW-A 14/7                                |       |
| 9        | 12180044 |     | 4     | Butt connection | St. verbinder     | Connecteur          | Ø1.0-2.5mm             |   |       |
| 10       | 11060006 |     | 1     | Support washer  | Tragscheibe       | Rondelle            | Ø25x35x2 DIN988        |   |       |
| 11       | 11020006 |     | 1     | Ball bearing    | Kugellager        | Roulement à billes  | 5205 B. DIN628         |   |       |
| 12       | 11120817 | A   | 1     | O-ring          | O-ring            | Joint torique       | Ø160x3 DIN3771         |   |       |
| 12       | 11120870 | B   | 1     | O-ring          | O-ring            | Joint torique       | Ø160x3 DIN3771         | Viton   |       |
| 13       | 11080010 | AB  | 1     | Circlip         | Sicherungsring    | Circlips            | Ø52x2 DIN472           |   |       |
| 14       | 11110001 |     | 1     | Mechanical seal | Gleitringdichtung | Garniture mecanique | Ø20mm                  |   |       |
| 14       | 11110149 |     | 1     | Mechanical seal | Gleitringdichtung | Garniture mecanique | Ø20mm (Viton)          | Viton   |       |
| 15       | 11470072 |     | 1     | Washer          | Scheibe           | Rondelle            | Ø8.4 DIN9021           | 1.4301  |       |
| 16       | 11200230 |     | 1     | Hexagonal screw | Sechskantschraube | Vis hexagonal       | M8x16 DIN933           |   |       |

# SULZER

## SPARE PARTS LIST/ERSATZTEILLISTE/LISTE DE PIÈCES DE RECHANGE

### AS 0630 S25/4 D 60Hz Std. & FM

Valid from Serial Number: 100 -

Page :  
 Issue of : 20/10/11  
 Supersedes Issue :  
 Issue No. : 01,02,03  
 Drawing ref. Nr. : ANS12086-02

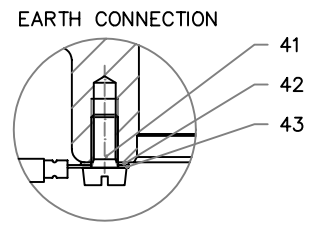
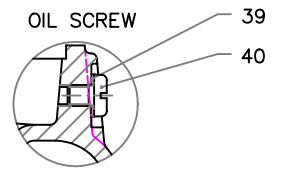
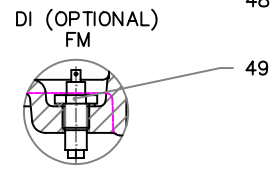
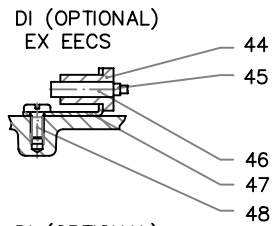
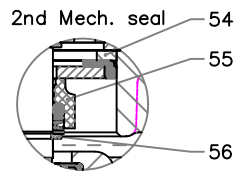
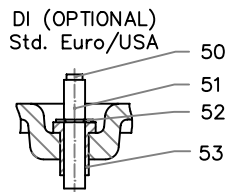
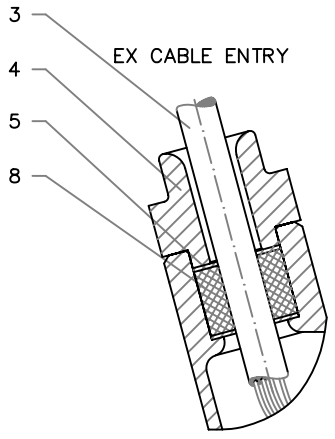
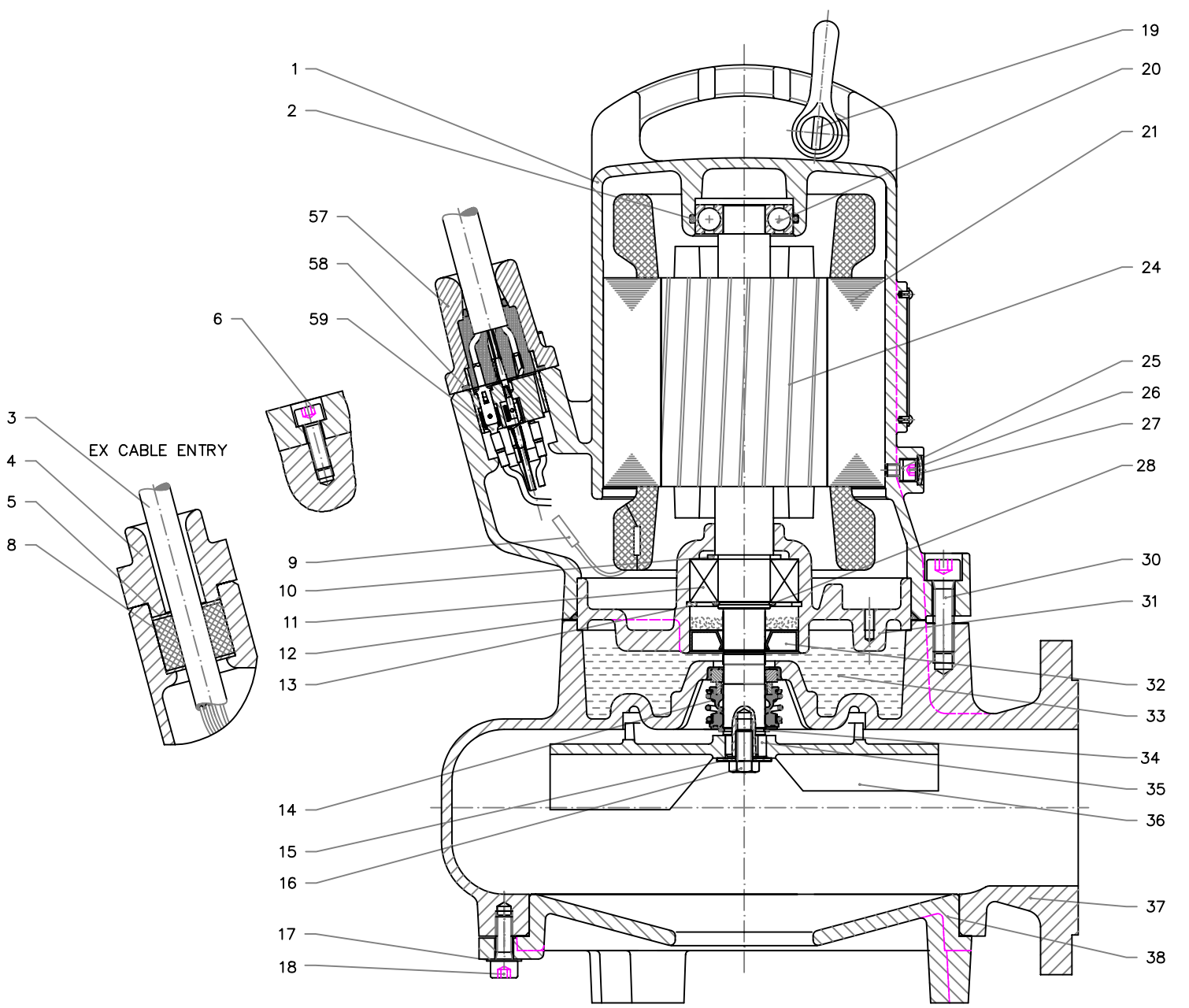
| Pos. No. | Part No. | Kit | Qty  | Description     | Benennung         | Designation            | Dimensions /Din   | Comments               | Price |
|----------|----------|-----|------|-----------------|-------------------|------------------------|-------------------|------------------------|-------|
| 17       | 11470072 |     | 3    | Washer          | Scheibe           | Rondelle               | Ø8.4 DIN9021      | 1.4301                 |       |
| 18       | 11210243 |     | 3    | Cylinder screw  | Zylinderschraube  | Vis à tête cylindrique | M8x25 DIN912      | 1.4401                 |       |
| 19       | 14990008 |     | 1    | Shackle         | Schäkel           | Manille                | DIN82101          |                        |       |
| 20       | 11010017 |     | 1    | Ball bearing    | Kugellager        | Roulement à billes     | 6204 ZR.C3 DIN625 |                        |       |
| 21       | 65005502 |     | 1    | Stator          | Wicklung          | Stator                 | 208/3/60          |                        |       |
| 21       | 65005525 |     | 1    | Stator          | Wicklung          | Stator                 | 230/3/60          |                        |       |
| 21       | 65005505 |     | 1    | Stator          | Wicklung          | Stator                 | 380/3/60Hz        |                        |       |
| 21       | 65005500 |     | 1    | Stator          | Wicklung          | Stator                 | 460/3/60          |                        |       |
| 21       | 65005501 |     | 1    | Stator          | Wicklung          | Stator                 | 575/3/60          |                        |       |
| 22       | 11550024 |     | 4    | Rivet           | Halbrundkerbnägel | Rivet                  | Ø3x4 DIN1476      |                        |       |
| 24       | 65015084 |     | 1    | Rotor shaft     | Rotor mit Welle   | Rotor avec arbre       | 1.4201            |                        |       |
| 24       | 65015085 |     | 1    | Rotor shaft     | Rotor mit Welle   | Rotor avec arbre       | 1.4401            |                        |       |
| 25       | 11130003 | AB  | 1    | Seal ring       | Dichtung          | Rondelle joint         | Ø6x10 DIN7603     |                        |       |
| 26       | 11210253 |     | 1    | Cylinder screw  | Zylinderschraube  | Vis à tête cylindrique | M6x10 DIN912      |                        |       |
| 27       | 11490020 | AB  | 1    | Seal washer     | Verschlusscheibe  | Rondelle joint         | DIN470            |                        |       |
| 28       | 11070007 | AB  | 1    | Circlip         | Sicherungsring    | Circlip                | Ø25x1.2 DIN471    |                        |       |
| 30       | 11210239 |     | 3    | Cylinder screw  | Zylinderschraube  | Vis à tête cylindrique | M10x35 DIN912     |                        |       |
| 31       | 31155024 |     | 1    | Bearing lid     | Lager deckel      | Couvercle palier       | GG25              | Std./ DI-probe Ex Euro |       |
| 31       | 31155036 |     | 1    | Bearing lid     | Lager deckel      | Couvercle palier       | GG25              | Std.Euro/US DI-probe   |       |
| 31       | 31155026 |     | 1    | Bearing lid     | Lager deckel      | Couvercle palier       | GG25              | With FM DI-probe       |       |
| 32       | 11090009 | AB  | 1    | Lip seal        | Wellendichtung    | Joint à levres         | Ø20x52x10 DIN3760 |                        |       |
| 33       | 11030046 |     | 0.56 | Oil             | Öl                | Huile                  |                   |                        |       |
| 34       | 11070005 | AB  | 1    | Circlip         | Sicherungsring    | Circlip                | Ø20x1.2 DIN471    | 1.4122                 |       |
| 35       | 11630128 |     | 1    | Impeller key    | Paßfeder          | Clavette               | 6x6x10 DIN6885    |                        |       |
| 36       | 35075123 |     | 1    | Impeller        | Lauftrad          | Roue                   | Ø175              |                        |       |
| 37       | 31055021 |     | 1    | Volute          | Kreiselkammer     | Corps de pompe         | GG25              |                        |       |
| 38       | 31065026 |     | 1    | Bottom plate    | Bodenplatte       | Plaque de base         | GG25              |                        |       |
| 38       | 31065021 |     | 1    | Bottom plate    | Bodenplatte       | Plaque de base         | GG25              | FHA                    |       |
| 39       | 11650001 | AB  | 1    | Locking Washer  | Klemmscheibe      | Rondelle-frein         | M8 PVC/NITR       |                        |       |
| 39       | 11120141 | AB  | 1    | O-ring          | O-ring            | Joint torique          | Ø7x3 DIN3771      |                        |       |
| 40       | 11260100 |     | 1    | Lens Head Screw | Flachkopfschraube | Vis à tête plate       | M8x10 DIN85       |                        |       |
| 41       | 11260104 |     | 1    | Hexagonal screw | Sechskantschraube | Vis hexagonal          | M5x10 DIN85 GV    |                        |       |
| 42       | 11500003 |     | 1    | Locking washer  | Sicherungsscheibe | Tole-frein             | A5.1 DIN6797      |                        |       |
| 43       | 12180014 |     | 1    | Cable shoe      | Flachsteckhülse   | Cosse-câble            | Ø1.5-2.5mm        |                        |       |
| 44       |          |     |      | Not available   | nicht lieferbar   | pas disponible         |                   |                        |       |
| 45       |          |     |      | Not available   | nicht lieferbar   | pas disponible         |                   |                        |       |
| 46       |          |     |      | Not available   | nicht lieferbar   | pas disponible         |                   |                        |       |
| 47       |          |     |      | Not available   | nicht lieferbar   | pas disponible         |                   |                        |       |
| 48       |          |     |      | Not available   | nicht lieferbar   | pas disponible         |                   |                        |       |
| 49       | 12120241 |     | 1    | DI-probe        | DI-electrode      | Sonde DI               | M12               | FM                     |       |
| 50       | 12180144 |     | 1    | Round plug      | Rundstecker       | Fiche ronde            | Ø4mm              |                        |       |
| 51       | 42135000 |     | 1    | DI-probe        | DI-electrode      | Sonde DI               |                   |                        |       |


**SPARE PARTS LIST/ERSATZTEILLISTE/LISTE DE PIÈCES DE RECHANGE**
**AS 0630 S25/4 D 60Hz Std. & FM**

Valid from Serial Number: 100 -

Page :  
 Issue of : 20/10/11  
 Supersedes Issue :  
 Issue No. : 01,02,03  
 Drawing ref. Nr. : ANS12086-02

| Pos. No. | Part No. | Kit | Qty  | Description     | Benennung         | Designation          | Dimensions /Din   | Comments             | Price |
|----------|----------|-----|------|-----------------|-------------------|----------------------|-------------------|----------------------|-------|
| 52       | 11080027 |     | 1    | Circlip         | Sicherungsscheibe | Circlip              | Ø7x0.9mm DIN6799  |                      |       |
| 53       | 43070326 |     | 1    | Seal for DI     | Dichtung für DI   | Joint pour DI        |                   |                      |       |
| 54       | 11060014 |     | 1    | Support washer  | Tragscheibe       | Rondelle             | Ø42x52x2.5 DIN988 |                      |       |
| 55       | 11100066 |     | 1    | Mechanical seal | Gleitringdichtung | Garniture mecanique  | Ø20mm             | CARBON-CHROME        |       |
| 56       | 11070006 | AB  | 1    | Circlip         | Sicherungsring    | Circlip              | Ø20x1.2 DIN471    |                      |       |
| 57       | 43025339 |     | 1    | Cable EasyFit   | Kabel EasyFit     | Cable EasyFit        | 4x1.5 TecWater    | 10m                  |       |
| 57       | 43025340 |     | 1    | Cable EasyFit   | Kabel EasyFit     | Cable EasyFit        | 4x1.5 TecWater    | 20m                  |       |
| 57       | 43025341 |     | 1    | Cable EasyFit   | Kabel EasyFit     | Cable EasyFit        | 4x1.5 TecWater    | 30m                  |       |
| 57       | 43025323 |     | 1    | Cable EasyFit   | Kabel EasyFit     | Cable EasyFit        | 7x1.5 TecWater    | 10m                  |       |
| 57       | 43025325 |     | 1    | Cable EasyFit   | Kabel EasyFit     | Cable EasyFit        | 7x1.5 TecWater    | 20m                  |       |
| 57       | 43025327 |     | 1    | Cable EasyFit   | Kabel EasyFit     | Cable EasyFit        | 7x1.5 TecWater    | 30m                  |       |
| 58       | 11120829 |     | 1    | O-ring          | O-ring            | Joint torique        | Ø32x3 DIN3771     | Viton                |       |
| 59       | 12180002 |     | 4(7) | Cable shoe      | Flachsteckhülse   | Cosse-câble          |                   | (7) for 7 core cable |       |
|          | 61195073 | A   | 1    | Seal kit        | Dichtungssatz     | Jeu de joint complet |                   |                      |       |
|          | 61195077 | B   | 1    | Seal kit        | Dichtungssatz     | Jeu de joint complet | Viton             |                      |       |



|               |  |  |
|---------------|--|--|
| <b>SULZER</b> | SPARE PARTS LIST / ERSATZTEILLISTE<br>LIST DE PIÉCES DE RECHANGE | AN-S 12.86 -02   |
|               | AS0630 S22-4 (50Hz)<br>AS0630 S25-4 (60Hz)                       | CAD CODE: G:\DWG\AS12086   |
|               |  | 09.11.99 C. QUIRKE   |
|               |  | Technical changes reserved<br>Änderungen vorbehalten<br>Sauv. réserve de modifications |
|               |  | Product Center: IEM  |