

SULZER

Massblatt XFP 200G-CB1 Nassinstallation
 Dimension sheet WET-WELL Installation
 Dimensioni Installazione sommersa
 Hoja de dimensiones instalación sumergida
 Plan d'encombrement Installation noyee

No: AN-M.22.693 - 01
 Drawn: 30/03/16 D.Whelan
 Issue Date: 30/03/2016
 Änderungen vorbehalten
 Technical changes reserved
 Con riserva di modifiche
 Con reserva de modificaciones
 Sous réserve de modification

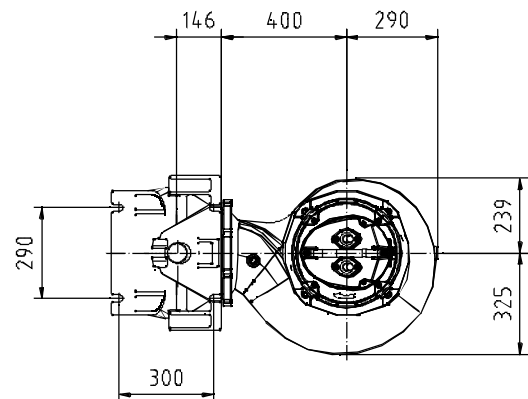
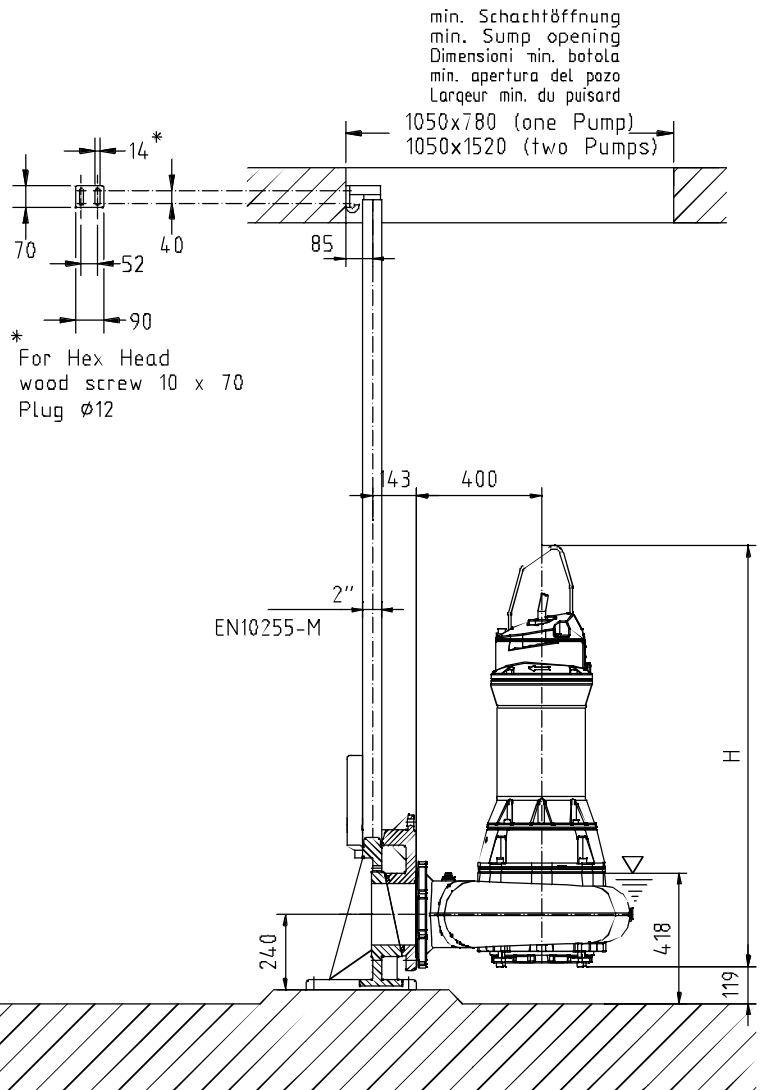
50 Hz**S.I.**

Typ Type Tipo	Gewicht Weight Poids N.C.J. (kg)	Gewicht Weight Poids W.C.J. (kg)	Height H (mm)
PE 90/6	404	454	1348
PE 110/6	404	454	1348
PE 140/6	424	464	1348

60 Hz

Typ Type Tipo	Gewicht Weight Poids N.C.J. (kg)	Gewicht Weight Poids W.C.J. (kg)	Height H (mm)
PE 130/6	410	454	1348
PE 160/6	424	464	1348
PE 200/6	480	524	1388
PE 120/8	420	464	1348

N.C.J. = No Cooling Jacket
 W.C.J. = With Cooling Jacket



Gewicht: Beinhaltet Pumpe, Halterung (Fussstück) und Kabel (50 Hz = 10 m; 60 Hz = 15 m)
 Weight: includes pump, slider bracket and cable (50 Hz = 10 m; 60 Hz = 15 m)
 Peso: include pompa, pezzo intermedio a cavo (50 Hz = 10 m; 60 Hz = 15 m)
 Peso: Incluye bomba, soporte deslizante y cable (50 Hz = 10 m; 60 Hz = 15 m)
 Poids : incluant la pompe, le coulisseau et le câble* (50 Hz = 10 m; 60 Hz = 15 m)

Guss-Allgemeintoleranzen nach DIN1680 - GTB16
 General tolerances for castings in acc. to DIN1680-GTB16
 Tolleranze generali delle fusioni secondo DIN1680-GTB16
 Tolerancias generales para la fundición seg. de DIN1680-GTB16
 Tolérance générale de la fonderie selon DIN1680-GTB16

SULZER

Massblatt XFP 200G-CB1 Nassinstallation
Dimension sheet WET-WELL Installation
Dimensioni Installazione sommersa
Hoja de dimensiones instalación sumergida
Plan d'encombrement Installation noyee

No: AN-M.22.693 - 01
Drawn: 30/03/16 D.Whelan
Issue Date: 30/03/2016
Änderungen vorbehalten
Technical changes reserved
Con riserva di modifiche
Con reserva de modificaciones
Sous réserve de modification

50 Hz

Typ Type Tipo	Gewicht Weight Poids N.C.J. (lbs)	Gewicht Weight Poids W.C.J. (lbs)	Height H (")
PE 90/6	891	1001	53.1
PE 110/6	891	1001	53.1
PE 140/6	935	1023	53.1

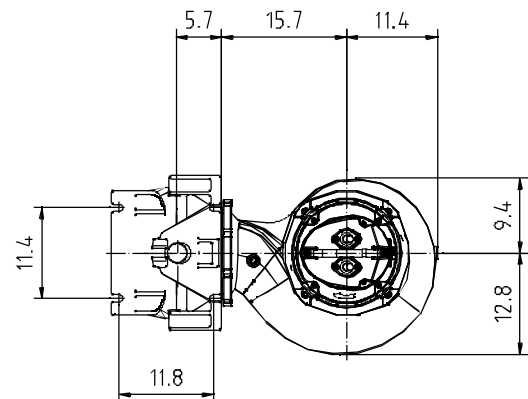
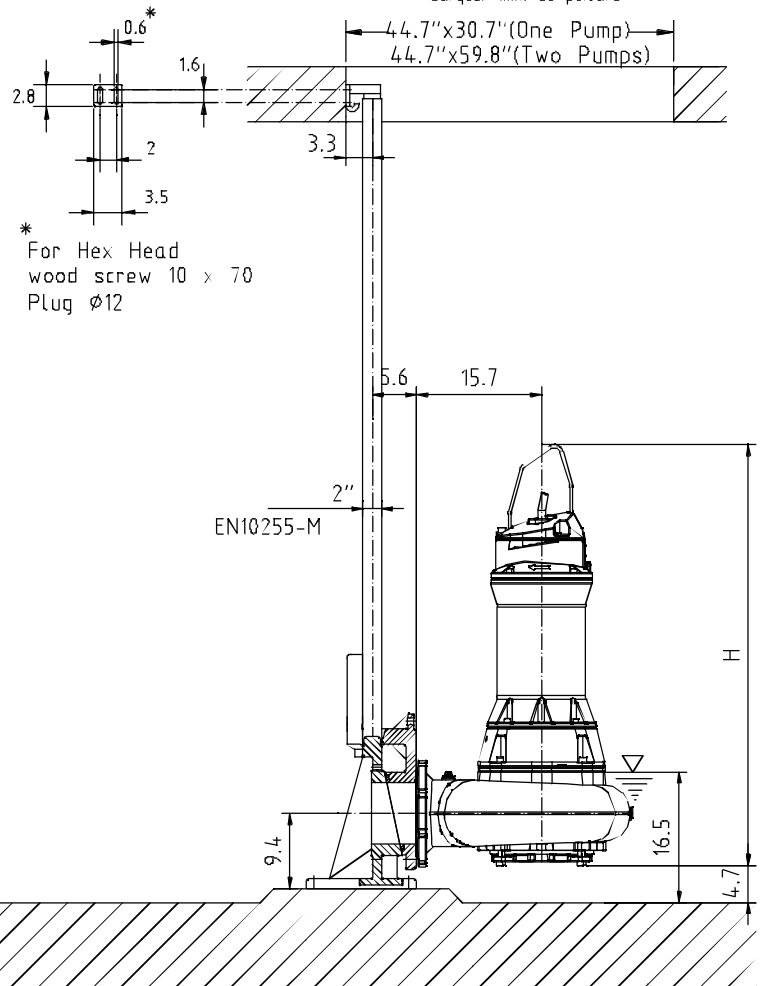
60 Hz

Typ Type Tipo	Gewicht Weight Poids N.C.J. (lbs)	Gewicht Weight Poids W.C.J. (lbs)	Height H (")
PE 130/6	904	1001	53.1
PE 160/6	935	1023	53.1
PE 200/6	1058	1156	54.6
PE 120/8	926	1023	53.1

N.C.J. = No Cooling Jacket
W.C.J. = With Cooling Jacket

U.S.

min. Schachtöffnung
min. Sump opening
Dimensioni min. botola
min. apertura del pozo
Largeur min. du puisard



Gewicht: Beinhaltet Pumpe, Halterung (Fussstück) und Kabel (50 Hz = 10 m; 60 Hz = 15 m)
Weight: includes pump, slider bracket and cable (50 Hz = 10 m; 60 Hz = 15 m)
Peso: include pompa, pezzo intermedio a cavo (50 Hz = 10 m; 60 Hz = 15 m)
Peso: Incluye bomba, soporte deslizante y cable (50 Hz = 10 m; 60 Hz = 15 m)
Poids : incluant la pompe, le coulisseau et le câble* (50 Hz = 10 m; 60 Hz = 15 m)

Guss-Allgemeintoleranzen nach DIN1680 - GTB16
General tolerances for castings in acc. to DIN1680-GTB16
Tolleranze generali delle fusioni secondo DIN1680-GTB16
Tolerancias generales para la fundición seg. de DIN1680-GTB16
Tolérance générale de la fonderie selon DIN1680-GTB16