

SULZER

Massblatt XFP 200G-CB1 Trockeninstallation

Dimension sheet DRY-WELL Installation

Dimensioni Installazione a secco

Hoja de dimensiones instalación en seco

Plan d'encombrement Installation à sec

No: AN-M.22.602 - 04

Drawn: 05/08/10 D.Whelan

Issue Date: 09/05/2013

Änderungen vorbehalten

Technical changes reserved

Con riserva di modifiche

Con reserva de modificaciones

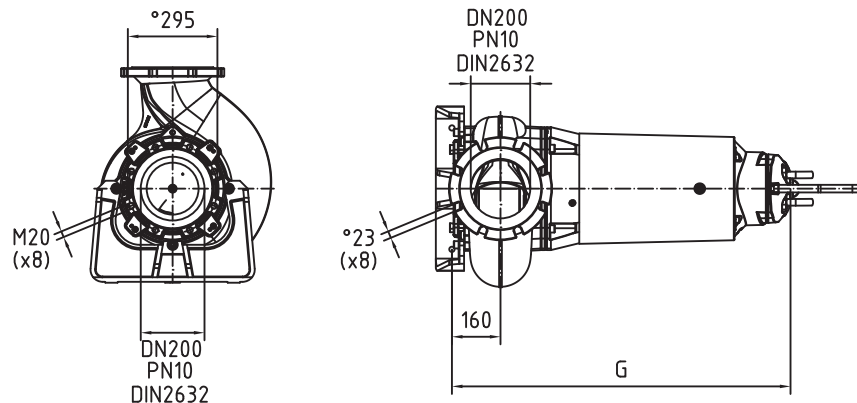
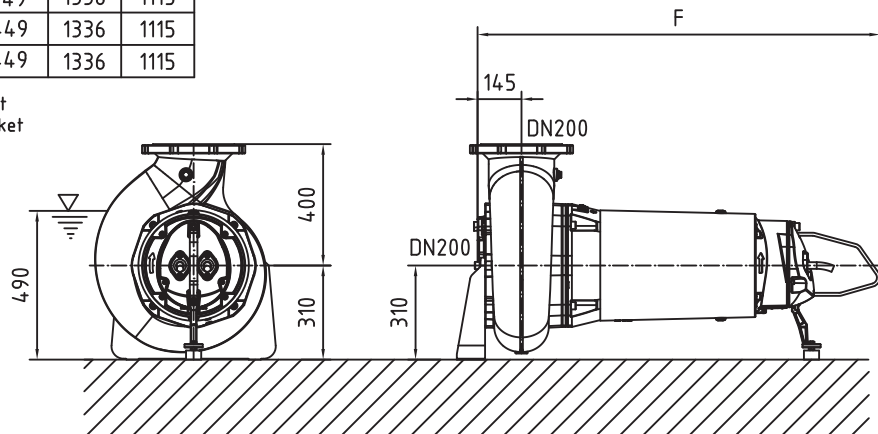
Sous réserve de modification

50 Hz**S.I.**

Typ Type Tipo	Gewicht Weight Poids N.C.J. (kg)	Gewicht Weight Poids W.C.J. (kg)	F (mm)	G (mm)
PE 90/6	399	449	1336	1115
PE 110/4	399	439	1336	1115
PE 140/4	399	439	1336	1115
PE 160/4	419	469	1336	1115
PE 185/4	419	469	1336	1115
PE 220/4	429	489	1376	1155

60 Hz

Typ Type Tipo	Gewicht Weight Poids N.C.J. (kg)	Gewicht Weight Poids W.C.J. (kg)	F (mm)	G (mm)
PE 90/6	393	449	1336	1115
PE 110/6	393	449	1336	1115
PE 130/6	393	449	1336	1115

N.C.J. = No Cooling Jacket
W.C.J. = With Cooling Jacket

Gewicht: Beinhaltet Pumpe, horizontal Stützen und Kabel (50 Hz = 10 m; 60 Hz = 15 m)
 Weight: includes pump, horizontal supports and cable (50 Hz = 10 m; 60 Hz = 15 m)
 Peso: incluye bomba, soportes horizontales y cable (50 Hz = 10 m; 60 Hz = 15 m)
 Peso: Incluye bomba, soporte horizontal y cable (50 Hz = 10 m; 60 Hz = 15 m)
 Poids : incluant la pompe, les supports horizontaux et le cable (50 Hz = 10 m; 60 Hz = 15 m)

Guss-Allgemeintoleranzen nach DIN1680 - GTB16
 General tolerances for castings in acc. to DIN1680-GTB16
 Tolleranze generali delle fusioni secondo DIN1680-GTB16
 Tolerancias generales para la fundicion seg. de DIN1680-GTB16
 Tolérance générale de la fonderie selon DIN1680-GTB16

SULZER

Massblatt XFP 200G-CB1 Trockeninstallation

Dimension sheet DRY-WELL Installation

Dimensioni Installazione a secco

Hoja de dimensiones instalación en seco

Plan d'encombrement Installation à sec

No: AN-M.22.602 - 04

Drawn: 05/08/10 D.Whelan

Issue Date: 09/05/2013

Änderungen vorbehalten

Technical changes reserved

Con riserva di modifiche

Con reserva de modificaciones

Sous réserve de modification

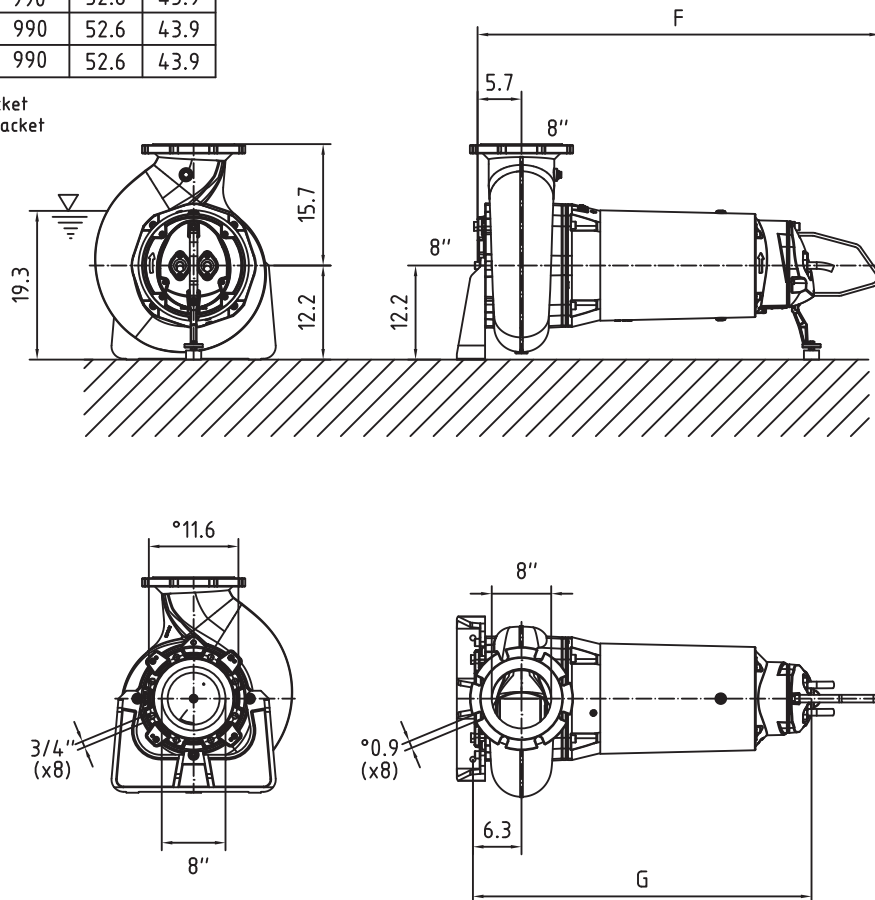
50 Hz**U.S.**

Typ Type Tipo	Gewicht Weight Poids N.C.J. (lbs)	Gewicht Weight Poids W.C.J. (lbs)	F (")	G (")
PE 90/6	880	990	52.6	43.9
PE 110/4	880	968	52.6	43.9
PE 140/4	880	968	52.6	43.9
PE 160/4	924	1034	52.6	43.9
PE 185/4	924	1034	52.6	43.9
PE 220/4	946	1079	54.2	45.5

60 Hz

Typ Type Tipo	Gewicht Weight Poids N.C.J. (lbs)	Gewicht Weight Poids W.C.J. (lbs)	F (")	G (")
PE 90/6	867	990	52.6	43.9
PE 110/6	867	990	52.6	43.9
PE 130/6	867	990	52.6	43.9

N.C.J. = No Cooling Jacket
W.C.J. = With Cooling Jacket



Gewicht: Beinhaltet Pumpe, horizontal Stützen und Kabel (50 Hz = 10 m; 60 Hz = 15 m)
Weight: includes pump, horizontal supports and cable (50 Hz = 10 m; 60 Hz = 15 m)
Peso: incluye bomba, soportes horizontales y cable (50 Hz = 10 m; 60 Hz = 15 m)
Peso: Incluye bomba, soporte horizontal y cable (50 Hz = 10 m; 60 Hz = 15 m)
Poids : incluant la pompe, les supports horizontaux et le cable (50 Hz = 10 m; 60 Hz = 15 m)

Guss-Allgemeintoleranzen nach DIN1680 - GTB16
General tolerances for castings in acc. to DIN1680-GTB16
Tolleranze generali delle fusioni secondo DIN1680-GTB16
Tolerancias generales para la fundicion seg. de DIN1680-GTB16
Tolérance générale de la fonderie selon DIN1680-GTB16