

SULZER

Massblatt XFP 150E-CB1 Trockeninstallation

Dimension sheet DRY-WELL Installation

Dimensioni Installazione a secco

Hoja de dimensiones instalación en seco

Plan d'encombrement Installation à sec

No: AN-M.22.572 -05

Drawn: 23.09.09/D.Whelan

Issue Date: 09/05/2013

Änderungen vorbehalten

Technical changes reserved

Con riserva di modifiche

Con reserva de modificaciones

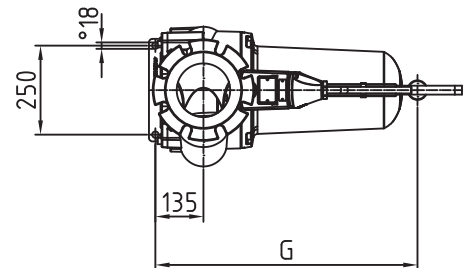
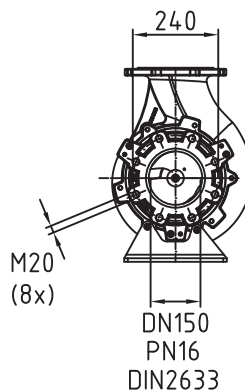
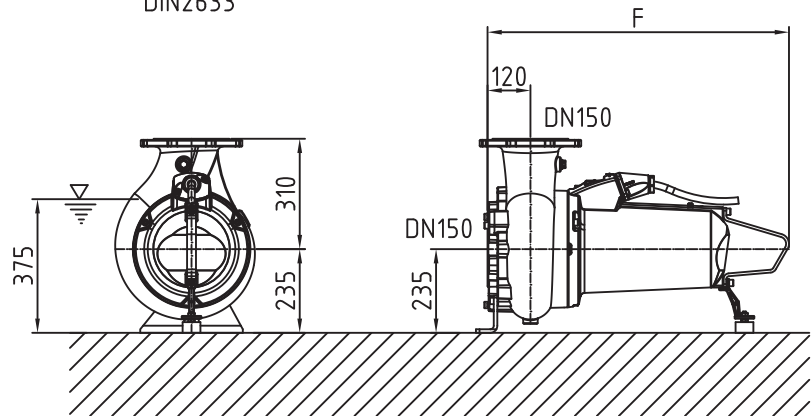
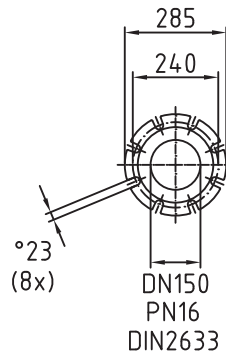
Sous réserve de modification

50 Hz**S.I.**

Typ Type Tipo	Gewicht Weight Poids Peso (kg)	F (mm)	G (mm)
PE 40/4	173	771	666
PE 30/6	173	771	666
PE 60/4	173	771	666
PE 90/4	193	841	736

60 Hz

Typ Type Tipo	Gewicht Weight Poids Peso (kg)	F (mm)	G (mm)
PE 35/6	173	771	666
PE 45/4	173	771	666
PE 56/4	183	771	666
PE 75/4	173	771	666
PE 90/4	203	771	666
PE 105/4	212	841	736



Gewicht: Beinhaltet Pumpe ,horizontal Stützen und Kabel (50 Hz = 10 m; 60 Hz = 15 m)
 Weight: includes pump, horizontal supports and cable (50 Hz = 10 m; 60 Hz = 15 m)
 Peso: include pompa, supporti orizzontali e cavo (50 Hz = 10 m; 60 Hz = 15 m)
 Peso: Incluye bomba, soporte horizontal y cable (50 Hz = 10 m; 60 Hz = 15 m)
 Poids : incluant la pompe, les supports horizontaux et le cable (50 Hz = 10 m; 60 Hz = 15 m)

Guss-Allgemeintoleranzen nach DIN1680 - GTB16
 General tolerances for castings in acc. to DIN1680-GTB16
 Tolleranze generali delle fusioni secondo DIN1680-GTB16
 Tolerancias generales para la fundición seg. de DIN1680-GTB16
 Tolérance générale de la fonderie selon DIN1680-GTB16

SULZER

Massblatt XFP 150E-CB1 Trockeninstallation

No: AN-M.22.572 -05

Dimension sheet DRY-WELL Installation

Drawn: 23.09.09/D.Whelan

Dimensioni Installazione a secco

Issue Date: 09/05/2013

Hoja de dimensiones instalación en seco

Änderungen vorbehalten

Plan d'encombrement Installation à sec

Technical changes reserved

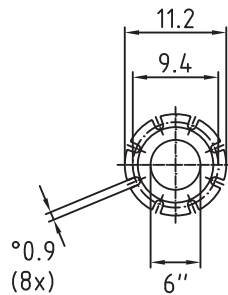
Con riserva di modifiche

Con reserva de modificaciones

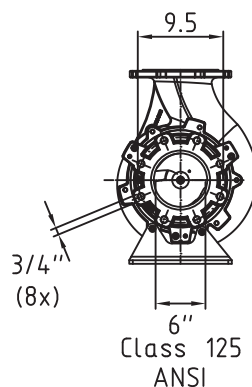
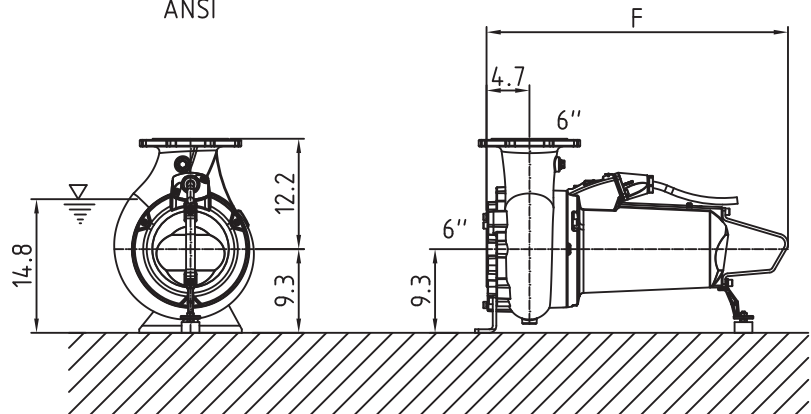
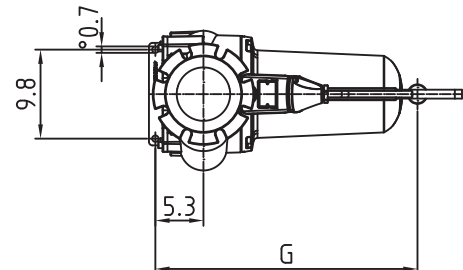
Sous réserve de modification

50 Hz**U.S.**

Typ Type Tipo	Gewicht Weight Poids Peso (lbs)	F (")	G (")
PE 40/4	382	30.4	26.2
PE 30/6	382	30.4	26.2
PE 60/4	382	30.4	26.2
PE 90/4	426	33.1	29

Class 125
ANSI**60 Hz**

Typ Type Tipo	Gewicht Weight Poids Peso (lbs)	F (")	G (")
PE 35/6	382	30.4	26.2
PE 45/4	382	30.4	26.2
PE 56/4	404	30.4	26.2
PE 75/4	382	30.4	26.2
PE 90/4	448	30.4	26.2
PE 105/4	468	33.1	29

Class 125
ANSI

Gewicht: Beinhaltet Pumpe ,horizontal Stützen und Kabel (50 Hz = 10 m; 60 Hz = 15 m)
 Weight: includes pump, horizontal supports and cable (50 Hz = 10 m; 60 Hz = 15 m)
 Peso: include pompa, supporti orizzontali e cavo (50 Hz = 10 m; 60 Hz = 15 m)
 Peso: Incluye bomba, soporte horizontal y cable (50 Hz = 10 m; 60 Hz = 15 m)
 Poids : incluant la pompe, les supports horizontaux et le cable (50 Hz = 10 m; 60 Hz = 15 m)

Guss-Allgemeintoleranzen nach DIN1680 - GTB16

General tolerances for castings in acc. to DIN1680-GTB16

Tolleranze generali delle fusioni secondo DIN1680-GTB16

Tolerancias generales para la fundición seg. de DIN1680-GTB16

Tolérance générale de la fonderie selon DIN1680-GTB16