

Submersible drainage pump J 4

SULZER

Specification

J 4 medium head, single-phase electric submersible pump with built-in float switch.

Maximum submergence: 7 m.

Max temperature of pumped medium at max power input and continuous duty 40 °C.

Protection class IP68.

pH of the pumped medium 6.5 - 8.5.

Strainer hole: 6 mm.

Electric motor

Single-phase induction motor with built-in capacitor, 50 Hz.

Class F insulation.

Motor rating P_2 : 0.45 kW. Speed: 2850 rpm

Voltage, V	230
Nominal current, A	3

Power cable

10 m type H07RN8-F: 3 x 1.0 sq.mm.

Motor protection

Built-in thermal protector.

Shaft seal

Double mechanical seal in oil bath: Ceramic-Sic/Carbon-Ceramic.

Bearings

Sealed ball bearing.

Discharge connections

2" hose connection.

2" B.S.P. threaded connection.

Weight

15.3 kg

Options and accessories

2" Storz C connection

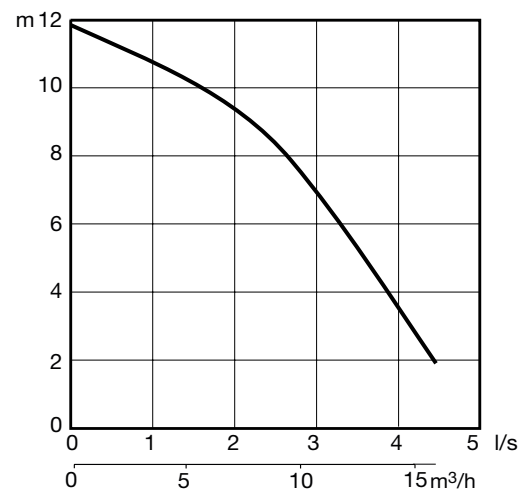
Reinforced hose.

Materials

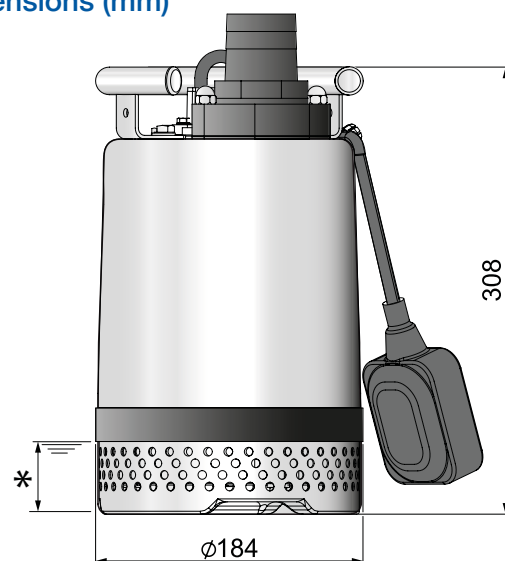
Description	Material
Castings	Cast iron
Casing	Stainless steel
Shaft	Stainless steel 1.4021
Impeller	Ductile iron
Wear parts	Nitrile rubber
O-rings	Nitrile rubber



Performance curve



Dimensions (mm)



* Continuous running water level 76 mm

www.sulzer.com

J 4 50Hz en (09.2022), Copyright © Sulzer Ltd 2022

This document does not provide a warranty or guarantee of any kind. Please contact us for a description of the warranties and guarantees offered with our products. Directions for use and safety will be given separately. All information herein is subject to change without notice.