

Repair and o-ring kit J, JC, JS



Repair kit

Sulzer offers repair kits for repair of dewatering and sludge pumps. The common known design philosophy with modular families makes it possible to repair any of the J 12 - J 84, JC 24 - JC 84 and JS 12 - JS 84 pumps with only three kits.

Repair kits features

- High and fast repair flexibility with minimum numbers of kits.
- The repair kit includes individually packed parts all enclosed in one box.
- All various cable seals and cable washers are included in the repair kit.

Exploded spare part drawings shows complete pumps and highlights the parts included in each delivered repair kit.

Repair kits available

Pump model	P/N
J 12-15, JS 12-15	00830940
J 24-44, JC 24-44, JS 24-44	00830941
JC 34	00831807
J 54-84, JC 54-84, JS 54-84	00830942
J 205	00831607
J 405	00831608
J 604	00831609

O-ring kit

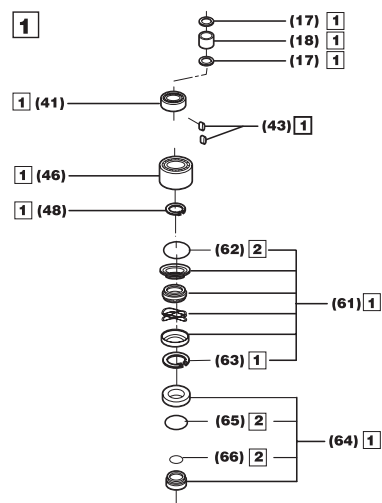
Sulzer offers o-ring kits for repair of dewatering and sludge pumps. The o-ring kit is included in the repair kit.

Exploded spare part drawings shows complete pumps and highlights the parts included in each delivered o-ring kit.

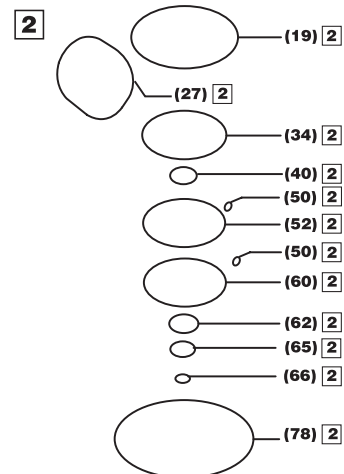
O-ring kits available

Pump model	P/N
J 12-15, JS 12-15	00830232
J 24-44, JC 24-44, JS 24-44	61190240
JC 34	00830192
J 54-84, JC 54-84, JS 54-84	61190242
J 205	61190244
J 405	00830455
J 604	61190839

Repair kit



O-ring kit



Numbers refer to item numbers in spare part list drawing.