

Lifting Station Type ABS Sanimax MF-HW

SULZER

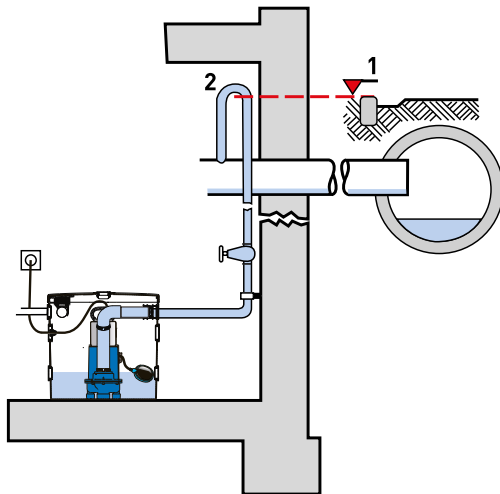
Complete wastewater pumping unit for installation at floor level, and fitted with a submersible MF-HW hot water pump. Suitable for the removal of high temperature liquids containing solid particles up to 20 mm, from domestic and commercial appliances located below the sewer level, in accordance with EN 12050-2.

Features

- Ready-for-use, plug-in unit with Schuko plug.
- Compact triangular design optimises space.
- Fitted with MF 154HW pump, complete with non-return valve and level control. A separate check valve should be used at heads over 3 m.
- Solids handling up to 20 mm.
- Pumping of high temperature wastewater up to a maximum of 80 °C.
- Seven ports (5 x 40 mm, 2 x 50 mm), ready-prepared with seals, which can be used for inflow, discharge, power cable, or flexible hose connection to a washing machine (¾" adaptor supplied).
- Odour-tight lid with odour lock and venting, including charcoal odour filter and overflow protection.
- Alarm switch available as accessory.

Installation

Attention to the backwash level is of vital importance for effective dewatering. All outflow points located below the backwash level must be protected against back flow according to standard EN 12056.



1. Backwash level
2. Backwash loop with base above the backwash level.

Materials

Description	Material	
Tank	PP	
MF 154HW	Upper Lid	Stainless steel 1.4301
	Motor Housing	Cast iron EN-GJL-250
	Rotor Shaft	Stainless steel 1.4021
	Impeller	Polyamide
	Volute	Cast iron EN-GJL-250
	Seal	Neoprene
	Fasteners	Stainless steel 1.4401



Tank

Synthetic, corrosion-resistant, gas- and odour-tight tank, in accordance with EN 12050-2. Supplied as standard with pump, automatic level control and non-return valve.

Capacity: 28 litres

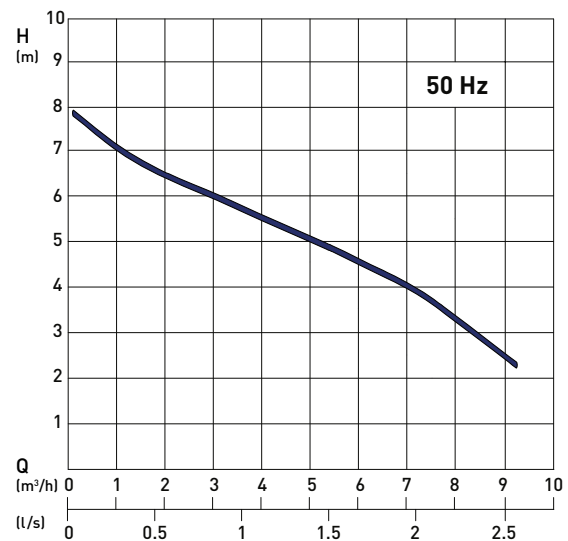
Motor

Water pressure sealed, squirrel cage 2-pole induction motor, with double shaft seals and oil chamber. Electronic monitoring of stator temperature and overcurrent.

Insulation: Class F (155 °C)

Protection type: IP 68

Performance Curves



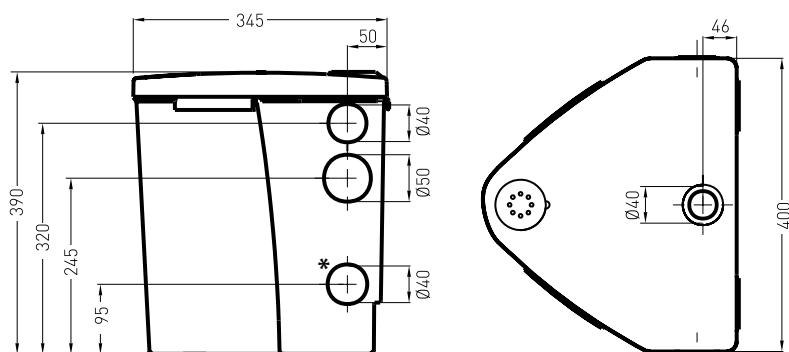
H = Total Head; Q = Discharge Volume;
Curves to ISO 9906

Technical data

Sanimax MF-HW	
Motor power (kW)*	$P_1 = 0.65$ $P_2 = 0.42$
Speed (r/min)	2900
Rated voltage (V)	220-240 1~
Rated current (A)	2.83
Cable type (H07RN-F, enhanced version)	3G1.0
Cable length (m)	10
Weight (kg)	13.5

* P_1 = Power taken from mains. P_2 = Power at motor shaft.

Dimensions (mm)



Switching and Volume Levels

Sanimax MF-HW	
ON	230 mm
OFF	80 mm
Pumped volume	11.2 litres
Residual volume	4.5 litres

* We recommend that the lower ports should not be used because the switch-on level is higher than the inflow level.

Accessories

Description	Size	Part no.	
Non-return valves	cast iron ball valve with internal thread connection	G 1 ¼"	61400525
		G 1 ½"	61400526
	brass shut-off valve with internal thread connection	G 1 ¼"	14040005
		G 1 ½"	14040006