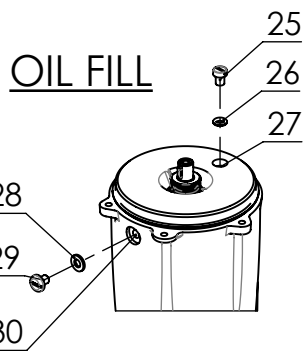
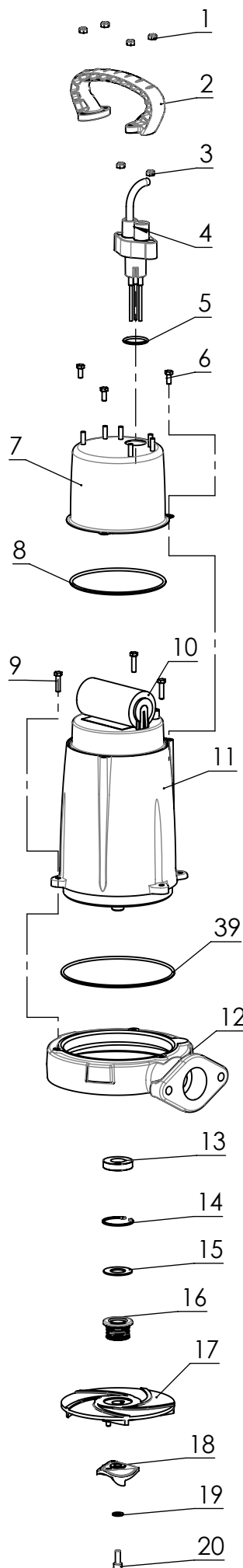


## SPARE PARTS LIST/ERSATZTEILLISTE/LISTE DE PIÈCES DE RECHANGE

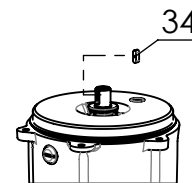
### PIRANHA 09 W/KS 50 Hz & W 60 Hz

Page :  
 Issue of : 26/02/2020  
 Supersedes Issue : 14/03/05  
 Issue No. : 3  
 Drawing ref. Nr. : ANS13396-06

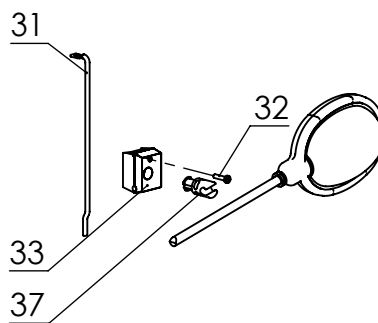
Pos. No.	Part No.	Kit	Qty	Description	Benennung	Designation	Dimensions /Din	Comments	Price
1	11400049		4	Hexagonal nut	Sechskantmutter	Ecrou hexagonal	M5 DIN985		
2	42005004		1	Handle	Handgriff	Poignee			
3	11400049		2	Hexagonal nut	Sechskantmutter	Ecrou hexagonal	M5 DIN985		
4	43025300		1	Cable EasyFit	Kabel EasyFit	Cable EasyFit	10m Non-KS (WP)	50Hz	
4	43025303		1	Cable EasyFit	Kabel EasyFit	Cable EasyFit	10m KS (WP)	50Hz	
4	43025301		1	Cable EasyFit	Kabel EasyFit	Cable EasyFit	3m KS (WP)	50Hz	
4	43025356		1	Cable EasyFit	Kabel EasyFit	Cable EasyFit	10m Non-KS (WOP)	60Hz	
4	43025355		1	Cable EasyFit	Kabel EasyFit	Cable EasyFit	20m Non-KS (WOP)	60Hz	
5	11120518	A	1	O-ring	O-ring	Joint torique	Ø25x2.5 DIN3771		
6	11200229		3	Hexagonal screw	Sechskantschraube	Vis hexagonal	M5x12 DIN933		
7	62675031		1	Upper lid	Obererdeckel	Couvercle supérieur			
8	11120415	A	1	O-ring	O-ring	Joint torique	Ø110x3.5 DIN3771		
9	11200303		3	Hexagonal screw	Sechskantschraube	Vis hexagonal	M5x20 DIN933		
10	12810119		1	Capacitor	Kondensator	Condensateur	40µF 400-450V		
11	61275189		1	Motor	Motor	Moteur	230/1/50	With capacitor	
11	61275190		1	Motor	Motor	Moteur	230/1/60	With capacitor	
12	34055076		1	Volute	Kreiselmutter	Corps de pompe	G1¼"	Use 31055096	
12	31055096		1	Volute	Kreiselmutter	Corps de pompe	Flange oval + G1¼"	Synconta 601/801	
13	11090004	A	1	Lip seal	Wellendichtung	Joint à levres	Ø15x35x8 DIN3760		
14	11080078		1	Circlip	Sicherungsring	Circlip	Ø35x1.5 DIN472		
15	42015009		1	Washer	Scheibe	Rondelle	Ø34x18x1.5		
16	11110172		1	Mechanical seal	Gleitringdichtung	Garniture Mecanique	Ø15mm		
17	35075388		1	Impeller	Lauftrad	Roue	Ø135 GG25		
18	42935004		1	Shredding rotor	Zerkleinerungs rotor	Rotor dilacérateur			
19	11470026		1	Washer	Scheibe	Rondelle	A6.4 DIN9021	1.4401	
20	11210226		1	Cylinder screw	Zylinderschraube	Vis à tête cylindrique	M6x16 DIN912		
21	31065050		1	Bottom plate	Bodenplatte	Plaque de base	GG25		
21	31065069		1	Bottom plate	Bodenplatte	Plaque de base	GG25	Synconta 601/801	
22	11200303		3	Hexagonal screw	Sechskantschraube	Vis hexagonal	M5x20 DIN933		
23	42930005			Shredding ring	Zerkleinerungs ring	Bague de coupage	1.4528		
24	11260099		3	Lens Head Screw	Flachkopfschraube	Vis à tête plate	M6x12 DIN85		
25	11250121		1	Cylinder screw	Zylinderschraube	Vis à tête cylindrique	M8x10 DIN84		
26	11120141	A	1	O-ring	O-ring	Joint torique	Ø7x3 DIN3771		
27	11030046		0.5L	Oil	Öl	Huile			
28	11650001	A	1	Locking Washer	Klemmscheibe	Rondelle-frein	M8 PVC/NITR		
29	11260100		1	Lens Head Screw	Flachkopfschraube	Vis à tête plate	M8x10 DIN85		
30	11030046		0.02L	Oil	Öl	Huile			
31	44125011		1	KS Rod	KS Haltestange	KS support flotteur			
32	11370064		1	Self-tapping screw	Zyl.Blechschrabe	Vis	Ø4.0x22 WN1441		
33	41420542		1	KS Bracket	KS Haltewinkel	KS butée flotteur			
34	11630009		1	Impeller key	Paßfeder	Clavette	4x4x12 DIN6885		
35	11730021		1	Dowel pin	Spannstifte	Goujon	5x15 DN1481		
36	11360040		3	Grub screw	Gewindestif	Goujon	M6x10 DIN916		
39	11121148	A	1	O-ring	O-ring	Joint torique	Ø125x2.5 NBR70 DIN3771		
	61195088			Seal kit	Dichtungssatz	Jeu de joint complet			



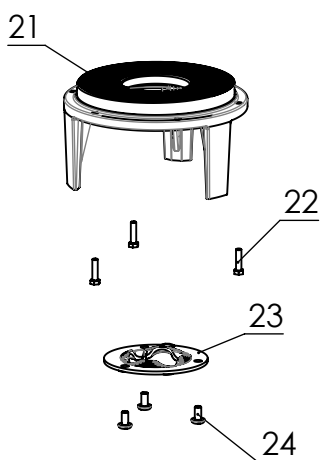
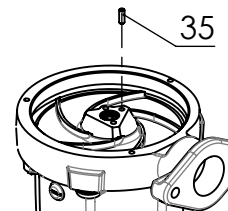
**DRIVE KEY**



**KS OPTION**



**DRIVE PIN**



SPARE PARTS LIST / ERSATZTEILLISTE  
LIST DE PIÉCES DE RECHANGE  
PIRANHA 09/2W

AN-S 13.396 -06

CAD CODE: LN ANS13396  
DATE/NAME: 15/09/04 B MacDonald  
Product Center: 014