

**SULZER**

Massblatt XFP 100E-CB1 Trockeninstallation

No: AN-M.22.568 -06

Dimension sheet DRY-WELL Installation

Drawn: 11.05.09 / D.Whelan

Dimensioni Installazione a secco

Issue Date: 09/05/2013

Hoja de dimensiones instalación en seco

Änderungen vorbehalten  
Technical changes reserved  
Con riserva di modifiche  
Con reserva de modificaciones  
Sous réserve de modification

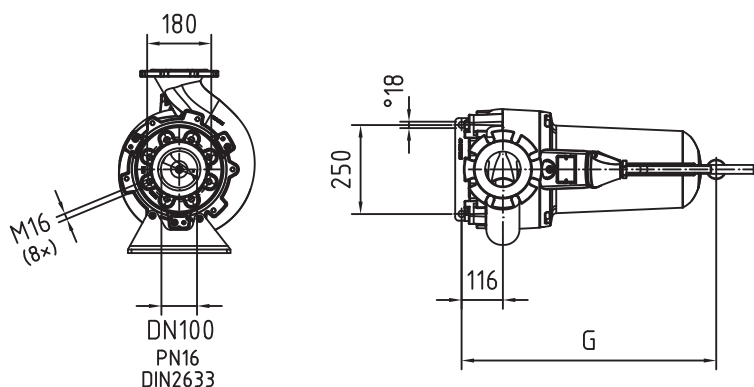
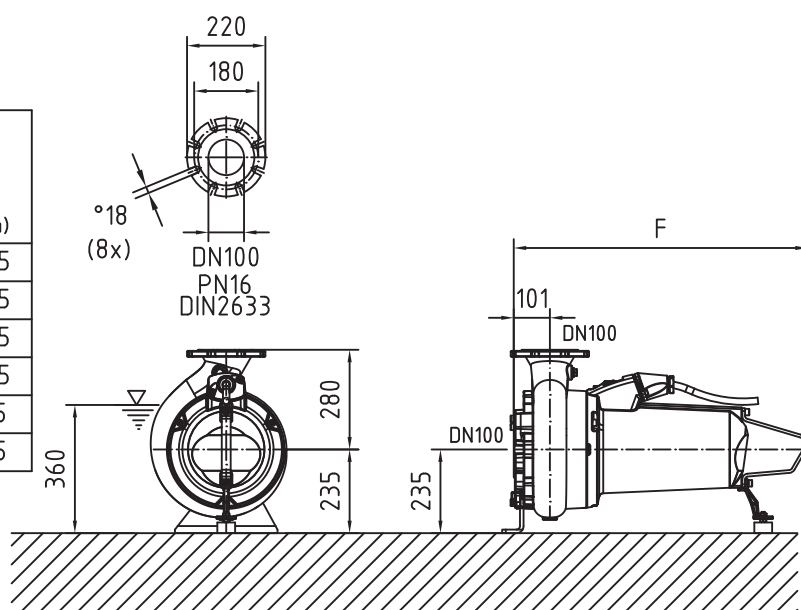
Plan d'encombrement Installation à sec

**50 Hz****S.I.**

Typ Type Tipo	Gewicht Weight Poids Peso (kg)	F (mm)	G (mm)
PE 40/4	163	750	645
PE 60/4	173	750	645
PE 90/4	193	820	715

**60 Hz**

Typ Type Tipo	Gewicht Weight Poids Peso (kg)	F (mm)	G (mm)
PE 35/6	173	750	645
PE 46/4	163	750	645
PE 56/4	163	750	645
PE 75/4	173	750	645
PE 90/4	193	820	715
PE 105/4	202	820	715



Gewicht: Beinhaltet Pumpe ,horizontal Stützen und Kabel (50 Hz = 10 m; 60 Hz = 15 m)  
 Weight: includes pump, horizontal supports and cable (50 Hz = 10 m; 60 Hz = 15 m)  
 Peso: include pompa, supporti orizzontali e cavo (50 Hz = 10 m; 60 Hz = 15 m)  
 Peso: Incluye bomba, soporte horizontal y cable (50 Hz = 10 m; 60 Hz = 15 m)  
 Poids : incluant la pompe, les supports horizontaux et le cable (50 Hz = 10 m; 60 Hz = 15 m)

Guss-Allgemeintoleranzen nach DIN1680 - GTB16  
 General tolerances for castings in acc. to DIN1680-GTB16  
 Tolleranze generali delle fusioni secondo DIN1680-GTB16  
 Tolerancias generales para la fundición seg. de DIN1680-GTB16  
 Tolérance générale de la fonderie selon DIN1680-GTB16

**SULZER**

Massblatt XFP 100E-CB1 Trockeninstallation  
 Dimension sheet DRY-WELL Installation  
 Dimensioni Installazione a secco  
 Hoja de dimensiones instalación en seco  
 Plan d'encombrement Installation à sec

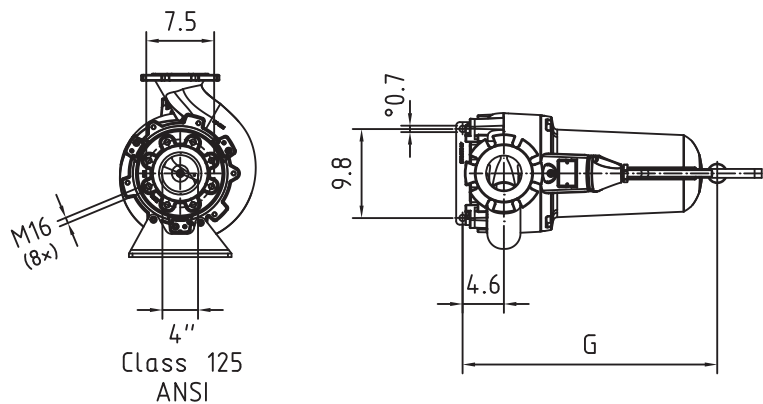
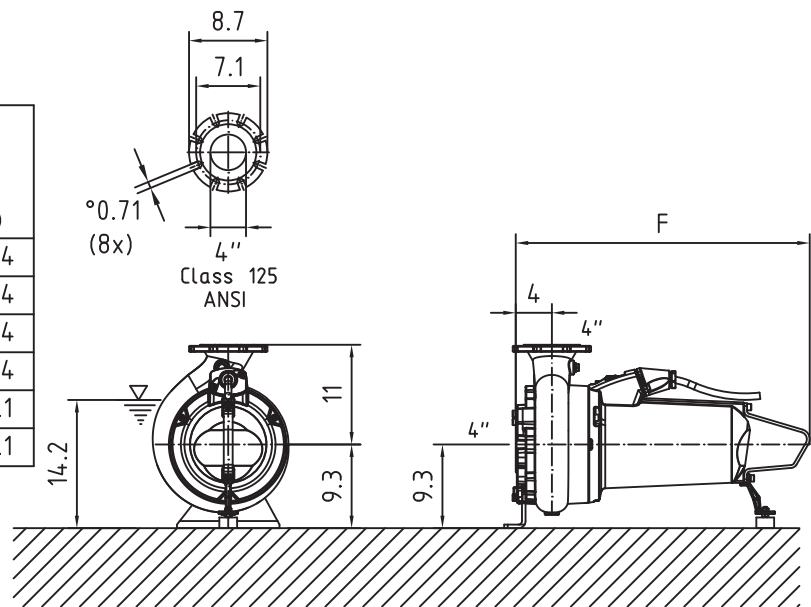
No: AN-M.22.568 -06  
 Drawn: 11.05.09 / D.Whelan  
 Issue Date: 09/05/2013  
 Änderungen vorbehalten  
 Technical changes reserved  
 Con riserva di modifiche  
 Con reserva de modificaciones  
 Sous réserve de modification

**50 Hz****U.S.**

Typ Type Tipo	Gewicht Weight Poids Peso (lbs)	F (")	G (")
PE 40/4	360	29.5	25.4
PE 60/4	382	29.5	25.4
PE 90/4	426	32.3	28.1

**60 Hz**

Typ Type Tipo	Gewicht Weight Poids Peso (lbs)	F (")	G (")
PE 35/6	382	29.5	25.4
PE 46/4	360	29.5	25.4
PE 56/4	360	29.5	25.4
PE 75/4	382	29.5	25.4
PE 90/4	426	32.3	28.1
PE 105/4	446	32.3	28.1



Gewicht: Beinhaltet Pumpe, horizontal Stützen und Kabel (50 Hz = 10 m; 60 Hz = 15 m)  
 Weight: includes pump, horizontal supports and cable (50 Hz = 10 m; 60 Hz = 15 m)  
 Peso: include pompa, supporti orizzontali e cavo (50 Hz = 10 m; 60 Hz = 15 m)  
 Peso: Incluye bomba, soporte horizontal y cable (50 Hz = 10 m; 60 Hz = 15 m)  
 Poids : incluant la pompe, les supports horizontaux et le cable (50 Hz = 10 m; 60 Hz = 15 m)

Guss-Allgemeintoleranzen nach DIN1680 - GTB16  
 General tolerances for castings in acc. to DIN1680-GTB16  
 Tolleranze generali delle fusioni secondo DIN1680-GTB16  
 Tolerancias generales para la fundición seg. de DIN1680-GTB16  
 Tolérance générale de la fonderie selon DIN1680-GTB16