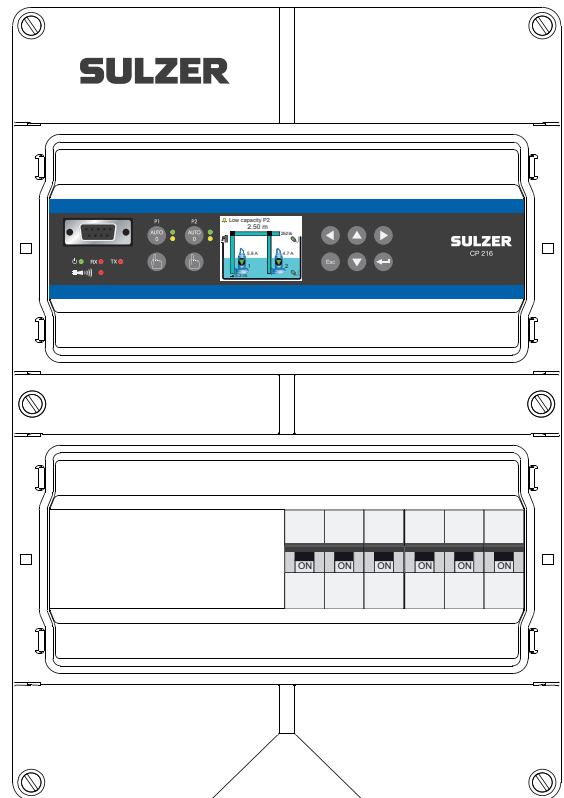
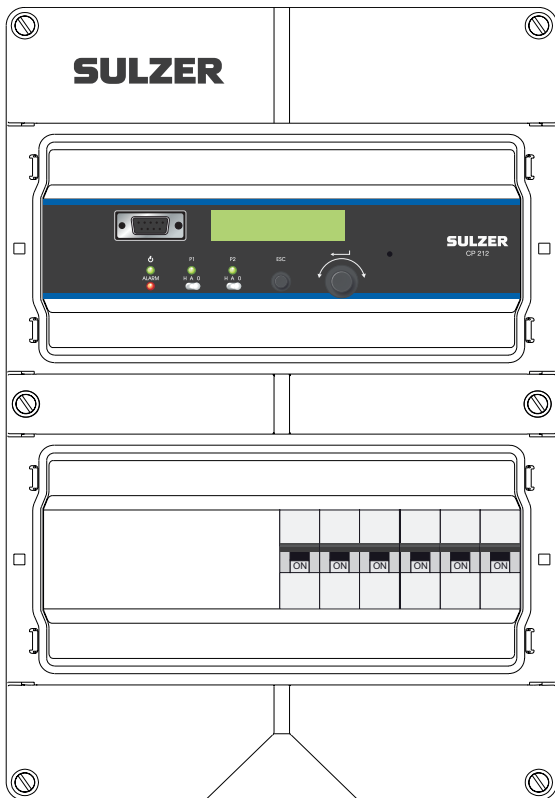

Control Panel Type ABS CP 112/212, CP 116/216



Copyright © 2022 Sulzer. All rights reserved.

This manual, as well as the software described in it, is furnished under license and may be used or copied only in accordance with the terms of such license. The content of this manual is furnished for informational use only, is subject to change without notice, and should not be construed as a commitment by Sulzer. Sulzer assumes no responsibility or liability for any errors or inaccuracies that may appear in this book.

Except as permitted by such license, no part of this publication may be reproduced, stored in a retrieval system, or transmitted, in any form or by any means, electronic, mechanical, recording, or otherwise, without the prior written permission of Sulzer.

Sulzer reserves the right to alter specifications due to technical developments.

INSTALLATION



Only open the cabinet while it is disconnected from power.



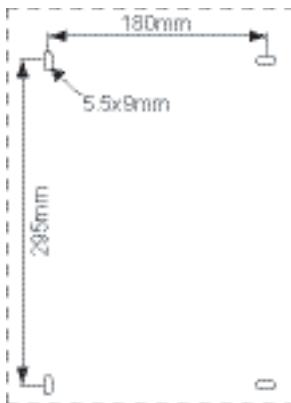
The unit may only be connected to a fused outlet with at most 3 x 16 A.



For maximum pump load, see the User Guide, *Technical Data*.

ATTENTION!

After installation is completed, you must verify the correct phase sequence: Connect the plug to the outlet. If an alarm says *Wrong Phase Order*, disconnect the plug, use a screwdriver to rotate the phase inverter in the plug.



1 Mount the cabinet

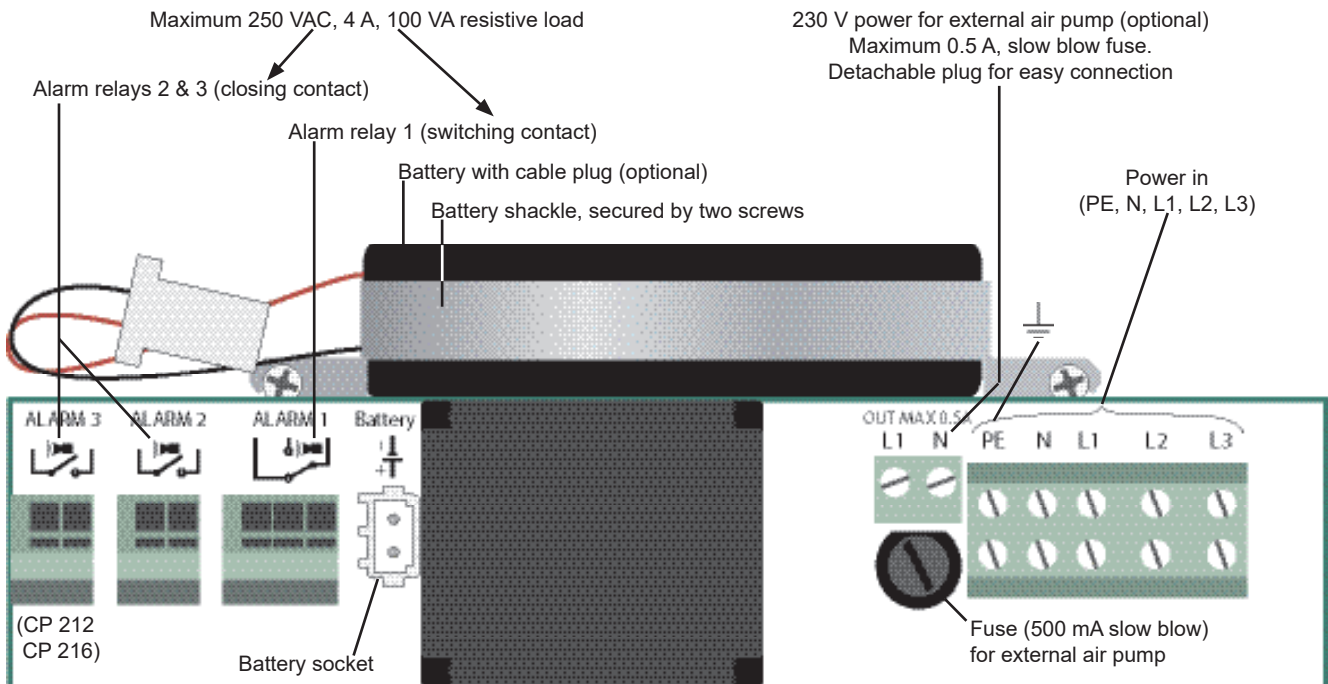
Loosen the six plastic screws and remove the cabinet front. Mount the cabinet with screws according to the figure at left.

2 Installable options

Battery Install and connect the optional battery according to the figure below. A shackle holds the battery secured with two screws.

Modem Only applies to CP 116/216. A modem may already be installed as an option, and in this case, all you need to do is to connect the antenna (see the separate modem installation sheet). The modem can also be purchased separately, and in this case, follow the installation instructions that come with the modem.

3 Connections at the top

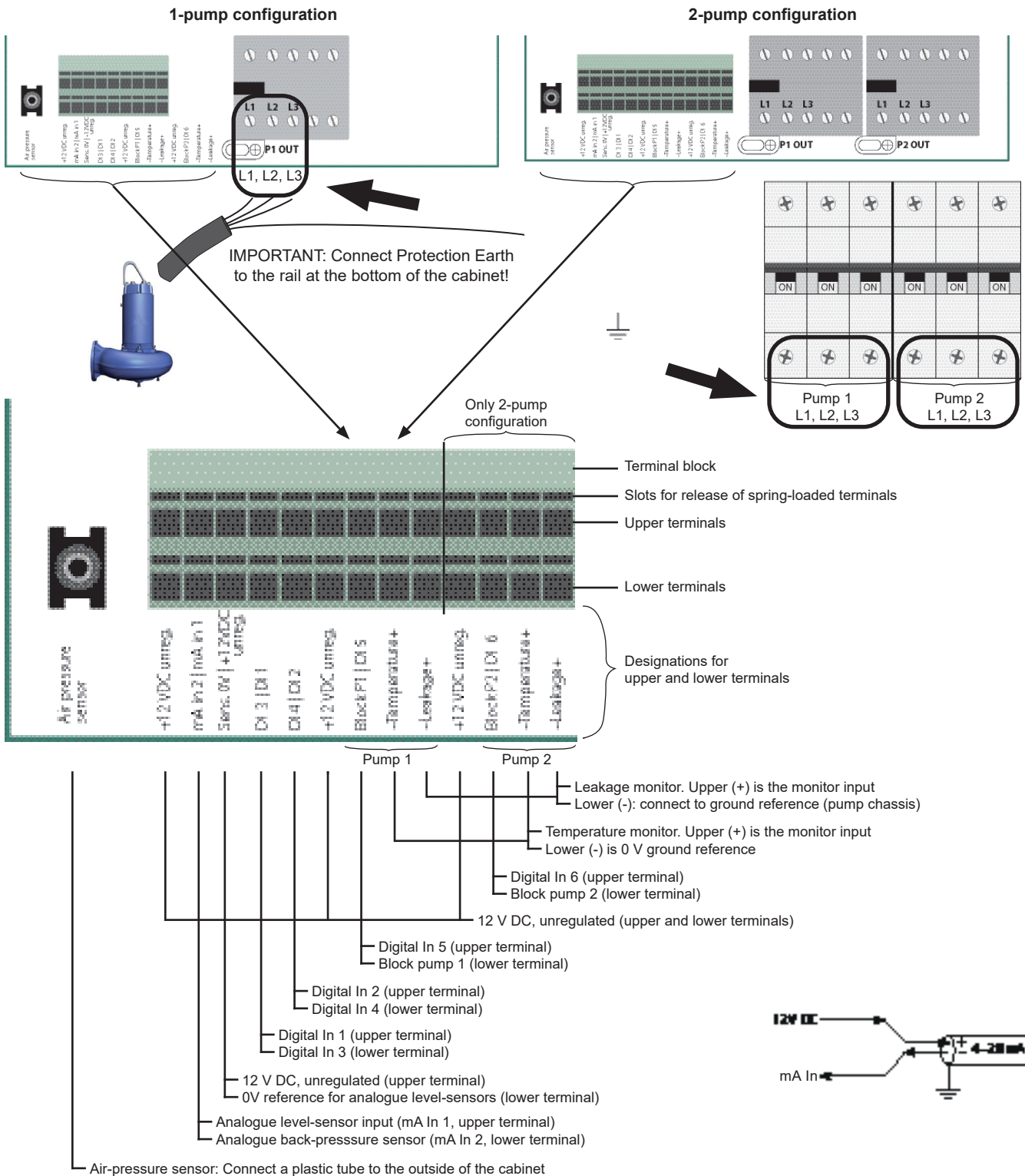


4 Connections at the bottom

The built-in Air Pressure Sensor has a fixed range, 0 - 3.5 meter; for details regarding maintenance and operating see User Guide for respectively products.

In the 1-pump configurations, connect the pump directly to the contactor. In the 2-pump configuration, connect the pumps to the automatic fuses. See figure.

The temperature monitor may for instance be a PTC thermistor or a thermal switch. You may combine the wire for the zero volt ground reference for the temperature monitor with the corresponding wire for the leakage monitor, provided it is also connected to the pump chassis.



Air-pressure sensor: Connect a plastic tube to the outside of the cabinet

5 Communication

The CP 116 and CP 216 have two communication ports. The 9-pole D-sub connector at the front is the service port for PC connection. The port under the hood is the modem port and intended to use with CA 523 modem.

CP 116/216 support CA 523 as external modem or the old internal modem CA 522 (not recommended for new installations). Only one modem can be installed at a time.

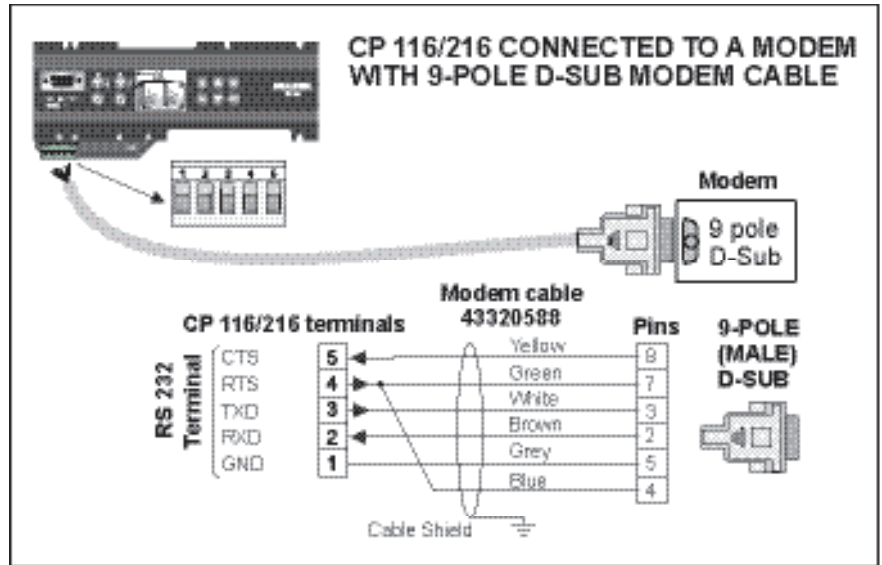


Figure 1. If using external modem, connect the communication cable according to the figure. Modem cable 43320588 can be ordered from Sulzer.

Note! The internal 12 VDC supply can be used as modem supply only IF the optional 12 V backup battery (p.no. 15807009) is used together with a special power supply cable (p.no 43397000). Without backup battery a separate power supply is required for the modem.

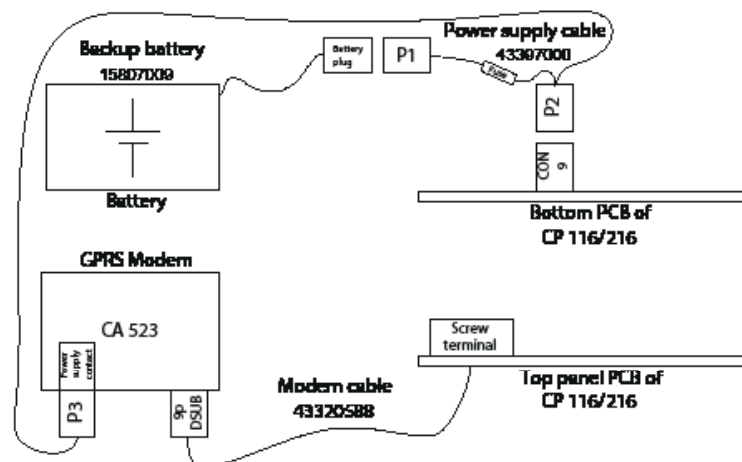


Figure 2. Battery powered modem.

Table 1. **Proposed equipment list for external modem setup.**

Part	Part no
Modem cable	43320588
Backup battery with shackle	15807009
CA523 Modem with Dipol antenna and DIN rail mounting kit	28007005
CPx16 - CA523 power supply cable	43397000

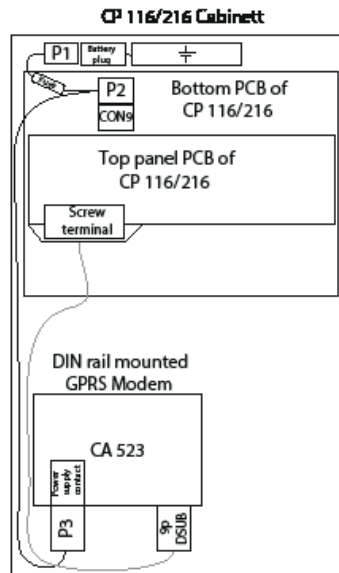


Figure 3. Proposed installation of CA 523 in cabinet.

6 Digital In and Block Pump

“Digital In” means a signal that is either *on* or *off* (*high* or *low*), where *high* is anything between 5 and 24 volts DC and *low* is anything below 2 volts. The same applies to Block Pump. For usage of DI 1 to 6, see Table 1. For configuration details, see the *User Guide*.

Digital In and Block Pump may be connected to either passive devices, such as switches, or active devices that are powered and deliver signals. Connect devices according to the figure below.

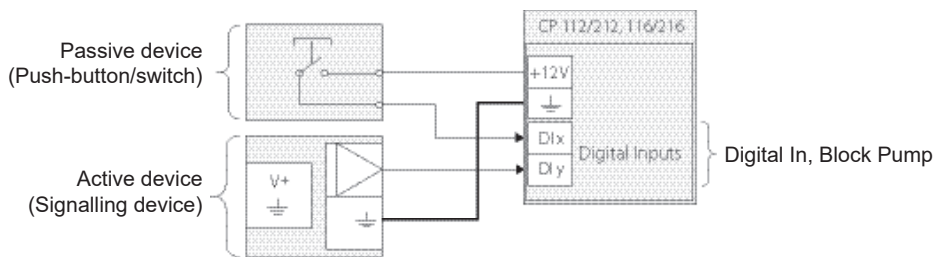


Table 2. Functions for “Digital In”

Digital In	Usage in CP 112/212	Default configuration in CP 116/216
1	High-level float (alarm). Normally open	High-level float (alarm). Normally open
2	Not used	Pulse channel
3	Low-level float (alarm). Normally open	Overflow detector
4	Stop-float P1 and P2. Configurable: normally open/closed.	Low-level float (alarm). Normally open
5	Start-float for pump 1. Normally open	From switch indicating staff in station
6	Start-float for pump 2. Normally open	Alarm reset

7 Alarm relays

See Table 2 for the default configuration of the alarm relays. Capacity: maximum 250 VAC, 4 A, 100 VA resistive load.

Table 3. Functions for alarm relays

Alarm	Default configuration in CP 112/212	Default configuration in CP 116/216
1	Alarm Alert	Alarm Alert
2	Pump 1 blocked	High Level
3	Pump 2 blocked (CP 212)	Personal Alarm Ind (CP 216)

8 Analogue inputs: ‘mA In 1’ and ‘mA In 2’

See Table 3 for the usage of analogue inputs. They sense the current in the range 4–20 mA. In CP 116/216, however, it can be configured for 0–20 mA.

Table 4. Analogue inputs — ‘mA In 1’ and ‘mA In 2’

mA In	Usage in CP 112/212	Usage in CP 116/216
1	Level sensor	Level sensor
2	Back-pressure sensor	Back-pressure sensor or an optional sensor

9 Declaration of conformity

For EC declaration of conformity (DoC) of submodules, please see each device and manufacturer respectively. For Sulzer products DoC is normally found in installation manual.

DoC for CP 112/212, CP 116/216 design is included in this guide.

Table 5. Included external sub modules

Item	Name	Quantity	Manufacturer	Manufacturer part number
1	D10 Circuit breaker ¹	2	EATON/Moeller	270430

¹ <http://datasheet.moeller.net/>

Declaration of Conformity

As defined by:

EMC Directive 2014/30/EU, RoHS II Directive 2011/65/EU, Low Voltage Directive 2014/35/EU

EN	EC Declaration of Conformity	SV	EG-försäkran om överensstämmelse
DE	EG-Konformitätserklärung	NO	EUs Samsvarserklæring
FR	Déclaration de Conformité CE	DA	EC-Overensstemmelseserklæring
NL	EC-Overeenkomstigheidsverklaring	FI	EU-Vaatimustenmukaisuusvakuutus
ES	Declaración de conformidad CE	ET	EÜ Vastavuse deklaratsioon
PT	Declaracão de conformidade CE	PL	Deklaracja zgodności WE
IT	Dichiarazione di conformità CE	CS	Prohlášení o shodě ES
EL	Δήλωση εναρμόνισης EK	SK	EC Vyhlásenie o zhode
TR	AT Uygunluk Beyanı	HU	EK Megfelelőségi nyilatkozat

Sulzer Pump Solutions Ireland Ltd., Clonard Road, Wexford, Ireland

EN:	Name and address of the person authorised to compile the technical file to the authorities on request:
DE:	Name und Adresse der Person, die berechtigt ist, das technische Datenblatt den Behörden auf Anfrage zusammenzustellen:
FR:	Nom et adresse de la personne autorisée pour générer le fichier technique auprès des autorités sur demande :
NL:	Naam en adres van de persoon die geautoriseerd is voor het op verzoek samenstellen van het technisch bestand:
ES:	Nombre y dirección de la persona autorizada para compilar a pedido el archivo técnico destinado a las autoridades:
PT:	Nome e endereço da pessoa autorizada a compilar o ficheiro técnico para as autoridades, caso solicitado:
IT:	Il nome e l'indirizzo della persona autorizzata a compilare la documentazione tecnica per le autorità dietro richiesta:
EL:	Όνομα και διεύθυνση του ατόμου που είναι εξουσιοδοτημένο για τη σύνταξη του τεχνικού φακέλου προς τις αρχές επί τη απαιτήσει:
TR:	Yetkili makamlara istek üzerine teknik dosyayı hazırlamaya yetkili olan kişinin adı ve adresi:
SV:	Namn och adress på den person som är auktoriserad att utarbeta den tekniska dokumentsamlingen till myndigheterna:
NO:	Navn og adresse på den personen som har tillatelse til å sette sammen den tekniske filen til myndighetene ved forespørsel:
DA:	Navn og adresse på den person, der har tilladelse til at samle den tekniske dokumentation til myndighederne ved anmodning om dette:
FI:	Viranomaisten vaatiessa teknisten tietojen lomaketta lomakkeen valtuutetun laatijan nimi ja osoite:
ET:	Isiku nimi ja aadress, kelle pädevuses on koostada nõudmise korral ametiasutustele tehnilist dokumentatsiooni:
PL:	Nazwisko i adres osoby upoważnionej do przygotowania dokumentacji technicznej w przypadku, gdy jest ona wymagana przez władze:
CS:	Jméno a adresa osoby oprávněné na vyžádání ze strany úřadů vytvořit soubor technické dokumentace:
SK:	Meno a adresa osoby oprávnenej na zostavenie technického súboru pre úrady na požiadanie:
HU:	Asmnen, igaliloto valdžios institucijoms pareikalavus sudaryti techninę bylą, vardas, pavardė ir adresas:

Frank Ennenbach, Director Product Safety and Regulations, Sulzer Management AG , Neuwiesenstrasse 15, 8401 Winterthur, Switzerland

EN:	Declare under our sole responsibility that the products:	SV:	Försäkrar under eget ansvar att produkterna:
DE:	Erklärt eigenverantwortlich dass die Produkte:	NO:	Erklærer på eget ansvar, at følgende produkter
FR:	Déclare sous notre seule responsabilité que les produits:	DA:	Erklærer på eget ansvar, at følgende produkter:
NL:	Verklaren geheel onder eigen verantwoordelijkheid dat de producten:	FI:	Vakuutamme yksinomaan omalla vastuullamme, että seuraavat tuotteet
ES:	Declaramos bajo nuestra exclusiva responsabilidad que los productos:	ET:	Deklareerime ainuvastutajana, et tooted:
PT:	Declaramos sob nossa unia responsabilidade que los produtos:	PL:	Deklaruje z pełna odpowiedzialnością, że urządzenia typu:
IT:	Dichiaro sotto la nostra esclusiva responsabilità che i prodotti:	CS:	Prohlašuje na vlastní odpovědnost, že výrobky:
EL:	Δηλώνουμε με αποκλειστική μας ευθύνη ότι τα προϊόντα:	SK:	Vyhlasujeme na našu zodpovednosť, že výrobky:
TR:	Sorumluluk tamamen bize ait olarak beyan ederiz ki aşağıdaki ürünler:	HU:	Felelősségünk teljes tudatában kijelentjük, hogy a termékek:

Control panel type ABS CP 112/212, CP 116/216

EN:	to which this declaration relates are in conformity with the following standards or other normative documents:
DE:	auf die sich diese Erklärung bezieht, den folgenden und/oder anderen normativen Dokumenten entsprechen:
FR:	auxquels se réfère cette déclaration sont conformes aux normes ou à d'autres documents normatifs:
NL:	waarop deze verklaring betrekking heeft, in overeenstemming zijn met de volgende normen of andere normatieve documenten:
ES:	objeto de esta declaración, están conformes con las siguientes normas u otros documentos normativos:
PT:	a que se refere esta declaração está em conformidade com as Normas ou outros documentos normativos:
IT:	ai quali questa dichiarazione si riferisce sono conformi alla seguente norma o ad altri documenti normativi:
EL:	τα οποία αφορά η παρούσα δήλωση είναι σύμφωνα με τα ακόλουθα πρότυπα ή άλλα κανονιστικά έγγραφα:
TR:	bu beyanın konusunu oluşturmakta olup aşağıdaki standart ve diğer norm belgelerine uygundur:
SV:	som omfattas av denna försäkran är i överensstämmelse med följande standarder eller andra regelgivande dokument:
NO:	som dekkes av denne erklæringen, er i samsvar med følgende standarder eller andre normative dokumenter:
DA:	som er omfattet af denne erklæring, er i overensstemmelse med følgende standarder eller andre normative dokumenter:
FI:	joihin tämä vakuutus liittyy, ovat seuraavien standardien sekä muiden sääntöamäärittävien asiakirjojen mukaisia:
ET:	mida käespoolv deklaratatsioon puudutab, on vastavuses järgmistele standardidele ja muudele normatiivdokumentidega:
PL:	do których odnosi się niniejsza deklaracja są zgodne z następującymi normami lub innymi dokumentami normatywnymi:
CS:	na které se toto prohlášení vztahuje, jsou v souladu s následujícími normami nebo jinými normativními dokumenty:
SK:	na ktoré sa vzahuje toto vyhlásenie, zodpovedajú nasledujúcim štandardom a iným záväzným dokumentom:
HU:	amelyekre ez a nyilatkozat vonatkozik, megfelelnek a következőszabványokban és egyéb szabályozó dokumentumokban leírtaknak:

Safety: EN 61010-1:2010
EMC: EN 61326-1:2013

Stockholm 2017-06-15



Brendan Sinnott, General Manager, **Sulzer Pump Solutions Ireland Ltd. Wexford**
 21-03-2022

UKCA Declaration of Conformity

Manufacturer: Sulzer Pump Solutions Ireland Ltd.

Address: Clonard Road, Wexford, Ireland

Declare under our sole responsibility that the product:

Control panel type ABS CP 112/212, CP 116/216

To which this declaration relates is in conformity with the following standards or other normative documents as defined by:

Electromagnetic Compatibility Regulations 2016, S.I. 2016 No 1091

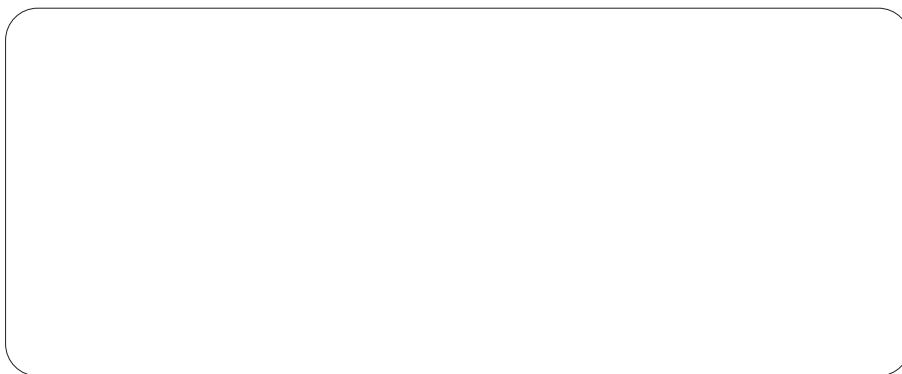
The Restriction of the Use of Certain Hazardous Substances in Electrical and Electronic Equipment Regulations 2012, S.I. 2012 No 3133

Electrical Equipment (Safety) Regulations 2016, S.I. 2016 No 1101

BS EN 61010-1:2010, BS EN 61326-1:2013



Brendan Sinnott
General Manager,
Sulzer Pump Solutions Ireland Ltd.
Wexford
21-03-2022



SULZER

Sulzer Pump Solutions Ireland Ltd., Clonard Road, Wexford, Ireland
Tel. +353 53 91 63 200, www.sulzer.com