

SPARE PARTS LIST/ERSATZTEILLISTE/LISTE DE PIÈCES DE RECHANGE
**SANIMAT 1702
(AS 0840 S12/2, S17/2 & S26/2 D 50Hz)**

Valid from Serial Number: 100 -

 Page :
 Issue of : 28/10/2011
 Supersedes Issue :
 Issue No. : 01,02,03,04
 Drawing ref. Nr. : ANS18088-02

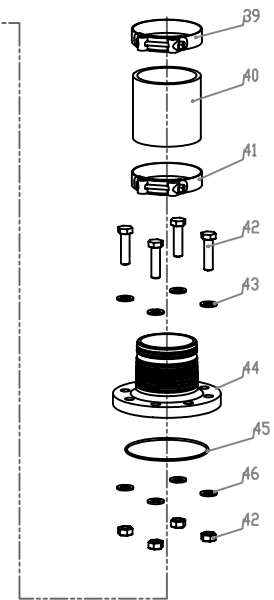
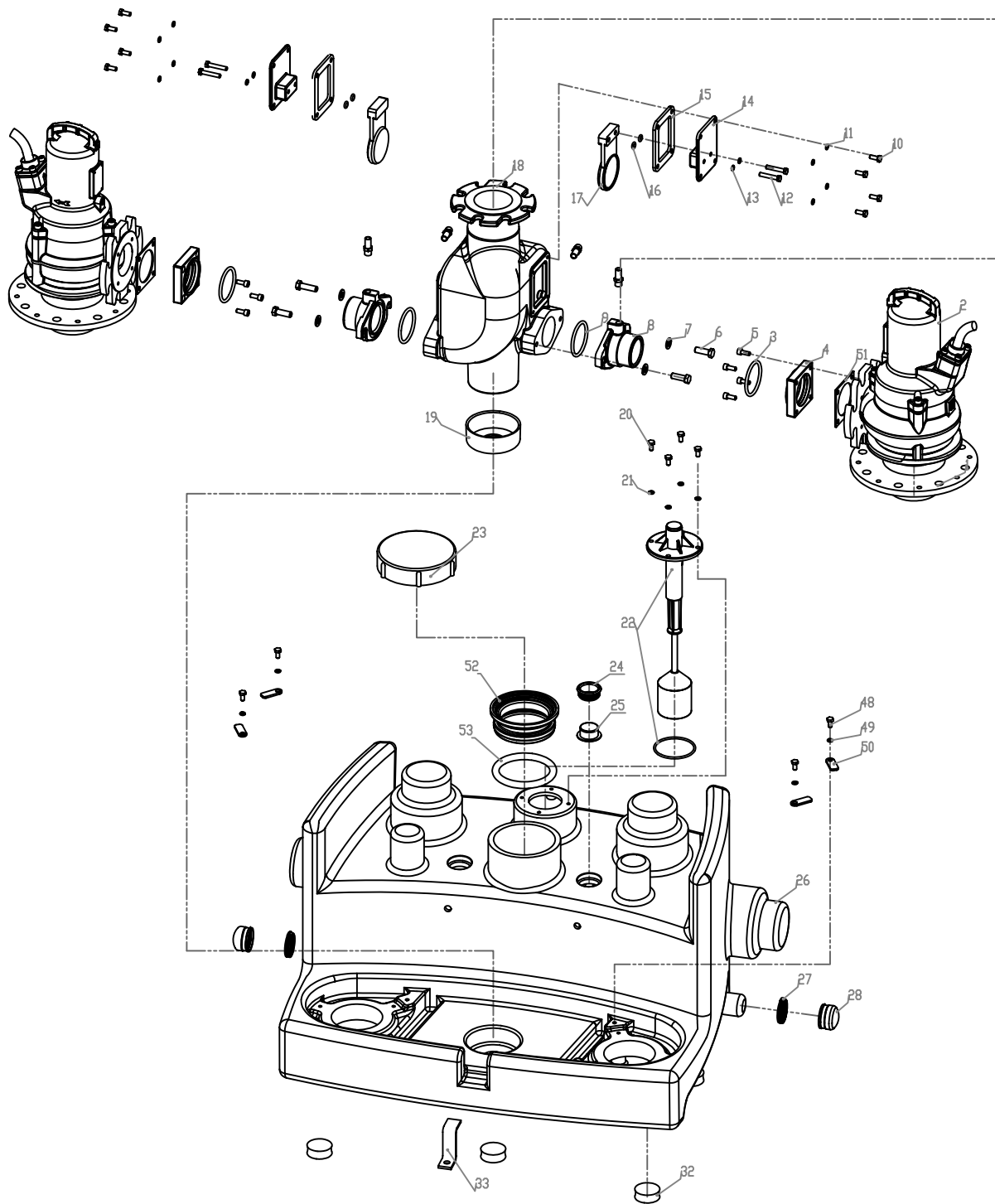
Pos. No.	Part No.	Kit	Qty	Description	Benennung	Designation	Dimensions /Din	Comments	Price
1	11120152		2	Seal cord	Moosgummischnur	Cordon d'caoutchouc	Ø10		
2	06087033		2	Pump	Pumpe	Pompe	230/3/50 (4m cable)	S12/2-Imp. Ø118mm	
2	06087032		2	Pump	Pumpe	Pompe	400/3/50 (4m cable)	S12/2-Imp. Ø118mm	
2	06087024		2	Pump	Pumpe	Pompe	230/3/50 (4m cable)	S17/2-Imp. Ø128mm	
2	06087018		2	Pump	Pumpe	Pompe	400/3/50 (4m cable)	S17/2-Imp. Ø128mm	
2	06087026		2	Pump	Pumpe	Pompe	230/3/50 (4m cable)	S26/2-Imp. Ø142mm	
2	06087025		2	Pump	Pumpe	Pompe	400/3/50 (4m cable)	S26/2-Imp. Ø142mm	
3	11120565		2	O-ring	O-ring	Joint torique	Ø73x6 DIN3771		
4	31745000		2	Connection piece	Doppelmuffe	Tuyau jonction			
5	11210106		8	Cylinder screw	Zylinderschraube	Vis à tête cylindrique	M8x20 DIN912		
6	11200171		4	Hexagonal screw	Sechskantschraube	Vis hexagonal	M12x35 DIN933		
7	11470019		4	Washer	Scheibe	Rondelle	A13 DIN125		
8	31745001		2	Connection piece	Doppelmuffe	Tuyau jonction			
9	11120565		2	O-ring	O-ring	Joint torique	Ø73x6 DIN3771		
10	11200219		8	Hexagonal screw	Sechskantschraube	Vis hexagonal	M8x20 DIN933		
11	11520017		8	Square washer	Vierkantscheibe	Rondelle carré	A8 DIN127		
12	11200152		4	Hexagonal screw	Sechskantschraube	Vis hexagonal	M8x45 DIN931		
13	11520017		4	Square washer	Vierkantscheibe	Rondelle carré	A8 DIN127		
14	32485005		2	Cover	Deckel	Couvercle			
15	43075093		2	Seal	Dichtung	Joint		EPDM	
16	11120234		4	O-ring	O-ring	Joint torique	Ø7.6x4 DIN3771	NBR70	
17	43070210		2	Rubber flap	Dichtung RSK	Rondelle joint			
18	31795003		1	Housing	Gehäuse	Corps			
19	44275008		1	Vibration damper	Viberationsdämpfer	Amortisseur de vib			
20	11200219		4	Hexagonal screw	Sechskantschraube	Vis hexagonal	M8x20 DIN933		
21	11520017		4	Square washer	Vierkantscheibe	Rondelle carré	A8 DIN127		
22	12805040		1	Float Assembly	Schimmshalter	Contacteur a flotteur			
23	42480008		1	Lid	Deckel	Couvercle			
24	11150002		1	Seal	Dichtung	Joint	Ø46x40x20mm		
25	42850004		1	Blocking cap	Verschlußstopfen	Capot			
26	42885013		1	Tank	Behälter	Reservoir			
27	15070047		2	Hose clamp	Schlauschelle	Collier	Ø40-60x10mm	HX 7mmAF	
28	42600623		2	Blocking cap	Verschlußkappe	Capot	Ø46 mm	Rubber	
32	44270030		5	Vibration damper	Viberationsdämpfer	Amortisseur de vib			
33	41425056		3	Bracket left	Haltewinkel	Butée			
34	15020077		2	Pipe Adaptor	Doppelnippel	Adaptateur	R1/4"	Plastic	
35	11570005		2	Hose clamp	Schlauschelle	Collier	13-15	GALV	
36	15060129		2	Hose pipe	Schlauchleitung	Conduite en tuyau	ID1/2"	Flexible PVC reinforced	
37	11570005		2	Hose clamp	Schlauschelle	Collier	13-15	GALV	
38	15020077		2	Pipe Adaptor	Doppelnippel	Adaptateur	R1/4"	Plastic	
39	15070038		1	Hose clamp	Schlauschelle	Collier	Ø125-135x25mm		
40	15060116		1	Hose pipe	Schlauchleitung	Conduite en tuyau	Ø110x8x120mm	Flexible	

SPARE PARTS LIST/ERSATZTEILLISTE/LISTE DE PIÈCES DE RECHANGE
**SANIMAT 1702
(AS 0840 S12/2, S17/2 & S26/2 D 50Hz)**

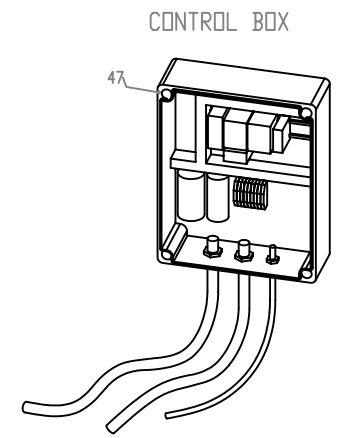
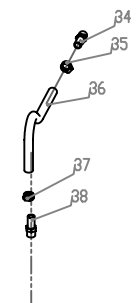
Valid from Serial Number: 100 -

Page :
 Issue of : 28/10/2011
 Supersedes Issue :
 Issue No. : 01,02,03,04
 Drawing ref. Nr. : ANS18088-02

Pos. No.	Part No.	Kit	Qty	Description	Benennung	Designation	Dimensions /Din	Comments	Price
41	15070038		1	Hose clamp	Schlauchschelle	Collier	Ø125-135x25mm		
42	14060100		4	Hex bolt	Sechskantschraube	Vis hexagonal	M16x60	Bolt + Nut	
43	11470008		4	Washer	Scheibe	Rondelle	B17		
44	41400593		1	Flange	Flansch	Bride	DN80	Plastic	
45	11120322		1	O-ring	O-ring	Joint torique	Ø90x10 DIN3771	NBR70	
46	11470008		4	Washer	Scheibe	Rondelle	B17		
47	62160011		1	Control box	Schaltkasten	Boite commande	230/3/50	SMG S12/2,S17/2D	
47	62160010		1	Control box	Schaltkasten	Boite commande	400/3/50	SMG S12/2,S17/2,S26/2D	
47	62160012		1	Control box	Schaltkasten	Boite commande	230/3/50	SMG SAN1702 S26/2D	
48	11200230		4	Hexagonal screw	Sechskantschraube	Vis hexagonal	M8x16 DIN933		
49	11520017		4	Spring washer	Federring	Rondelle	A8 1.4401 DIN127		
50	41425075		4	Bracket left	Haltewinkel	Butée			
51	43070007		2	Gasket	Flachdichtung	Joint plat	95x95x3		
52	42485009		1	Fixing ring	Haltering	Bague		(PE)	
53	11120591		1	O-ring	O-ring	Joint torique	Ø119x12 DIN3771	NBR70	



VENT ASSEMBLY



	SPARE PARTS LIST / ERSATZTEILLISTE 18.088 -02 LIST DE PIÈCES DE RECHANGE SANIMAT 1702	DATE/NAME/ 11.02.03 / BNC/Donald CAD CODE/LAN/S18088 Product Center: IEI	Technical changes reserved Änderungen vorbehalten Sous réserve de modification
	ASSE18.088 -02		
	DATE/NAME/ 11.02.03 / BNC/Donald		
	CAD CODE/LAN/S18088		

NOTE 1:
PRINTED COPIES ARE UNCONTROLLED.
REFER TO SCREEN FOR LATEST REVISION