

Mixing solutions

Flow boosters type ABS XSB



Main industries and applications

The flow booster type ABS XSB is the perfect choice for gently circulating and mixing fluids in sewage treatment plants and industrial areas. It is suitable for all low-speed wastewater mixing and circulating applications, including:

- Equalization of sewage
- Biological processes (aerobic, anoxic and anaerobic)
- Selector (contact zone)

Using Premium Efficiency IE3 motors ranging from 1.0 to 7.5 kW (1.3 to 10.1 hp) and a high-efficiency propeller, the XSB reduces energy consumption by up to 25%.

Also, the superior thrust provided by the XSB means it can often replace two other mixers, reducing your need for investment and maintenance.

The flow booster type ABS XSB combines the market's best energy performance with the best lifecycle economy. By choosing it you also contribute to a healthier environment and reduce your plant's carbon footprint.

Hazardous locations:

Certification for ATEX (Ex II 2G Ex h db IIB T4 Gb), FM and CSA available as an option



Features and benefits

1 Energy-saving, Premium Efficiency IE3 asynchronous motor

- Provides the highest energy efficiency available on the market (classification in accordance with IEC 60034-30)
- Reduces energy consumption by up to 25% over other mixer models – and carbon footprint along with it

2 Robust 3-stage helical gearbox with strong bearing configuration

- Allows numerous reduction ratios via fatigue-strength helical gears
- Provides high efficiency and a calculated lifetime of more than 100'000 hours for the oil-lubricated bearings
- Enables compact and lightweight drives, even where high performance is required

3 Highly efficient and easy-to-mount propeller

- Produces high thrust and high flow capacity in an axial direction with performance-optimized 2- and 3-blade designs
- Self-cleans effectively due to the blade profile and special curved propeller edge
- Reduces strain on the drive unit through extreme smoothness and vibration damping – the result of highly elastic design and geometry
- Transports and installs easily, with blade-by-blade attachment for larger 3-blade models

4 DI system with sensors in the junction box, oil chamber, motor and gearbox

- Provides a warning before water is able to enter the gearbox

5 Patented concrete pedestal with heavy-duty, fully lockable coupling device

- Eliminates turbulence with its streamlined shape and thus improves propeller efficiency
- Suppresses all damaging vibration through its mass and material characteristics
- Resists corrosion and provides a robust, reliable connection to the tank floor
- Allows raising and lowering of the unit for inspection – even in filled tanks

6 TCS (Thermo Control System) with bimetallic contacts as thermal sensors

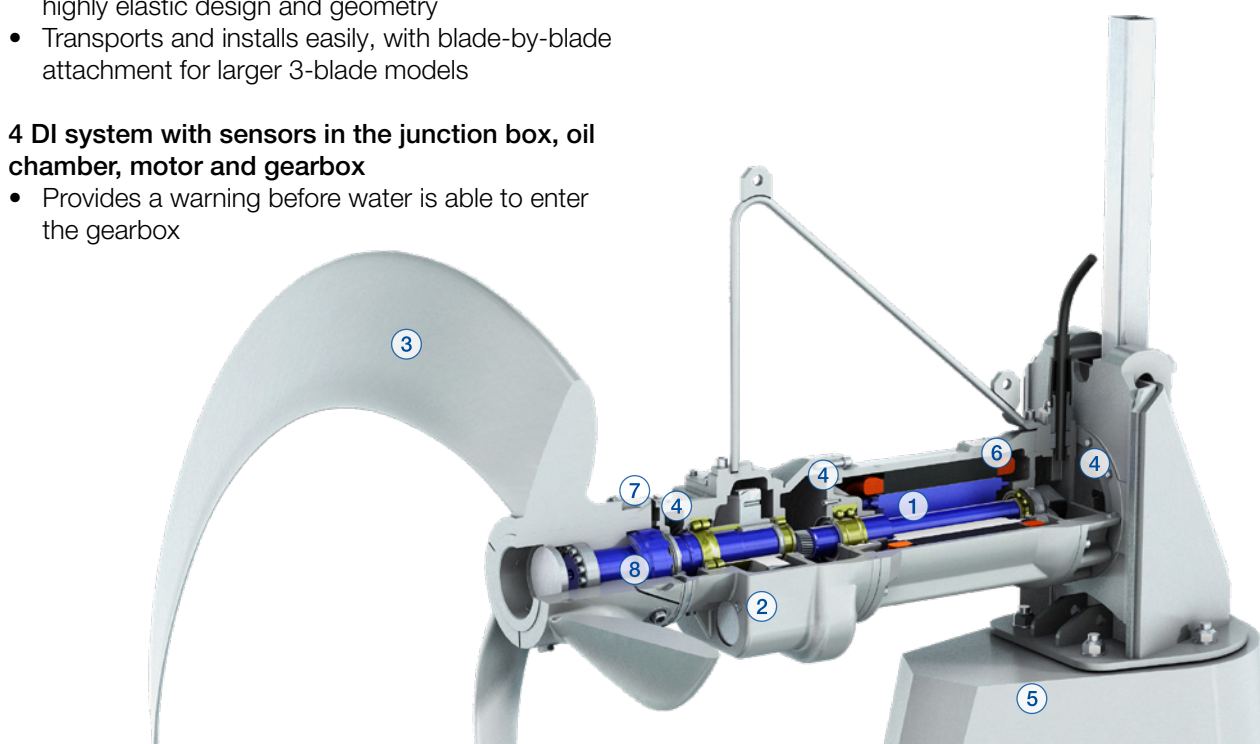
- Provides a warning or switches off the motor automatically before the permissible temperature limit is exceeded, whether due to high-temperature medium or another problem source

7 Solids deflection ring

- Protects the mechanical seal from damage due to the ingress of solids or fibrous matter

8 Enhanced mechanical seal protection system

- Longer seal life
- Prevent clogging of mechanical seal



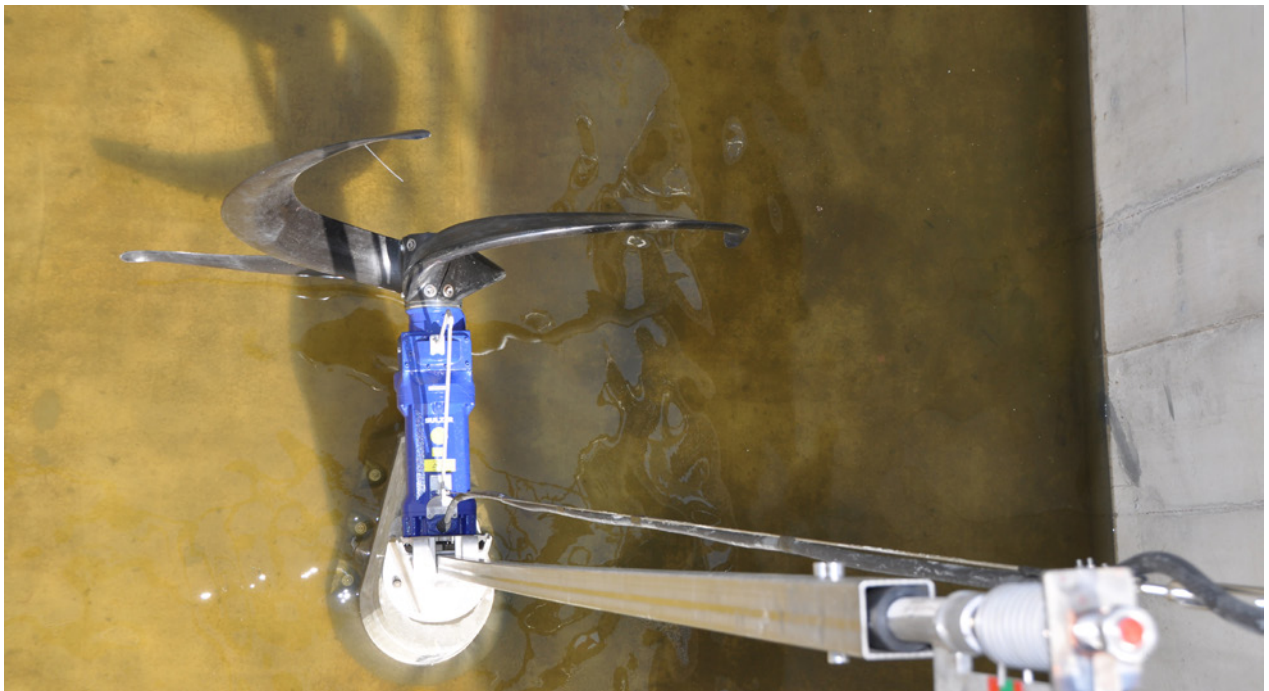
Specifications

Materials

Part	EC (cast iron)
Motor housing	EN1563; EN-GJS-400-18 (GGG-40)
Motor shaft / propeller shaft	1.0060 (St 60-2) / 1.7225 (42CrMo4) encapsulated
Propeller	Composite (fiberglass, resin, gel coat / reinforced solid polyurethane / 1.4571 (AISI 316Ti)
Coupling bracket	DIN 17 445; 1.4408 (CF-8M), (AISI 316)

Operating data

	50 Hz (IE3)	60 Hz (IE2/IE3)
Propeller diameter	900 to 2'750 mm	900 to 2'750 mm 35 to 108 in.
Motor power	up to 7.5 kW	up to 7.5 kW up to 10.1 hp
Motor efficiency	up to 90%	up to 90.7%
Mixing flow	up to 6.2 m ³ /s	up to 6.0 m ³ /s up to 95'200 USgpm



We're more than your partner in better wastewater management

We're your partner in better business. We take the time to understand your facility's unique situation, so we can create the best solution for you, based on the right size unit, before we even visit your site. Once there, our flow boosters will effectively meet your demands, ensuring the perfect balance of speed, power, and efficiency.

For more information about our XSB flow booster series, visit [sulzer.com](https://www.sulzer.com)

Service when and where you need it

Since water and wastewater plants rely on continuously operating equipment, Sulzer offers all the services and technical support you need to maintain your performance.

We have an extensive network of workshops that places us close to you for rapid response. Staffed by highly trained engineers and closely partnered with our manufacturing centers, our workshops are ready to help you whenever and wherever you need it.

- On-site services
- Specialist solutions for asset management
- Upgrades of existing equipment



The Sulzer Flow division keeps your processes flowing. Wherever fluids are treated, pumped, or mixed, we deliver highly innovative and reliable solutions for the most demanding applications.

The Flow division specializes in pumping solutions specifically engineered for the processes of our customers. We provide pumps, agitators, compressors, grinders, screens and filters developed through intensive research and development in fluid dynamics and advanced materials. We are a market leader in pumping solutions for water, oil and gas, power, chemicals and most industrial segments.

E10231 en 9.2024, Copyright © Sulzer Ltd 2024

This brochure is a general presentation. It does not provide any warranty or guarantee of any kind. Please, contact us for a description of the warranties and guarantees offered with our products. Directions for use and safety will be given separately. All information herein is subject to change without notice.

