

SULZER

Massblatt XFP 81C-VX Trockeninstallation

Dimension sheet DRY-WELL Installation

Dimensioni Installazione a secco

Hoja de dimensiones instalacion en seco

Plan d'encombrement Installation a sec

No: AN-M.22.617 -02

Drawn: 11.08.10 / D.WheLAN

Issue Date: 09/05/2013

Änderungen vorbehalten
Technical changes reserved
Con riserva di modifiche
Con reserva de modificaciones
Sous réserve de modification

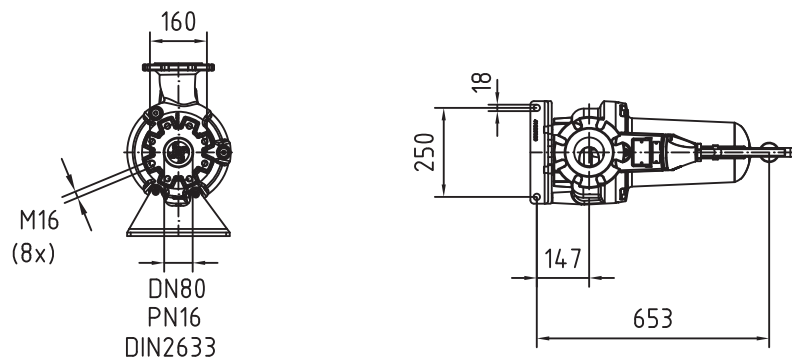
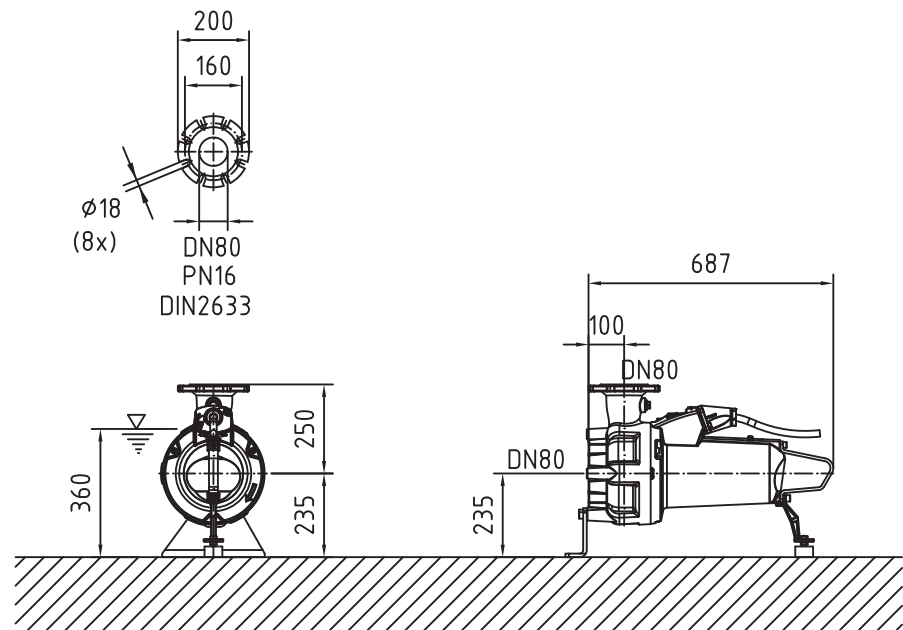
50 Hz

Typ Type Tipo	Gewicht Weight Poids Peso (kg)
PE 30/2	113
PE 40/2	123

S.I.

60 Hz

Typ Type Tipo	Gewicht Weight Poids Peso (kg)
PE 45/2	123



Gewicht: Beinhaltet Pumpe ,horizontal Stützen und Kabel (50 Hz = 10 m; 60 Hz = 15 m)
Weight: includes pump, horizontal supports and cable (50 Hz = 10 m; 60 Hz = 15 m)
Peso: include pompa, supporti orizzontali e cavo (50 Hz = 10 m; 60 Hz = 15 m)
Peso: Incluye bomba, soporte horizontal y cable (50 Hz = 10 m; 60 Hz = 15 m)
Poids : incluant la pompe, les supports horizontaux et le cable (50 Hz = 10 m; 60 Hz = 15 m)

Guss-Allgemeintoleranzen nach DIN1680 - GTB16
General tolerances for castings in acc. to DIN1680-GTB16
Tolleranze generali delle fusioni secondo DIN1680-GTB16
Tolerancias generales para la fundicion seg. de DIN1680-GTB16
Tolérance générale de la fonderie selon DIN1680-GTB16

SULZER

Massblatt XFP 81C-VX Trockeninstallation

No: AN-M.22.617 -02

Dimension sheet DRY-WELL Installation

Drawn: 11.08.10 / D.WheLAN

Dimensioni Installazione a secco

Issue Date: 09/05/2013

Hoja de dimensiones instalacion en seco

Änderungen vorbehalten
Technical changes reserved
Con riserva di modifiche
Con reserva de modificaciones
Sous réserve de modification

Plan d'encombrement Installation a sec

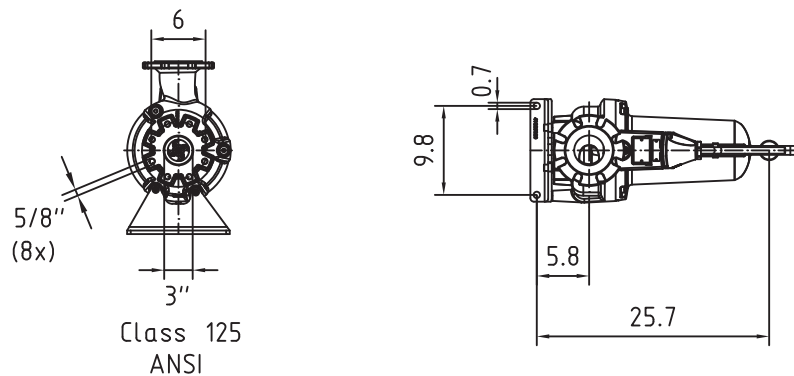
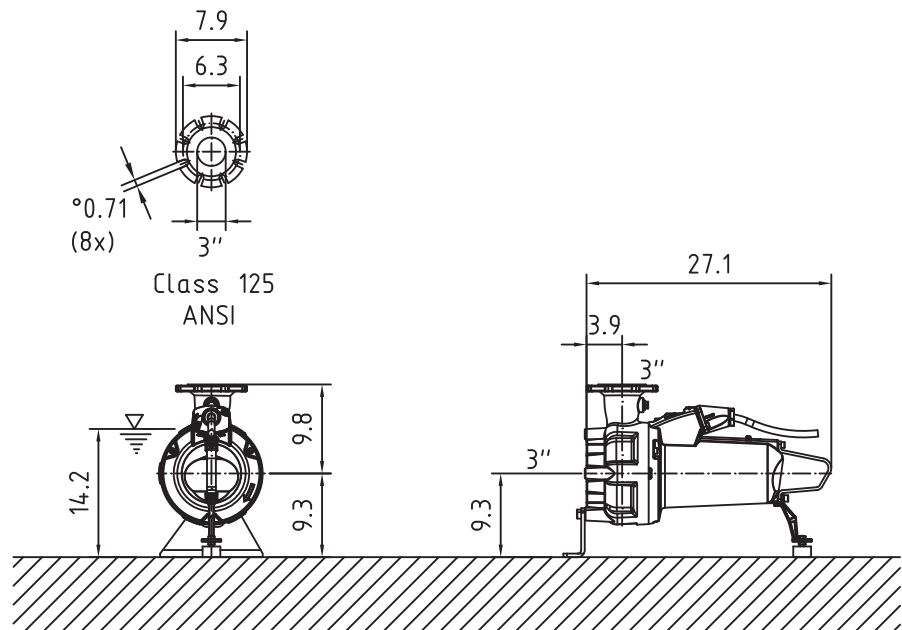
50 Hz

U.S.

Typ Type Tipo	Gewicht Weight Poids Peso (lbs)
PE 30/2	250
PE 40/2	272

60 Hz

Typ Type Tipo	Gewicht Weight Poids Peso (lbs)
PE 45/2	272



Gewicht: Beinhaltet Pumpe ,horizontal Stützen und Kabel (50 Hz = 10 m; 60 Hz = 15 m)
Weight: includes pump, horizontal supports and cable (50 Hz = 10 m; 60 Hz = 15 m)
Peso: include pompa, supporti orizzontali e cavo (50 Hz = 10 m; 60 Hz = 15 m)
Peso: Incluye bomba, soporte horizontal y cable (50 Hz = 10 m; 60 Hz = 15 m)
Poids : incluant la pompe, les supports horizontaux et le cable (50 Hz = 10 m; 60 Hz = 15 m)

Guss-Allgemeintoleranzen nach DIN1680 - GTB16
General tolerances for castings in acc. to DIN1680-GTB16
Tolleranze generali delle fusioni secondo DIN1680-GTB16
Tolerancias generales para la fundicion seg. de DIN1680-GTB16
Tolérance générale de la fonderie selon DIN1680-GTB16