

SULZER

Massblatt XFP 200G-CB1 Trockeninstallation
 Dimension sheet DRY-WELL Installation
 Dimensioni Installazione a secco
 Hoja de dimensiones instalación en seco
 Plan d'encombrement Installation a sec

No: AN-M.22.602 - 05 | 2
 Drawn: 05/08/10 D.Whelan
 Issue Date: 02/12/2021
 Änderungen vorbehalten
 Technical changes reserved
 Con riserva di modifiche
 Con reserva de modificaciones
 Sous réserve de modification

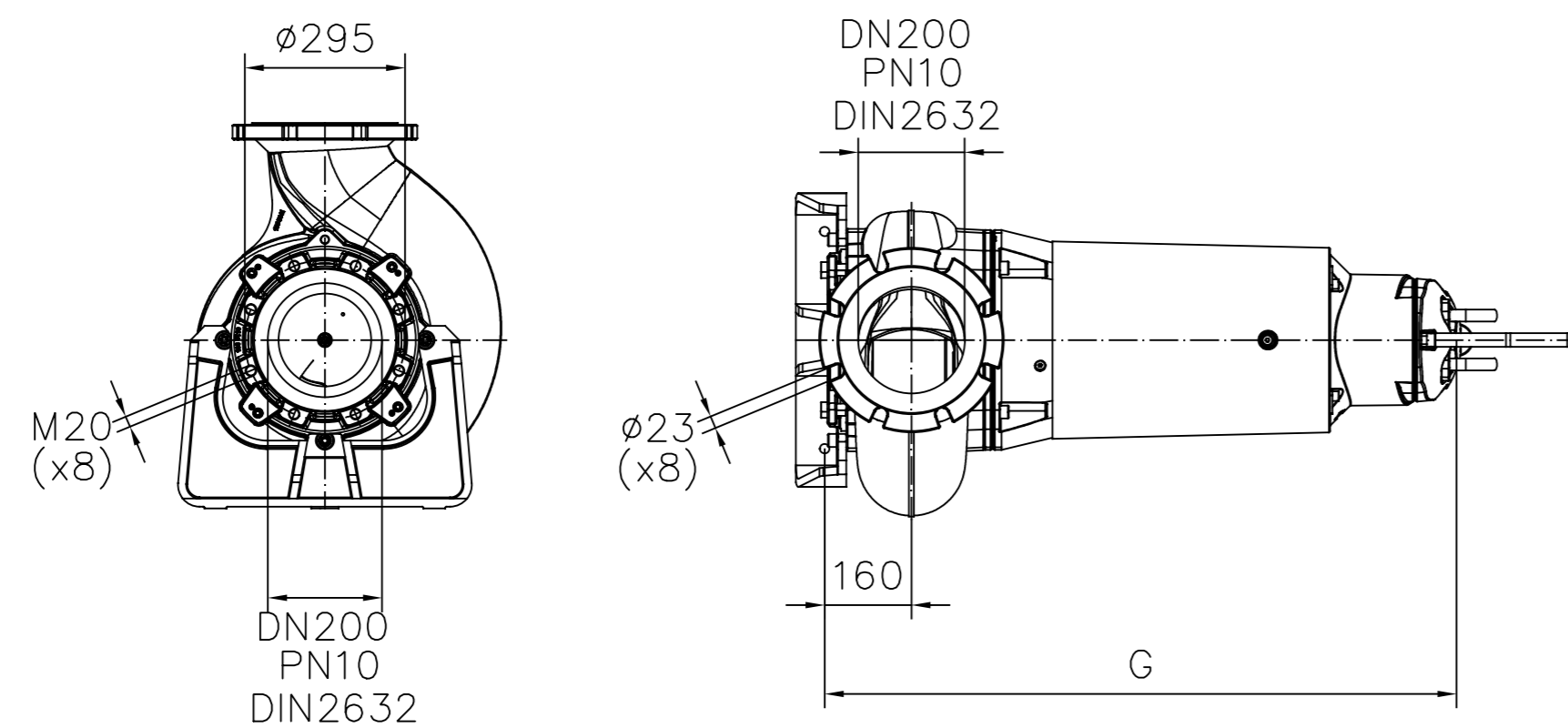
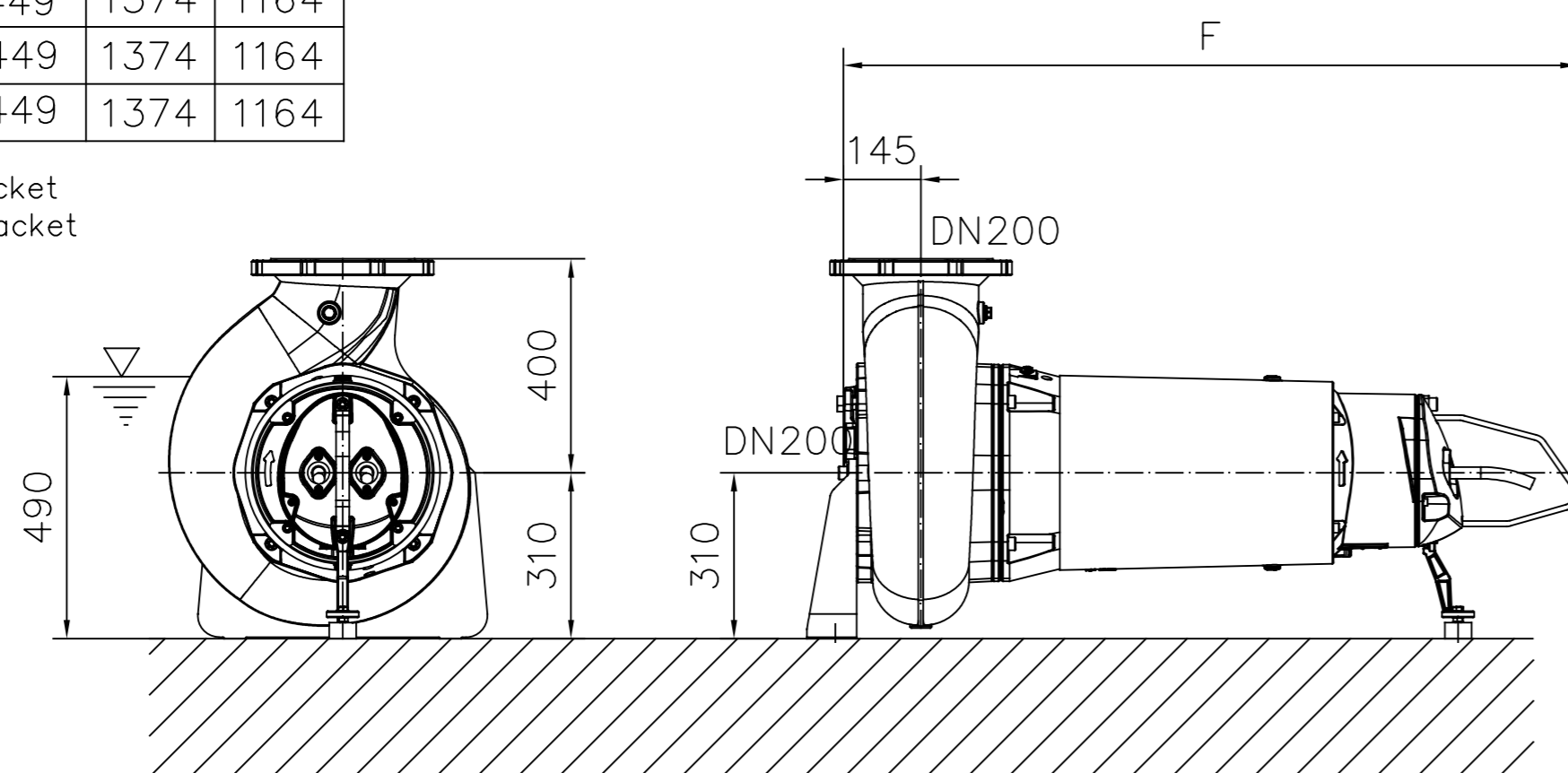
50 Hz**S.I.**

Typ Type Tipo	Gewicht Weight Poids N.C.J. (kg)	Gewicht Weight Poids W.C.J. (kg)	F (mm)	G (mm)
PE 90/6	399	449	1374	1164
PE 110/4	399	439	1374	1164
PE 140/4	399	439	1374	1164
PE 160/4	419	469	1374	1164
PE 185/4	419	469	1374	1164
PE 220/4	429	489	1414	1204

60 Hz

Typ Type Tipo	Gewicht Weight Poids N.C.J. (kg)	Gewicht Weight Poids W.C.J. (kg)	F (mm)	G (mm)
PE 90/6	393	449	1374	1164
PE 110/6	393	449	1374	1164
PE 130/6	393	449	1374	1164

N.C.J. = No Cooling Jacket
 W.C.J. = With Cooling Jacket



Gewicht: Beinhaltet Pumpe ,horizontal Stützen und Kabel (50 Hz = 10 m; 60 Hz = 15 m)
 Weight: includes pump, horizontal supports and cable (50 Hz = 10 m; 60 Hz = 15 m)
 Peso: include pompa, supporti orizzontali e cavo (50 Hz = 10 m; 60 Hz = 15 m)
 Peso: Incluye bomba, soporte horizontal y cable (50 Hz = 10 m; 60 Hz = 15 m)
 Poids : incluant la pompe, les supports horizontaux et le cable (50 Hz = 10 m; 60 Hz = 15 m)

Guss-Allgemeintoleranzen nach DIN1680 - GTB16
 General tolerances for castings in acc. to DIN1680-GTB16
 Tolleranze generali delle fusioni secondo DIN1680-GTB16
 Tolerancias generales para la fundicion seg. de DIN1680-GTB16
 Tolérance générale de la fonderie selon DIN1680-GTB16

SULZER

Massblatt XFP 200G-CB1 Trockeninstallation
 Dimension sheet DRY-WELL Installation
 Dimensioni Installazione a secco
 Hoja de dimensiones instalación en seco
 Plan d'encombrement Installation a sec

No: AN-M.22.602 - 05 | 2
 Drawn: 05/08/10 D.Whelan
 Issue Date: 02/12/2021
 Änderungen vorbehalten
 Technical changes reserved
 Con riserva di modifiche
 Con reserva de modificaciones
 Sous réserve de modification

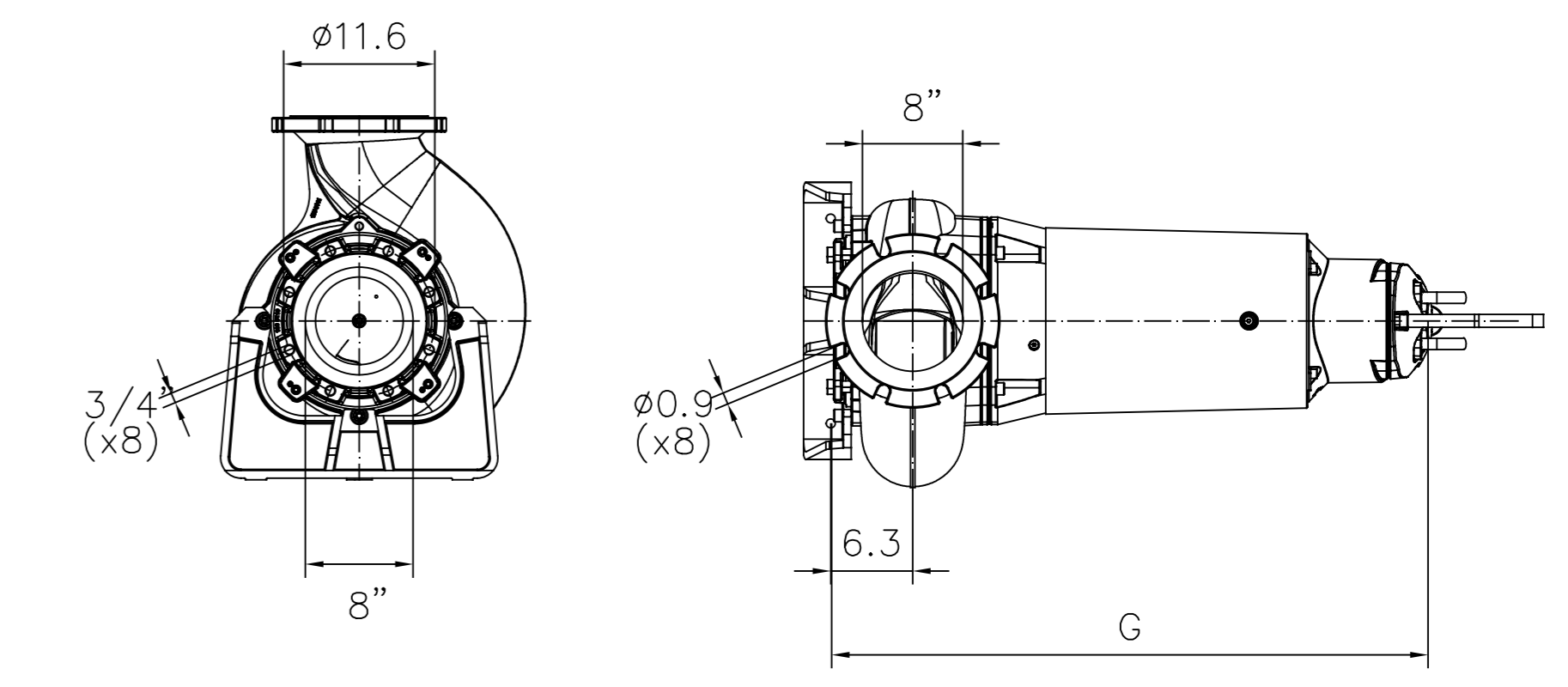
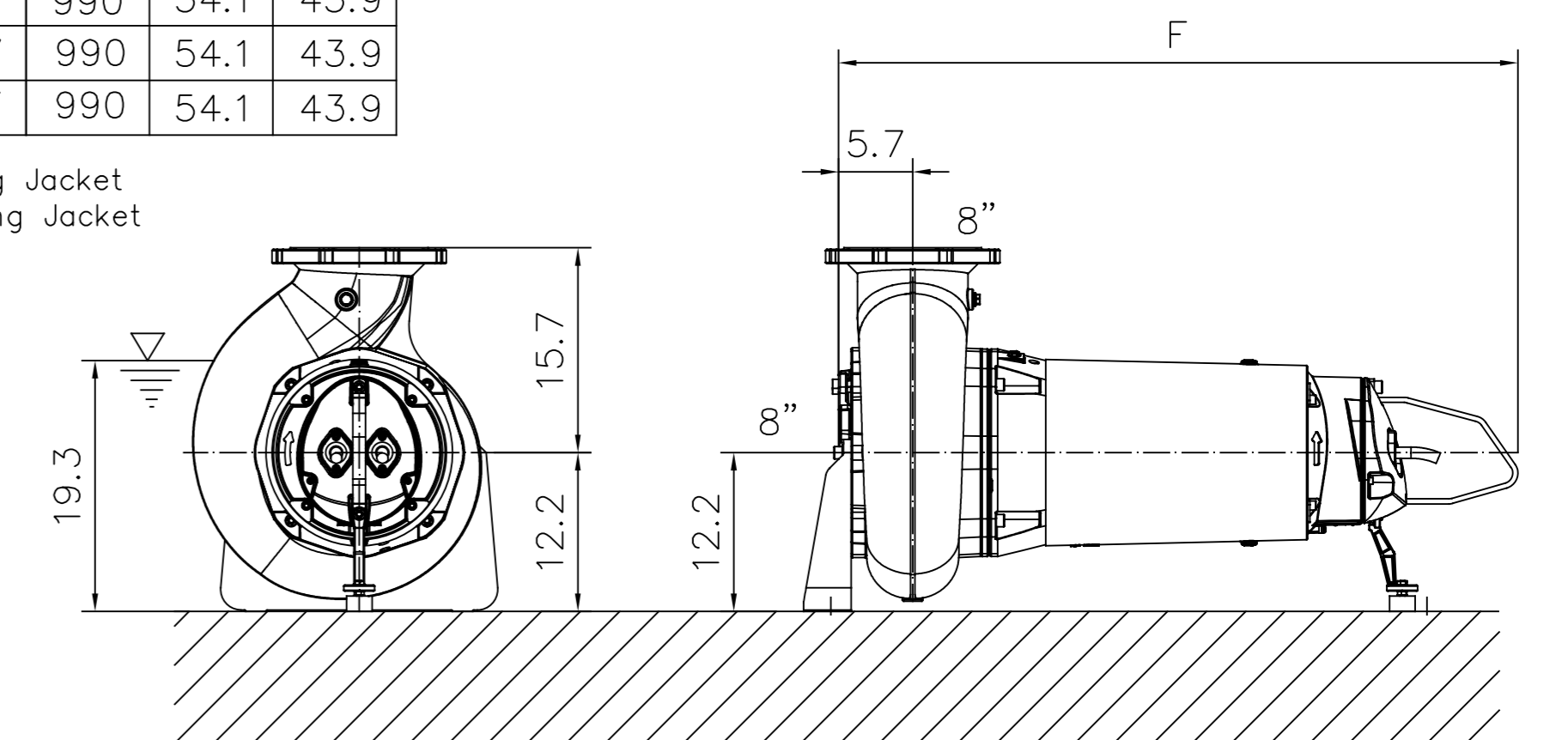
50 Hz**U.S.**

Typ Type Tipo	Gewicht Weight Poids N.C.J. (lbs)	Gewicht Weight Poids W.C.J. (lbs)	F (")	G (")
PE 90/6	880	990	54.1	43.9
PE 110/4	880	968	54.1	43.9
PE 140/4	880	968	54.1	43.9
PE 160/4	924	1034	54.1	43.9
PE 185/4	924	1034	54.1	43.9
PE 220/4	946	1079	55.7	45.5

60 Hz

Typ Type Tipo	Gewicht Weight Poids N.C.J. (lbs)	Gewicht Weight Poids W.C.J. (lbs)	F (")	G (")
PE 90/6	867	990	54.1	43.9
PE 110/6	867	990	54.1	43.9
PE 130/6	867	990	54.1	43.9

N.C.J. = No Cooling Jacket
 W.C.J. = With Cooling Jacket



Gewicht: Beinhaltet Pumpe ,horizontal Stützen und Kabel (50 Hz = 10 m; 60 Hz = 15 m)
 Weight: includes pump, horizontal supports and cable (50 Hz = 10 m; 60 Hz = 15 m)
 Peso: include pompa, supporti orizzontali e cavo (50 Hz = 10 m; 60 Hz = 15 m)
 Peso: Incluye bomba, soporte horizontal y cable (50 Hz = 10 m; 60 Hz = 15 m)
 Poids : incluant la pompe, les supports horizontaux et le cable (50 Hz = 10 m; 60 Hz = 15 m)

Guss-Allgemeintoleranzen nach DIN1680 - GTB16
 General tolerances for castings in acc. to DIN1680-GTB16
 Tolleranze generali delle fusioni secondo DIN1680-GTB16
 Tolerancias generales para la fundicion seg. de DIN1680-GTB16
 Tolérance générale de la fonderie selon DIN1680-GTB16