

Series connections XJ, XJC



General

Two or more pumps can be connected in series for pumping against high heads. Special series connections are available for pump models XJ 25 - XJ 110, XJC 50 - XJC 110.

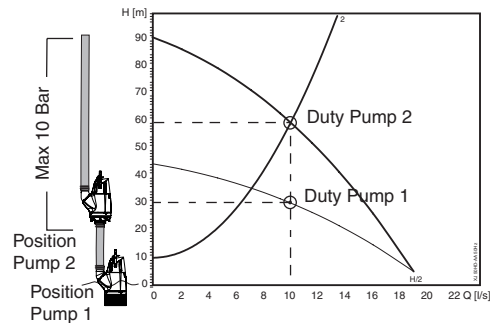
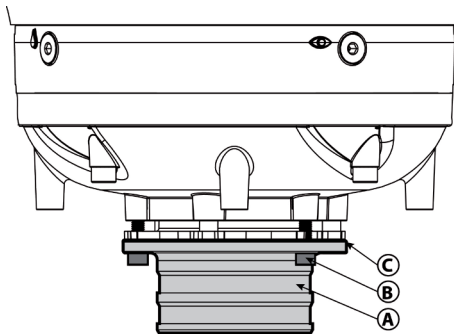
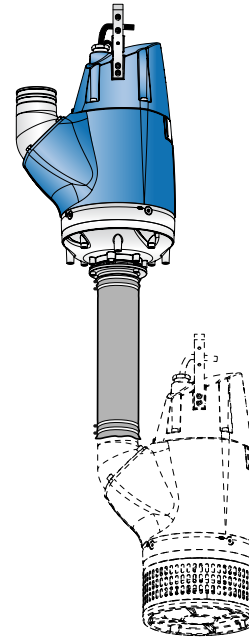
The series connections have a centre inlet for connection and the water is fed directly into the diffuser. The series connection replaces the bottom part on a pump and is mounted as shown in the figure below. With the few parts needed it is a quick and simple operation to install series connections on XJ-pumps.

Procedure

It is recommended to space the pumps at equal head intervals in order to distribute the counter on pressure evenly along the line, but two pumps may be mounted together in a tandem unit if necessary. Pressure classes on the hose/pipe equipment need to be considered if pumps are mounted together and the pressure must not exceed 10 bar out of series connected pumps.

The pumping capacity for a series arrangement is obtained by dividing the total head by the number of pumps in the chain and reading off the capacity for a single pump at this head.

ABSEL can be used to select and dimension pumps for series connections.



Specification

Description	Pos.	XJ 25 - XJ 40 - XJ 50 - XJ 80 - XJ 110 (HD) XJC 50 - XJC 80 - XJC 110 (HD)	XJ 110 (ND) XJC 110 (ND)
Series connection kit including pos A-C.		00863325 (3") 00863326 (4")	310.100.080.002 (4")
Series connection	A	00863322 (3") 00863323 (4")	310.100.080.001 (4")
Screws	B	00831952	00831952
O-ring	C	00833324	00830812