


SPARE PARTS LIST/ERSATZTEILLISTE/LISTE DE PIÈCES DE RECHANGE
AS 0840 S12/2 W&D, S17/2 D 50Hz Std. & EX

Valid from Serial Number: 100 -

 Page :
 Issue of : 20/10/11
 Supersedes Issue :
 Issue No. : 01,02,03,04
 Drawing ref. Nr. : ANS12029-04

Pos. No.	Part No.	Kit	Qty	Description	Benennung	Designation	Dimensions /Din	Comments	Price
1	31005033		1	Motorhousing	Motorgehäuse	Carcasse moteur			
2	11120829	AB	1	O-ring	O-ring	Joint torique	Ø32x3 DIN3771	Viton	
3	43025563		1	Cable	Kabel	Cable	4x1.5 Tecwater	10m (W/D)	
3	43025569		1	Cable	Kabel	Cable	4x1.5 Tecwater	20m (W/D)	
3	43025657		1	Cable	Kabel	Cable	4x1.5 Tecwater	30m (W/D)	
3	43025540		1	Cable	Kabel	Cable	7x1.5 Tecwater	10m (W)	
3	43025541		1	Cable	Kabel	Cable	7x1.5 Tecwater	20m (W)	
3	43025542		1	Cable	Kabel	Cable	7x1.5 Tecwater	30m (W)	
3	43025535		1	Cable	Kabel	Cable	7x1.5 Tecwater	10m (D)	
3	43025536		1	Cable	Kabel	Cable	7x1.5 Tecwater	20m (D)	
3	43025537		1	Cable	Kabel	Cable	7x1.5 Tecwater	30m (D)	
4	31325008		1	Cable cap	Kabeleinführung	Entree de cable	GG25 (Ø12)	Cable 4x1.5	
4	31320140		1	Cable cap	Kabeleinführung	Entree de cable	GG25 (Ø20)	Cable 4x1.5+3x0.5 Cable 7x1.5	
5	42015009		2	Washer	Scheibe	Rondelle	Ø34x18x1.5		
6	11210238		4 (2)	Cylinder screw	Zyl.Blechschaube	Vis à tête plate	M8x30 DIN912	(2) for EasyFit cable	
8	43075058	A	1	Cable seal	Kabeldichtung	Joint de kabel	Ø34x11.5x29.5H	Cable 4x1.5	
8	43075056	B	1	Cable seal	Kabeldichtung	Joint de kabel	Ø34x11.5x29.5H (viton)	Cable 4x1.5	
8	43075048	A	1	Cable seal	Kabeldichtung	Joint de kabel	Ø34x16x29.5H	Cable 4x1.5+3x0.5 Cable 7x1.5 SO7RN-F OZ+	
8	43075057	B	1	Cable seal	Kabeldichtung	Joint de kabel	Ø34x16x29.5H (viton)	Cable 4x1.5+3x0.5 Cable 7x1.5 SO7RN-F OZ+	
8	43075049	A	1	Cable seal	Kabeldichtung	Joint de kabel	Ø34x16.8x29.5H	Cable 7x1.5 TL07RN-F	
8	43075028	A	1	Cable seal	Kabeldichtung	Joint de kabel	Ø34x13.8x29.5H	Cable 7x1.5 Tecwater	
8	43075068	B	1	Cable seal	Kabeldichtung	Joint de kabel	Ø34x16.8x29.5H (Viton)	Cable 7x1.5 TL07RN-F	
8	43075034	B	1	Cable seal	Kabeldichtung	Joint de kabel	Ø34x13.8x29.5H (Viton)	Cable 7x1.5 Tecwater	
9	12180044		3	Butt connection	St. verbinder	Connecteur	Ø1.0-2.5mm		
10	11060005		1	Support Washer	Tragscheibe	Rondelle	Ø20x28x2 DIN988		
11	11010048		1	Ball bearing	Kugellager	Roulement à billes	6304 Z DIN625		
12	11120817	A	1	O-ring	O-ring	Joint torique	Ø160x3 DIN3771		
12	11120870	B	1	O-ring	O-ring	Joint torique	Ø160x3 DIN3771	Viton	
13	11080010	AB	1	Circlip	Sicherungsring	Circlips	Ø52x2 DIN472		
14	11110001		1	Mechanical seal	Gleitringdichtung	Garniture mecanique	Ø20mm		
14	11110149		1	Mechanical seal	Gleitringdichtung	Garniture mecanique	Ø20mm (Viton)	Viton	
15	11470072		1	Washer	Scheibe	Rondelle	Ø8.4 DIN9021		
16	11200230		1	Hexagonal screw	Sechskantschraube	Vis hexagonal	M8x16 DIN933		
17	14990008		1	Shackle	Schäkel	Manille	DIN82101		
18	11010013		1	Ball bearing	Kugellager	Roulement à billes	6201 2RSR DIN625		
19	65005339		1	Stator	Wicklung	Stator	230/1/50		
19	65005453		1	Stator	Wicklung	Stator	230/3/50		
19	65005341		1	Stator	Wicklung	Stator	400/3/50		
19	65005789		1	Stator	Wicklung	Stator	400/3/50	Without klixon	

SULZER

SPARE PARTS LIST/ERSATZTEILLISTE/LISTE DE PIÈCES DE RECHANGE

AS 0840 S12/2 W&D, S17/2 D 50Hz Std. & EX

Valid from Serial Number: 100 -

Page :
 Issue of : 20/10/11
 Supersedes Issue :
 Issue No. : 01,02,03,04
 Drawing ref. Nr. : ANS12029-04

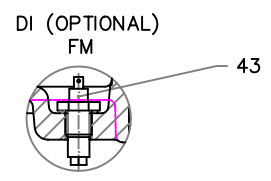
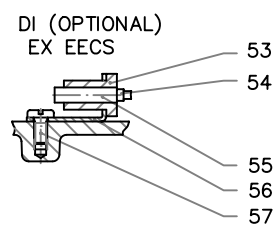
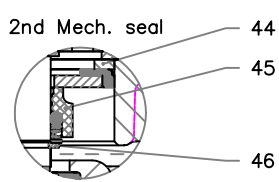
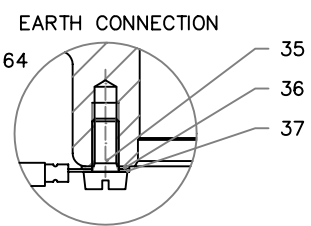
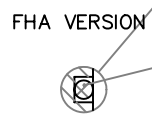
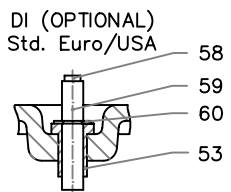
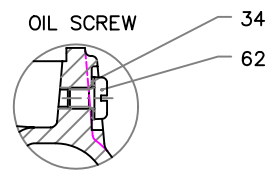
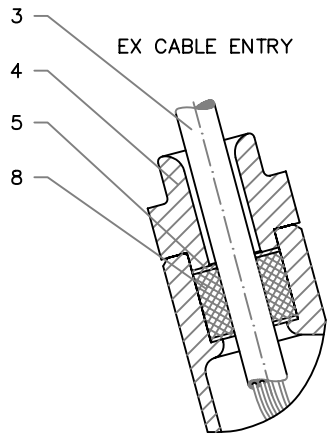
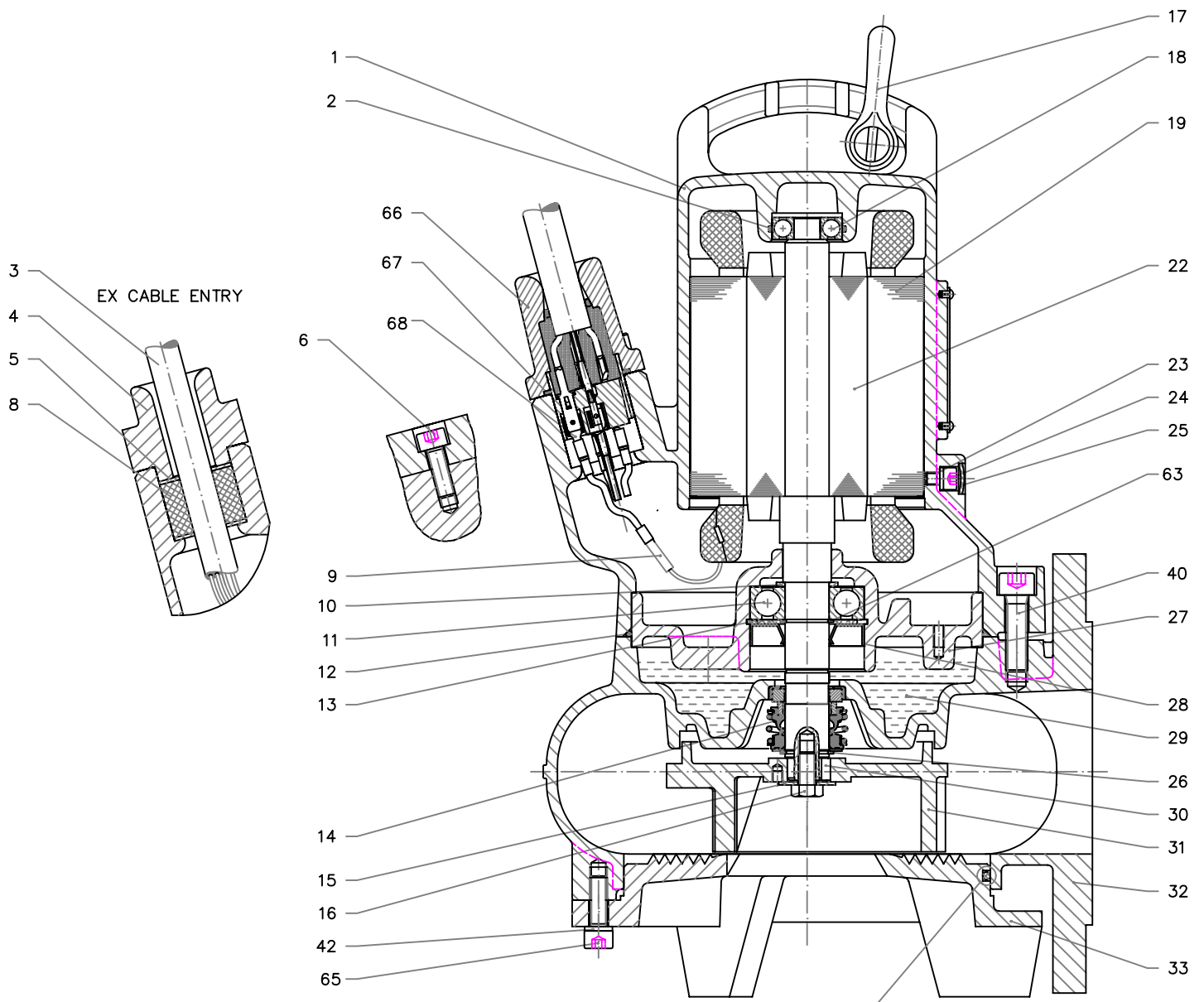
Pos. No.	Part No.	Kit	Qty	Description	Benennung	Designation	Dimensions /Din	Comments	Price
19	65005454		1	Stator	Wicklung	Stator	500/3/50		
22	65015076		1	Rotor with shaft	Rotor mit Welle	Rotor avec arbre	1.4021		
22	65015080		1	Rotor with shaft	Rotor mit Welle	Rotor avec arbre	1.4401		
23	11130003	AB	1	Seal ring	Dichtung	Rondelle joint	Ø6x10 DIN7603		
24	11210253		1	Cylinder screw	Zylinderschraube	Vis à tête cylindrique	M6x10 DIN912		
25	11490020	AB	1	Seal washer	Verschlußscheibe	Rondelle joint	DIN470		
26	11070005	AB	1	Circlip	Sicherungsring	Circlip	Ø20x1.2 DIN471	1.4122	
27	31155023		1	Bearing lid	Lager deckel	Couvercle palier	GG25	Std./EX EECS	
27	31155035		1	Bearing lid	Lager deckel	Couvercle palier	GG25	Std.Euro/US DI-probe	
28	11090009	AB	1	Lip seal	Wellendichtung	Joint à levres	Ø20x52x10 DIN3760		
29	11030046		0.43	Oil	Öl	Huile			
30	11630128		1	Impeller key	Paßfeder	Clavette	6x6x10 DIN6885		
31	35075116		1	Impeller	Lauftrad	Roue	Ø110	S12/2	
31	35075108		1	Impeller	Lauftrad	Roue	Ø118	S12/2	
31	35075107		1	Impeller	Lauftrad	Roue	Ø128	S17/2	
32	31055018		1	Volute	Kreiselkammer	Corps de pompe			
33	31060030		1	Bottom plate	Bodenplatte	Plaque de base			
33	31060032		1	Bottom plate	Bodenplatte	Plaque de base		FHA	
33	31060034		1	Bottom plate	Bodenplatte	Plaque de base		Fitting skirt base (42570601)	
34	11650001	AB	1	Locking Washer	Klemmscheibe	Rondelle-frein	M8 PVC/NITR		
34	11120141	AB	1	O-ring	O-ring	Joint torique	Ø7x3 DIN3771		
35	11260104		1	Hexagonal screw	Sechskantschraube	Vis hexagonal	M5x10 DIN85 GV		
36	11500003		1	Locking washer	Sicherungsscheibe	Tole-frein	A5.1 DIN6797		
37	12180014		1	Cable shoe	Flachsteckhülse	Cosse-câble	Ø1.5-2.5mm		
40	11210239		3	Cylinder screw	Zylinderschraube	Vis à tête cylindrique	M10x35 DIN912		
42	11470072		3	Washer	Scheibe	Rondelle	Ø8.4 DIN9021		
43				Not available	nicht lieferbar	pas disponible			
44	11060014		1	Support washer	Tragscheibe	Rondelle	Ø42x52x2.5 DIN988		
45	11100066		1	Mechanical seal	Gleitringdichtung	Garniture mecanique	Ø20mm	CARBON-CHROME	
46	11070006	AB	1	Circlip	Sicherungsring	Circlip	Ø20x1.2 DIN471		
53	43070326		1	Seal for DI	Dichtung für DI	Joint pour DI			
54	12180144		1	Round plug	Rundstecker	Fiche ronde	Ø4mm		
55	42130403		1	DI-probe	DI-electrode	Sonde DI			
56	41425032		1	Bracket	Haltewinkel	Butée			
57	11260091		1	Lens Head Screw	Flachkopfschraube	Vis à tête plate	M5x12 DIN85		
58	12180144		1	Round plug	Rundstecker	Fiche ronde	Ø4mm		
59	42135000		1	DI-probe	DI-electrode	Sonde DI			
60	11080027		1	Circlip	Sicherungsscheibe	Circlip	Ø7x0.9mm DIN6799		
62	11260100		1	Lens Head Screw	Flachkopfschraube	Vis à tête plate	M8x10 DIN85		
63	11070006	AB	1	Circlip	Sicherungsring	Circlip	Ø20x1.2 DIN471		
64	11120082		1	O-ring	O-ring	Joint torique	Ø155x4 DIN3771	FHA version	
65	11210243		3	Cylinder screw	Zylinderschraube	Vis à tête cylindrique	M8x25 DIN912	1.4401	


SPARE PARTS LIST/ERSATZTEILLISTE/LISTE DE PIÈCES DE RECHANGE
AS 0840 S12/2 W&D, S17/2 D 50Hz Std. & EX

Valid from Serial Number: 100 -

Page :
 Issue of : 20/10/11
 Supersedes Issue :
 Issue No. : 01,02,03,04
 Drawing ref. Nr. : ANS12029-04

Pos. No.	Part No.	Kit	Qty	Description	Benennung	Designation	Dimensions /Din	Comments	Price
66	43025339		1	Cable EasyFit	Kabel EasyFit	Cable EasyFit	4x1.5 TecWater	10m (W/D)	
66	43025340		1	Cable EasyFit	Kabel EasyFit	Cable EasyFit	4x1.5 TecWater	20m (W/D)	
66	43025341		1	Cable EasyFit	Kabel EasyFit	Cable EasyFit	4x1.5 TecWater	30m (W/D)	
66	43025334		1	Cable EasyFit	Kabel EasyFit	Cable EasyFit	7x1.5 TecWater	10m (W)	
66	43025335		1	Cable EasyFit	Kabel EasyFit	Cable EasyFit	7x1.5 TecWater	20m (W)	
66	43025336		1	Cable EasyFit	Kabel EasyFit	Cable EasyFit	7x1.5 TecWater	30m (W)	
66	43025323		1	Cable EasyFit	Kabel EasyFit	Cable EasyFit	7x1.5 TecWater	10m (D)	
66	43025325		1	Cable EasyFit	Kabel EasyFit	Cable EasyFit	7x1.5 TecWater	20m (D)	
66	43025327		1	Cable EasyFit	Kabel EasyFit	Cable EasyFit	7x1.5 TecWater	30m (D)	
67	11120829		1	O-ring	O-ring	Joint torique	Ø32x3 DIN3771	Viton	
68	12180002		1	Cable shoe	Flachsteckhülse	Cosse-câble			
	61195072	A	1	Seal kit	Dichtungssatz	Jeu de joint complet			
	61195076	B	1	Seal kit	Dichtungssatz	Jeu de joint complet	Viton		



SULZER	SPARE PARTS LIST / ERSATZTEILLISTE	AN-S 12.29 -04
	LIST DE PIÈCES DE RECHANGE	CAD CODE: G:\DWG\ANSI12029
	AS0840 S16-S18/2 60Hz	25.09.98 C.QUIRKE
	AS0840 S12-S17/2 50Hz	Technical changes reserved Änderungen vorbehalten Sua reserva de modificação
	Product Center: IEM	