


SPARE PARTS LIST/ERSATZTEILLISTE/LISTE DE PIÈCES DE RECHANGE
AS 0530 S12/2W&D, S17/2D 50Hz Std.& EX

Valid from Serial Number: 100 -

Page :
 Issue of : 20/10/11
 Supersedes Issue :
 Issue No. : 01,02,03,04
 Drawing ref. Nr. : ANS12062-03

Pos. No.	Part No.	Kit	Qty	Description	Benennung	Designation	Dimensions /Din	Comments	Price
1	31005033		1	Motorhousing	Motorgehäuse	Carcasse moteur			
2	11120829	AB	1	O-ring	O-ring	Joint torique	Ø32x3 DIN3771	Viton	
3	43025563		1	Cable	Kabel	Cable	4x1.5 Tecwater	10m (W/D)	
3	43025569		1	Cable	Kabel	Cable	4x1.5 Tecwater	20m (W/D)	
3	43025657		1	Cable	Kabel	Cable	4x1.5 Tecwater	30m (W/D)	
3	43025540		1	Cable	Kabel	Cable	7x1.5 Tecwater	10m (W)	
3	43025541		1	Cable	Kabel	Cable	7x1.5 Tecwater	20m (W)	
3	43025542		1	Cable	Kabel	Cable	7x1.5 Tecwater	30m (W)	
3	43025535		1	Cable	Kabel	Cable	7x1.5 Tecwater	10m (D)	
3	43025536		1	Cable	Kabel	Cable	7x1.5 Tecwater	20m (D)	
3	43025537		1	Cable	Kabel	Cable	7x1.5 Tecwater	30m (D)	
4	31325008		1	Cable cap	Kabeleinführung	Entree de cable	GG25 (Ø12)	Cable 4x1.5	
4	31320140		1	Cable cap	Kabeleinführung	Entree de cable	GG25 (Ø20)	Cable 4x1.5+3x0.5 Cable 7x1.5	
5	42015009		2	Washer	Scheibe	Rondelle	Ø34x18x1.5		
6	11210238		4(2)	Cylinder screw	Zyl.Blechschaube	Vis à tête plate	M8x30 DIN912	(2) EasyFit	
8	43075058	A	1	Cable seal	Kabeldichtung	Joint de kabel	Ø34x11.5x29.5H	Cable 4x1.5	
8	43075056	B	1	Cable seal	Kabeldichtung	Joint de kabel	Ø34x11.5x29.5H (viton)	Cable 4x1.5	
8	43075048	A	1	Cable seal	Kabeldichtung	Joint de kabel	Ø34x16x29.5H	Cable 4x1.5+3x0.5 Cable 7x1.5 SO7RN-F OZ+	
8	43075057	B	1	Cable seal	Kabeldichtung	Joint de kabel	Ø34x16x29.5H (viton)	Cable 4x1.5+3x0.5 Cable 7x1.5 SO7RN-F OZ+	
8	43075049	A	1	Cable seal	Kabeldichtung	Joint de kabel	Ø34x16.8x29.5H	Cable 7x1.5 TL07RN-F	
8	43075028	A	1	Cable seal	Kabeldichtung	Joint de kabel	Ø34x13.8x29.5H	Cable 7x1.5 Tecwater	
8	43075068	B	1	Cable seal	Kabeldichtung	Joint de kabel	Ø34x16.8x29.5H (Viton)	Cable 7x1.5 TL07RN-F	
8	43075034	B	1	Cable seal	Kabeldichtung	Joint de kabel	Ø34x13.8x29.5H (Viton)	Cable 7x1.5 Tecwater	
9	12180044		3	Butt connection	St. verbinder	Connecteur	Ø1.0-2.5mm		
10	11060005		1	Support Washer	Tragscheibe	Rondelle	Ø20x28x2 DIN988		
11	11010048		1	Ball bearing	Kugellager	Roulement à billes	6304 Z DIN625		
12	11120817	A	1	O-ring	O-ring	Joint torique	Ø160x3 DIN3771		
12	11120870	B	1	O-ring	O-ring	Joint torique	Ø160x3 DIN3771	Viton	
13	11080010	AB	1	Circlip	Sicherungsring	Circlips	Ø52x2 DIN472		
14	11110001		1	Mechanical seal	Gleitringdichtung	Garniture mecanique	Ø20mm		
14	11110149		1	Mechanical seal	Gleitringdichtung	Garniture mecanique	Ø20mm (Viton)	Viton	
15	11470026		3	Washer	Scheibe	Rondelle	A6.4 DIN9021	1.4401	
16	11210106		1	Cylinder screw	Zylinderschraube	Vis à tête cylindrique	M8x20 DIN912		
17	11120501	AB	1	O-ring	O-ring	Joint torique	Ø145x4 DIN3771		
18	14990008		1	Shackle	Schäkel	Manille	DIN82101		
19	11010013		1	Ball bearing	Kugellager	Roulement à billes	6201 2RSR DIN625		
20	65005339		1	Stator	Wicklung	Stator	230/1/50		
20	65005453		1	Stator	Wicklung	Stator	230/3/50		
20	65005341		1	Stator	Wicklung	Stator	400/3/50		


SPARE PARTS LIST/ERSATZTEILLISTE/LISTE DE PIÈCES DE RECHANGE
AS 0530 S12/2W&D, S17/2D 50Hz Std.& EX

Valid from Serial Number: 100 -

Page :
 Issue of : 20/10/11
 Supersedes Issue :
 Issue No. : 01,02,03,04
 Drawing ref. Nr. : ANS12062-03

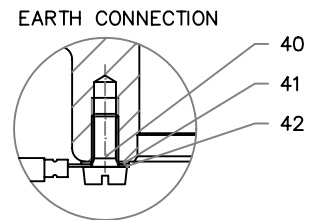
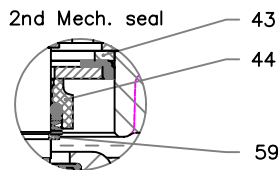
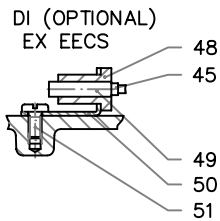
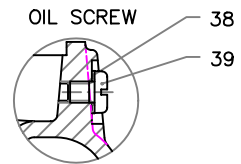
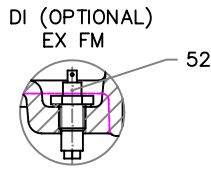
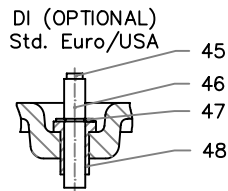
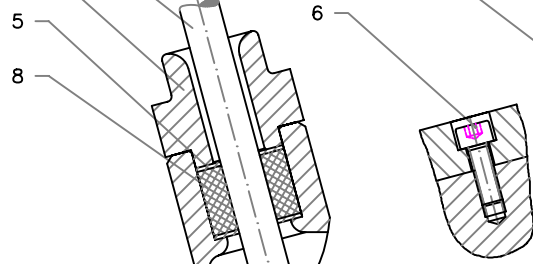
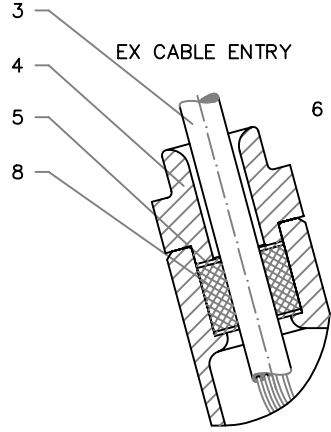
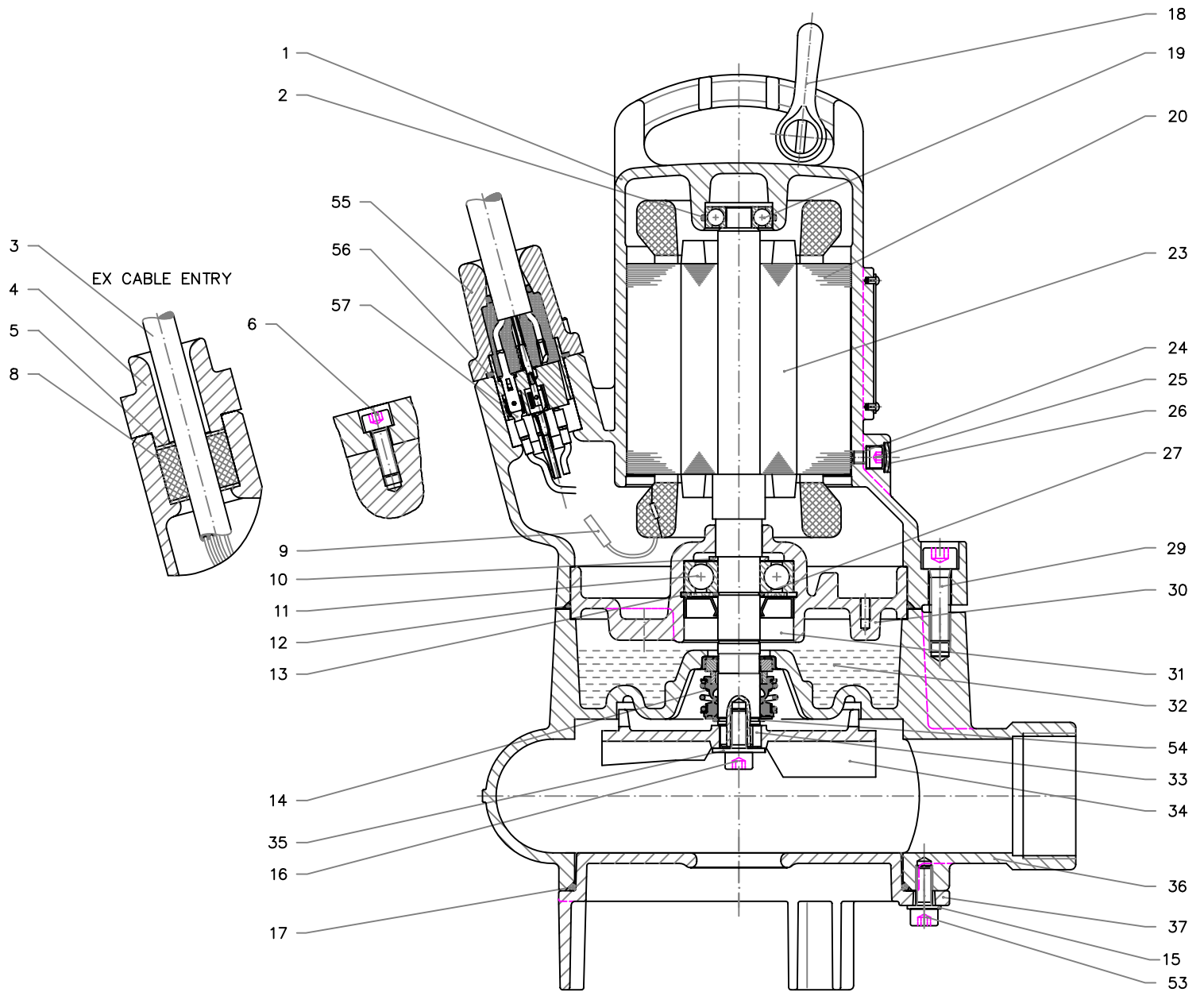
Pos. No.	Part No.	Kit	Qty	Description	Benennung	Designation	Dimensions /Din	Comments	Price
20	65005789		1	Stator	Wicklung	Stator	400/3/50	Without klixon	
20	65005454		1	Stator	Wicklung	Stator	500/3/50		
23	65015076		1	Rotor with shaft	Rotor mit Welle	Rotor avec arbre	1.4021		
23	65015080		1	Rotor with shaft	Rotor mit Welle	Rotor avec arbre	1.4401		
24	11130003	AB	1	Seal ring	Dichtung	Rondelle joint	Ø6x10 DIN7603		
25	11210253		1	Cylinder screw	Zylinderschraube	Vis à tête cylindrique	M6x10 DIN912		
26	11490020	AB	1	Seal washer	Verschlußscheibe	Rondelle joint	DIN470		
27	11070006	AB	1	Circlip	Sicherungsring	Circlip	Ø20x1.2 DIN471		
29	11210239		3	Cylinder screw	Zylinderschraube	Vis à tête cylindrique	M10x35 DIN912		
30	31155023		1	Bearing lid	Lager deckel	Couvercle palier	GG25	Std./EX EECS	
30	31155035		1	Bearing lid	Lager deckel	Couvercle palier	GG25	Std.Euro/US DI-probe	
31	11090009	AB	1	Lip seal	Wellendichtung	Joint à levres	Ø20x52x10 DIN3760		
32	11030046		0.48	Oil	Öl	Huile			
33	11630128		1	Impeller key	Paßfeder	Clavette	6x6x10 DIN6885		
34	35075119		1	Impeller	Lauftrad	Roue	Ø110	S12/2	
34	35075117		1	Impeller	Lauftrad	Roue	Ø125	S17/2	
35	11470072		1	Washer	Scheibe	Rondelle	Ø8.4 DIN9021	1.4301	
36	31055042		1	Volute	Kreiselmkammer	Corps de pompe			
37	21065022		1	Bottom plate	Bodenplatte	Plaque de base			
38	11650001	AB	1	Locking Washer	Klemmscheibe	Rondelle-frein	M8 PVC/NITR		
38	11120141	AB	1	O-ring	O-ring	Joint torique	Ø7x3 DIN3771		
39	11260100		1	Lens Head Screw	Flachkopfschraube	Vis à tête plate	M8x10 DIN85		
40	11260104		1	Hexagonal screw	Sechskantschraube	Vis hexagonal	M5x10 DIN85 GV		
41	11500003		1	Locking washer	Sicherungsscheibe	Tole-frein	A5.1 DIN6797		
42	12180014		1	Cable shoe	Flachsteckhülse	Cosse-câble	Ø1.5-2.5mm		
43	11060014		1	Support washer	Tragscheibe	Rondelle	Ø42x52x2.5 DIN988		
44	11100066		1	Mechanical seal	Gleitringdichtung	Garniture mecanique	Ø20mm	CARBON-CHROME	
45	12180144		1	Round plug	Rundstecker	Fiche ronde	Ø4mm		
46	42135000		1	DI-probe	DI-electrode	Sonde DI			
47	11080027		1	Circlip	Sicherungsscheibe	Circlip	Ø7x0.9mm DIN6799		
48	43070326		1	Seal for DI	Dichtung für DI	Joint pour DI			
49	42130403		1	DI-probe	DI-electrode	Sonde DI			
50	41425032		1	Bracket	Haltewinkel	Butée			
51	11260091		1	Lens Head Screw	Flachkopfschraube	Vis à tête plate	M5x12 DIN85		
52			1	Not available	nicht lieferbar	pas disponible			
53	11210240		3	Cylinder screw	Zylinderschraube	Vis à tête cylindrique	M6x20 DIN912		
54	11070005	AB	1	Circlip	Sicherungsring	Circlip	Ø20x1.2 DIN471		
55	43025339		1	Cable EasyFit	Kabel EasyFit	Cable EasyFit	4x1.5 TecWater	10m (W/D)	
55	43025340		1	Cable EasyFit	Kabel EasyFit	Cable EasyFit	4x1.5 TecWater	20m (W/D)	
55	43025341		1	Cable EasyFit	Kabel EasyFit	Cable EasyFit	4x1.5 TecWater	30m (W/D)	
55	43025334		1	Cable EasyFit	Kabel EasyFit	Cable EasyFit	7x1.5 TecWater	10m (W)	
55	43025335		1	Cable EasyFit	Kabel EasyFit	Cable EasyFit	7x1.5 TecWater	20m (W)	


SPARE PARTS LIST/ERSATZTEILLISTE/LISTE DE PIÈCES DE RECHANGE
AS 0530 S12/2W&D, S17/2D 50Hz Std.& EX

Valid from Serial Number: 100 -

Page :
 Issue of : 20/10/11
 Supersedes Issue :
 Issue No. : 01,02,03,04
 Drawing ref. Nr. : ANS12062-03

Pos. No.	Part No.	Kit	Qty	Description	Benennung	Designation	Dimensions /Din	Comments	Price
55	43025336		1	Cable EasyFit	Kabel EasyFit	Cable EasyFit	7x1.5 TecWater	30m (W)	
55	43025323		1	Cable EasyFit	Kabel EasyFit	Cable EasyFit	7x1.5 TecWater	10m (D)	
55	43025325		1	Cable EasyFit	Kabel EasyFit	Cable EasyFit	7x1.5 TecWater	20m (D)	
55	43025327		1	Cable EasyFit	Kabel EasyFit	Cable EasyFit	7x1.5 TecWater	30m (D)	
56	11120829		1	O-ring	O-ring	Joint torique	Ø32x3 DIN3771	Viton	
57	12180002		4(7)	Cable shoe	Flachsteckhülse	Cosse-câble		(7) for 7 core cable	
59	11070006	AB	1	Circlip	Sicherungsring	Circlip	Ø20x1.2 DIN471		
	61195072	A	1	Seal kit	Dichtungssatz	Jeu de joint complet			
	61195076	B	1	Seal kit	Dichtungssatz	Jeu de joint complet	Viton		



SULZER

SPARE PARTS LIST / ERSATZTEILLISTE
LIST DE PIÈCES DE RECHANGE
AS0530 S16 - S18/2 (60Hz)
AS0530 S12 - S17/2 (50Hz)

AN-S 12.62 -03

CAD CODE: G:\DWM\ANSI\2082
25.05.99 C. QUIRKE
Technical changes reserved
"änderungen vorbehalten"
Sous réserve de modification
Product Center: IEM