

SULZER

Massblatt PIRANHA S 10/4 - S 20/2

Dimension sheet

Plan d'encombrement

No: AN-M.04.30-04

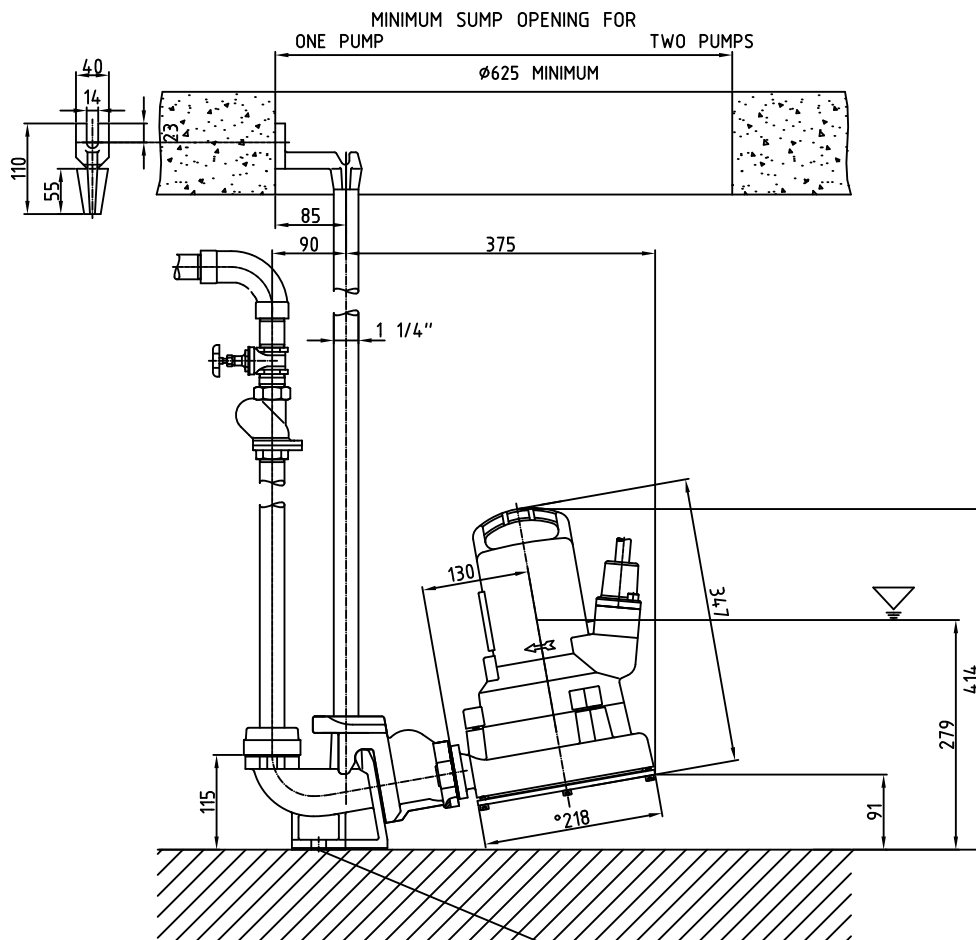
Drawn: 18.07.97 / C.Quirke

Issue Date: 09.11.06

Änderungen vorbehalten
Technical changes reserved
Con riserva di modifiche
Con reserva de modificaciones
Sous réserve de modification**50 Hz****60 Hz****S.I.**

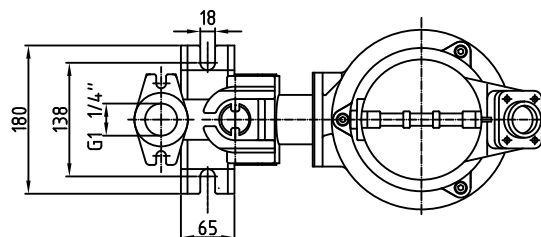
Typ Type Tipo
S 12/2
S 13/4
S 17/2

Typ Type Tipo
S 10/4
S 20/2



▽ = LOWEST SWITCH OFF POINT FOR AUTOMATIC OPERATION

CONICAL EXPANDING MASONRY
UPBAT B 14/25
DRILL HOLE SIZE 14mm



SULZER

Massblatt PIRANHA S 12/2 - S 20/2

Dimension sheet

Plan d'encombrement

No: AN-M.04.30-04

Drawn: 18.07.97 / C.Quirke

Issue Date: 09.11.06

Änderungen vorbehalten
Technical changes reserved
Con riserva di modifiche
Con reserva de modificaciones
Sous réserve de modification

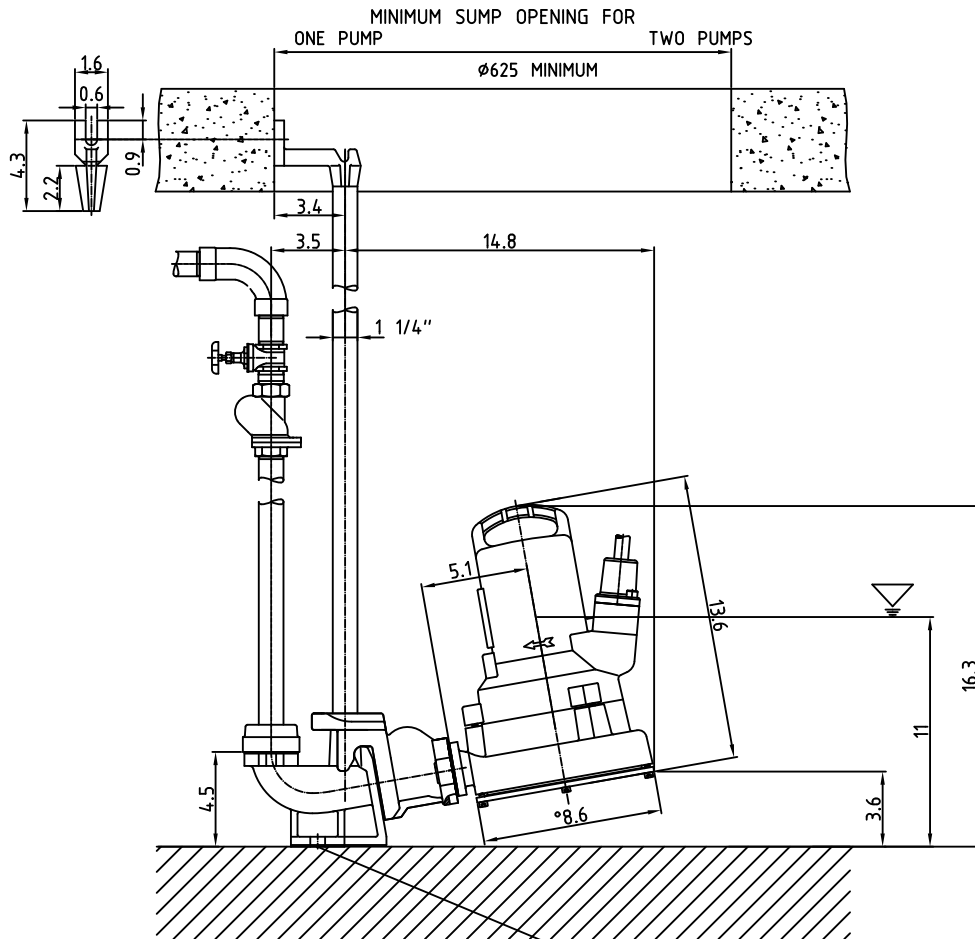
50 Hz

60 Hz

U.S.

Typ
Type
Tipo
S 12/2
S 13/4
S 17/2

Typ
Type
Tipo
S 10/4
S 20/2



▽ = LOWEST SWITCH OFF POINT FOR AUTOMATIC OPERATION

CONICAL EXPANDING MASONRY
UPBAT B 14/25
DRILL HOLE SIZE 14mm

