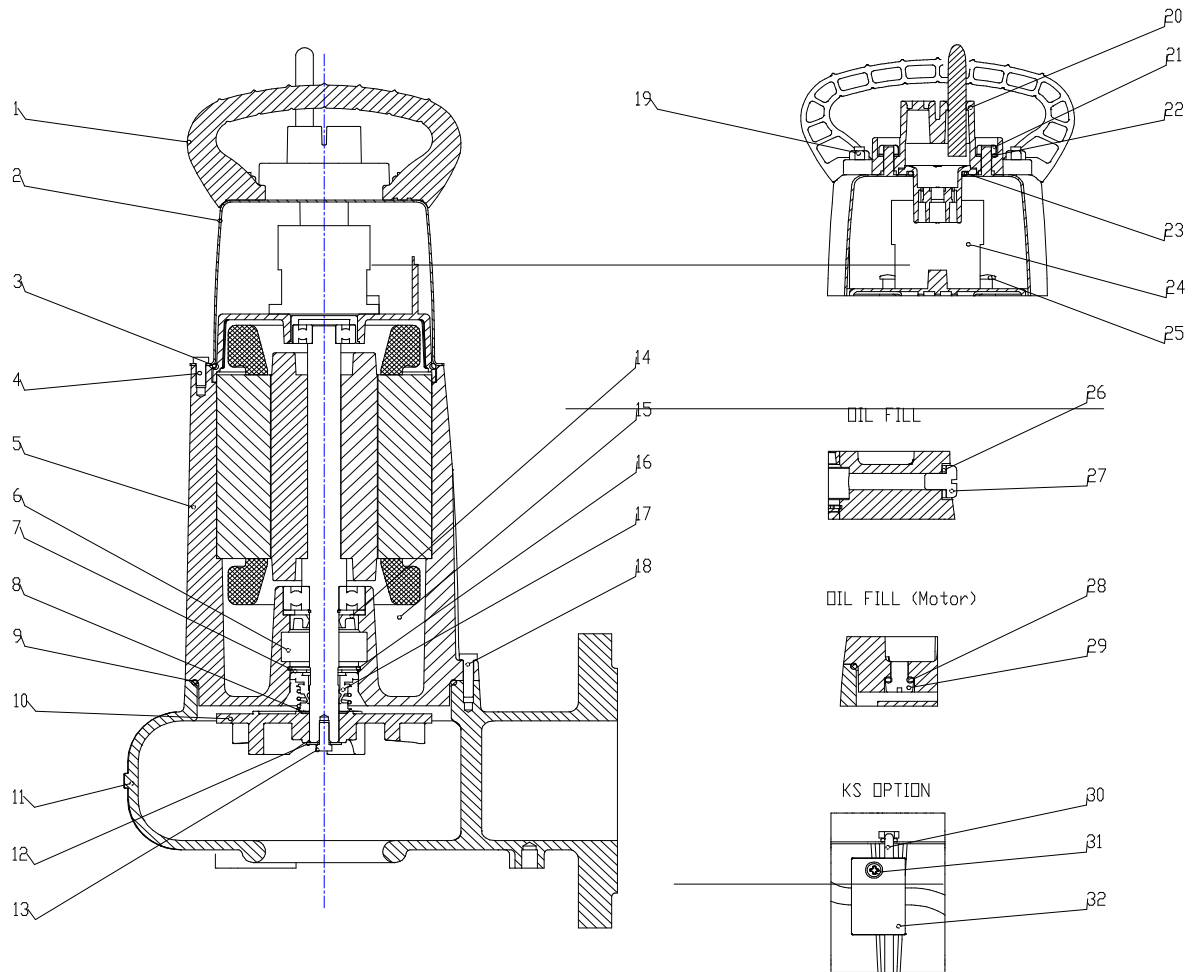


SPARE PARTS LIST/ERSATZTEILLISTE/LISTE DE PIÈCES DE RECHANGI

MF 665 D/KS 50Hz
(With Cast Iron Motor Housing)

Page : 1 of 1
Issue of : 43871
Supersedes Issue :
Issue No. : 2
Drawing ref. Nr. : ANS13347-00

Pos. No.	Part No.	Kit	Qty	Description	Benennung	Designation	Dimensions /Din	Comments	Price
1	42005004		1	Handle	Handgriff	Poignee			
2	62675031		1	Upper lid	Obererdeckel	Couvercle supérieur			
3	11120415	A	1	O-ring	O-ring	Joint torique	Ø110x3.5 DIN3771		
4	11200229		3	Hexagonal Screw	Sechskantschraube	Vis hexagonal	M5 X 12 DIN 933		
5	61275154		1	Motor	Motor	Moteur	230/3/50		
5	61275155		1	Motor	Motor	Moteur	400/3/50		
6	11030046		0.02	Oil	Öl	Huile			
7	42015009		1	Washer	Scheibe	Rondelle	Ø34x18x1.5		
8	42015023		1	Washer	Scheibe	Rondelle			
9	11121148	A	1	O-ring	O-ring	Joint torique	Ø125x2.5 DIN3771		
10	41075044		1	Impeller	Laufgrad	Roue	Ø110/6 H17		
11	31055075		1	Volute	Kreiselkammer	Corps de pompe			
12	11470026		1	Washer	Scheibe	Rondelle	ØA 6.4 DIN9021		
13	11200229		1	Hexagonal Screw	Sechskantschraube	Vis hexagonal	M5 X 12 DIN 933		
14	11090004	A	1	Lip seal	Wellendichtung	Joint à levres	Ø15x35x8 DIN3760		
15	11030046		0.5	Oil	Öl	Huile			
16	11080078		1	Circlip	Sicherungsring	Circlip	Ø35x1.5 DIN472		
17	11110172		1	Mechanical seal	Gleitringdichtung	Garniture Mecanique	15mm SIC/SIC		
18	11200303		3	Hexagonal Screw	Sechskantschraube	Vis hexagonal	M5x20 DIN933		
19	11400049		4	Hexagonal Nut	Sechskantmutter	Ecrou hexagonal	M5 DIN 985		
20	43025311		1	Cable	Kabel	Cable	10m Non-KS (WP)	230/3/50	
20	43025309		1	Cable	Kabel	Cable	10m KS (WP)	230/3/50	
20	43025307		1	Cable	Kabel	Cable	3m KS (WP)	230/3/50	
20	43025312		1	Cable	Kabel	Cable	10m Non-KS (WP)	400/3/50	
20	43025310		1	Cable	Kabel	Cable	10m KS (WP)	400/3/50	
20	43025308		1	Cable	Kabel	Cable	3m KS (WP)	400/3/50	
21	11400049		2	Hexagonal Nut	Sechskantmutter	Ecrou hexagonal	M5 DIN 985		
22	11470017		2	Washer	Unterlegscheibe	Rondelle	A 5.3 DIN 125		
23	11120518	A	1	O-ring	O-ring	Joint torique	Ø24X2.5 DIN3771		
24	13300340		1	Contactactor	Schutz	Relais	220-230/3/50		
24	13300347		1	Contactactor	Schutz	Relais	400/3/50Hz		
25	11260040		2	Lens head screw	Flachkopfschraube	Vis à tête plate	M4x8 DIN85		
26	11650001	A	1	Seal washer	Verschlussscheibe	Rondelle joint	M8 PVC/NITR		
27	11260100		1	Lens head screw	Flachkopfschraube	Vis à tête plate	M8x10 DIN85		
28	11120141	A	1	O-ring	O-ring	Joint torique	Ø7x3 DIN3771		
29	11250121		1	Cylinder screw	Zylinderschraube	Vis à tête cylindrique	M8x10 DIN84		
30	44125011		1	KS Rod	KS Haltestange	KS support flotteur			
31	11370064		1	Self-tapping screw	Zyl. blechschaube	Vis	Ø4.0x22 WN1441		
32	41420542		1	KS Bracket	KS Haltewinkel	KS butée flotteur			
	61195088	A	1	Seal kit	Dichtungssatz	Jeu de joint complet			



SPARE PARTS LIST/ERSATZTEILLIS LIST DE PIÉCES DE RECHANGE MF 665D	ANSI3.347-00
	DATE: 04/02/2017 14:02:00
	SAP CODE: ANS13347
	Product Center: ED
	Technical changes reserved Änderungen vorbehalten Sous réserve de modification