

**SULZER**

Massblatt XFP 80E-CB1 Trockeninstallation  
 Dimension sheet DRY-WELL Installation  
 Dimensioni Installazione a secco  
 Hoja de dimensiones instalacion en seco  
 Plan d'encombrement Installation a sec

No: AN-M.22.564-05  
 Drawn: 11.05.09 / D.Wheelan  
 Issue Date: 24/03/2016  
 Änderungen vorbehalten  
 Technical changes reserved  
 Con riserva di modifiche  
 Con reserva de modificaciones  
 Sous réserve de modification

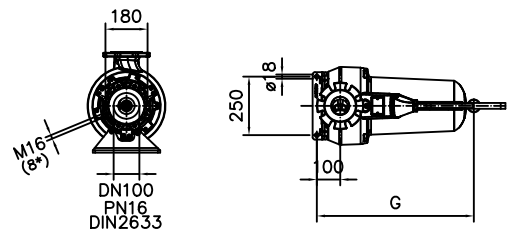
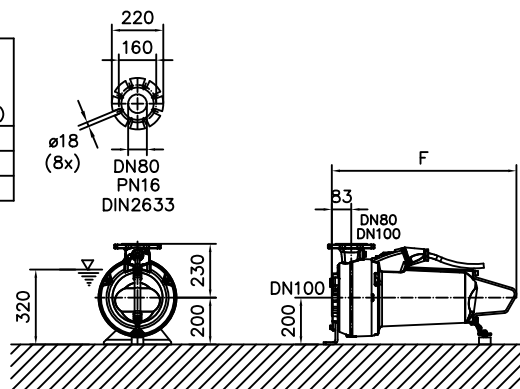
**50 Hz**

**S.I.**

Typ Type Tipo	Gewicht Weight Poids Peso (kg)	F (mm)	G (mm)
PE 70/2	153	716	601
PE 110/2	183	786	671

**60 Hz**

Typ Type Tipo	Gewicht Weight Poids Peso (kg)	F (mm)	G (mm)



Gewicht: Behältet Pumpe ,horizontal Stützen und Kabel (50 Hz = 10 m; 60 Hz = 15 m)  
 Weight: Includes pump, horizontal supports and cable (50 Hz = 10 m; 60 Hz = 15 m)  
 Peso: include pompa, supporti orizzontali e cavo (50 Hz = 10 m; 60 Hz = 15 m)  
 Peso: incluye bomba, soporte horizontal y cable (50 Hz = 10 m; 60 Hz = 15 m)  
 Poids : incluant la pompe, les supports horizontaux et le cable (50 Hz = 10 m; 60 Hz = 15 m)

Guss-Allgemeintoleranzen nach DIN1680 - GTB16  
 General tolerances for castings in acc. to DIN1680-GTB16  
 Tolleranze generali delle fusioni secondo DIN1680-GTB16  
 Tolerancias generales para la fundicion seg. de DIN1680-GTB16  
 Tolérance générale de la fonderie selon DIN1680-GTB16

**SULZER**

Massblatt XFP 80E-CB1 Trockeninstallation  
 Dimension sheet DRY-WELL Installation  
 Dimensioni Installazione a secco  
 Hoja de dimensiones instalacion en seco  
 Plan d'encombrement Installation a sec

No: AN-M.22.564-05  
 Drawn: 11.05.09 / D.Wheelan  
 Issue Date: 24/03/2016  
 Änderungen vorbehalten  
 Technical changes reserved  
 Con riserva di modifiche  
 Con reserva de modificaciones  
 Sous réserve de modification

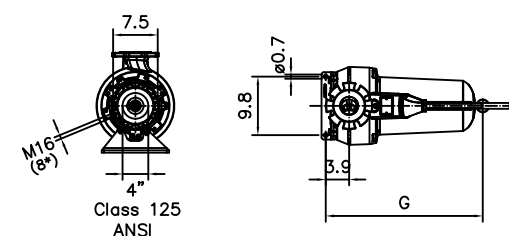
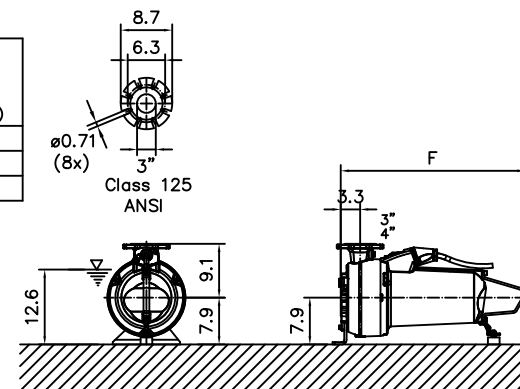
**50 Hz**

**U.S.**

Typ Type Tipo	Gewicht Weight Poids Peso (lbs)	F (")	G (")
PE 70/2	338	28.2	23.7
PE 110/2	404	30.9	26.4

**60 Hz**

Typ Type Tipo	Gewicht Weight Poids Peso (lbs)	F (")	G (")



Gewicht: Behältet Pumpe ,horizontal Stützen und Kabel (50 Hz = 10 m; 60 Hz = 15 m)  
 Weight: Includes pump, horizontal supports and cable (50 Hz = 10 m; 60 Hz = 15 m)  
 Peso: include pompa, supporti orizzontali e cavo (50 Hz = 10 m; 60 Hz = 15 m)  
 Peso: incluye bomba, soporte horizontal y cable (50 Hz = 10 m; 60 Hz = 15 m)  
 Poids : incluant la pompe, les supports horizontaux et le cable (50 Hz = 10 m; 60 Hz = 15 m)

Guss-Allgemeintoleranzen nach DIN1680 - GTB16  
 General tolerances for castings in acc. to DIN1680-GTB16  
 Tolleranze generali delle fusioni secondo DIN1680-GTB16  
 Tolerancias generales para la fundicion seg. de DIN1680-GTB16  
 Tolérance générale de la fonderie selon DIN1680-GTB16