

SULZER

Massblatt XFP 150G-VX Trockeninstallation

Dimension sheet DRY-WELL Installation

Dimensioni Installazione a secco

Hoja de dimensiones instalación en seco

Plan d'encombrement Installation à sec

No: AN-M.22.651 - 01

Drawn: 25/11/10 D.Whelan

Issue Date: 25/11/10

Änderungen vorbehalten

Technical changes reserved

Con riserva di modifiche

Con reserva de modificaciones

Sous réserve de modification

50 Hz

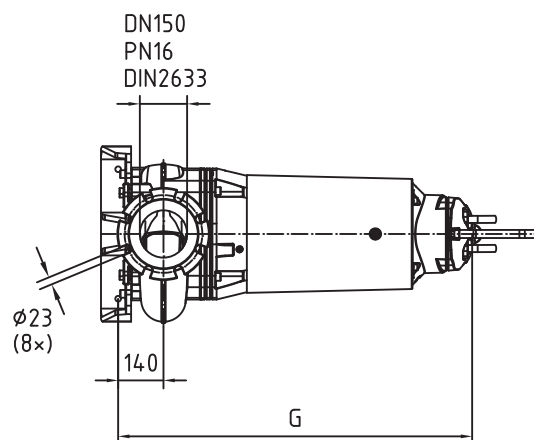
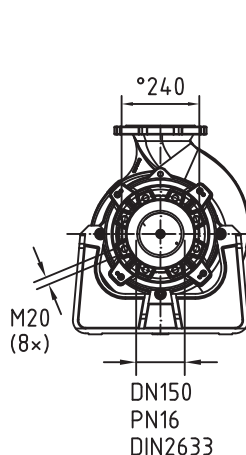
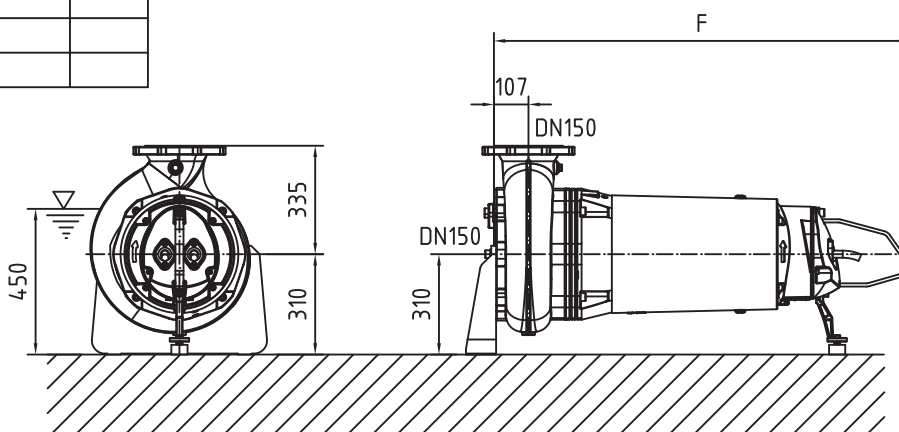
S.I.

Typ Type Tipo	Gewicht Weight Poids N.C.J. (kg)	Gewicht Weight Poids W.C.J. (kg)	F (mm)	G (mm)
PE 110/4	340	390	1286	1093
PE 140/4	340	390	1286	1093
PE 160/4	375	415	1286	1093
PE 185/4	375	415	1286	1093

60 Hz

Typ Type Tipo	Gewicht Weight Poids N.C.J. (kg)	Gewicht Weight Poids W.C.J. (kg)	F (mm)	G (mm)

N.C.J. = No Cooling Jacket
W.C.J. = With Cooling Jacket



Gewicht: Beinhaltet Pumpe ,horizontal Stützen und Kabel (50 Hz = 10 m; 60 Hz = 15 m)
Weight: includes pump, horizontal supports and cable (50 Hz = 10 m; 60 Hz = 15 m)
Peso: incluye bomba, soportes horizontales y cable (50 Hz = 10 m; 60 Hz = 15 m)
Peso: Incluye bomba, soporte horizontal y cable (50 Hz = 10 m; 60 Hz = 15 m)
Poids : incluant la pompe, les supports horizontaux et le cable (50 Hz = 10 m; 60 Hz = 15 m)

Guss-Allgemeintoleranzen nach DIN1680 - GTB16
General tolerances for castings in acc. to DIN1680-GTB16
Tolleranze generali delle fusioni secondo DIN1680-GTB16
Tolerancias generales para la fundicion seg. de DIN1680-GTB16
Tolérance générale de la fonderie selon DIN1680-GTB16

SULZER

Massblatt XFP 150G-VX Trockeninstallation
Dimension sheet DRY-WELL Installation
Dimensioni Installazione a secco
Hoja de dimensiones instalación en seco
Plan d'encombrement Installation à sec

No: AN-M.22.651 - 01
Drawn: 25/11/10 D.Whelan
Issue Date: 25/11/10
Änderungen vorbehalten
Technical changes reserved
Con riserva di modifiche
Con reserva de modificaciones
Sous réserve de modification

50 Hz

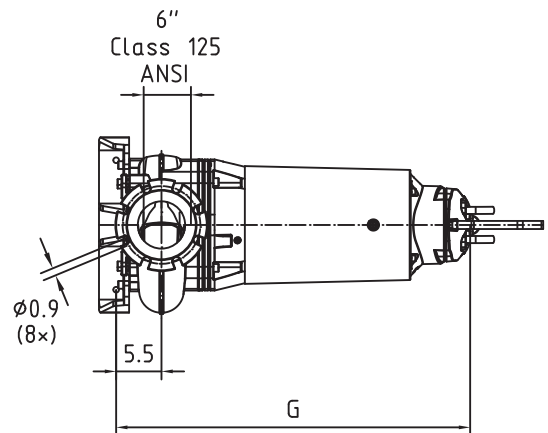
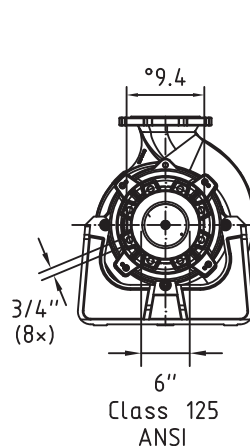
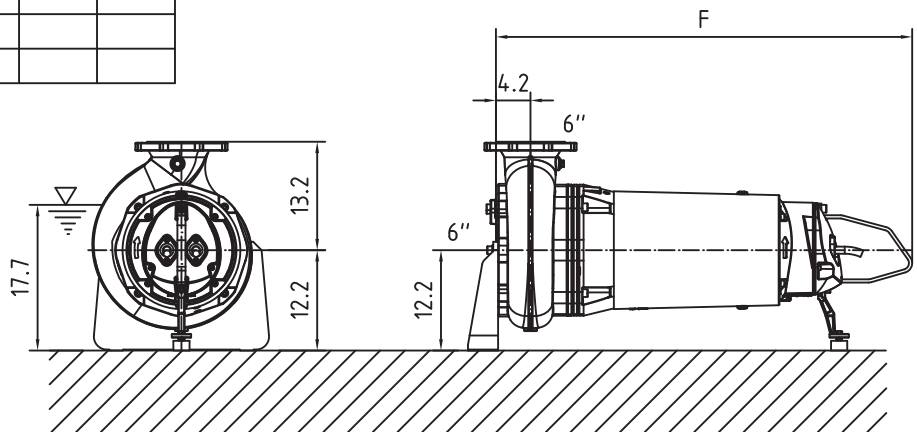
Typ Type Tipo	Gewicht Weight Poids N.C.J. (lbs)	Gewicht Weight Poids W.C.J. (lbs)	F (")	G (")
PE 110/4	750	860	50.6	43
PE 140/4	750	860	50.6	43
PE 160/4	827	915	50.6	43
PE 185/4	827	915	50.6	43

U.S.

60 Hz

Typ Type Tipo	Gewicht Weight Poids N.C.J. (lbs)	Gewicht Weight Poids W.C.J. (lbs)	F (")	G (")

N.C.J. = No Cooling Jacket
W.C.J. = With Cooling Jacket



Gewicht: Beinhaltet Pumpe ,horizontal Stützen und Kabel (50 Hz = 10 m; 60 Hz = 15 m)
Weight: includes pump, horizontal supports and cable (50 Hz = 10 m; 60 Hz = 15 m)
Peso: incluye bomba, soportes horizontales y cable (50 Hz = 10 m; 60 Hz = 15 m)
Peso: Incluye bomba, soporte horizontal y cable (50 Hz = 10 m; 60 Hz = 15 m)
Poids : incluant la pompe, les supports horizontaux et le cable (50 Hz = 10 m; 60 Hz = 15 m)

Guss-Allgemeintoleranzen nach DIN1680 - GTB16
General tolerances for castings in acc. to DIN1680-GTB16
Tolleranze generali delle fusioni secondo DIN1680-GTB16
Tolerancias generales para la fundicion seg. de DIN1680-GTB16
Tolérance générale de la fonderie selon DIN1680-GTB16