

SULZER

Massblatt XFP 150G-CP Nassinstallation

No: AN-M.22.676 - 03

Dimension sheet WET-WELL Installation

Drawn: 24/06/11 D.Whelan

Dimensioni Installazione sommersa

Issue Date: 09/05/2013

Hoja de dimensiones instalación sumergida

Änderungen vorbehalten

Plan d'encombrement Installation noyée

Technical changes reserved

Con riserva di modifiche

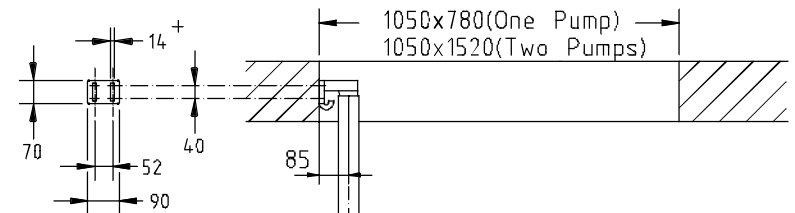
Con reserva de modificaciones

Sous réserve de modification

50 Hz**S.I.**

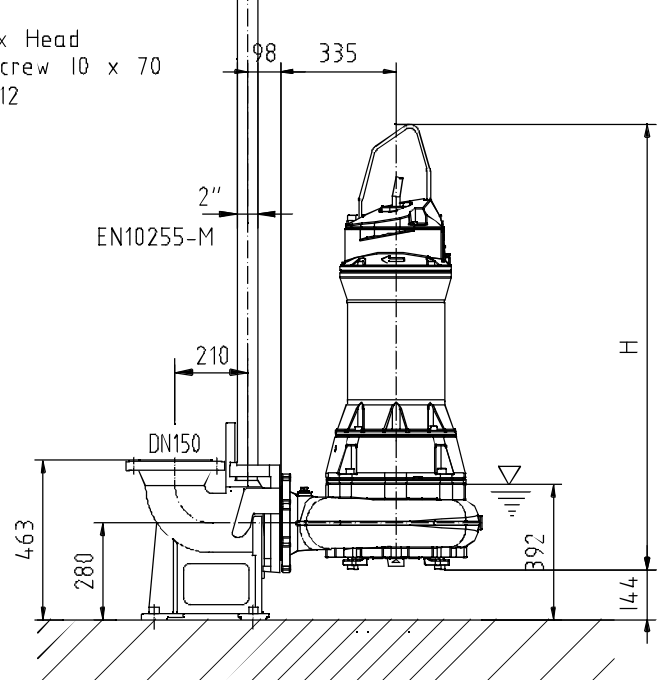
Typ Type Tipo	Gewicht Weight Poids N.C.J. (kg)	Gewicht Weight Poids W.C.J. (kg)	Height H (mm)
PE 110/4	347	397	1297

min. Schachtöffnung
min. Sump opening
Dimensioni min. botola
min. apertura del pozo
Largeur min. du puisard

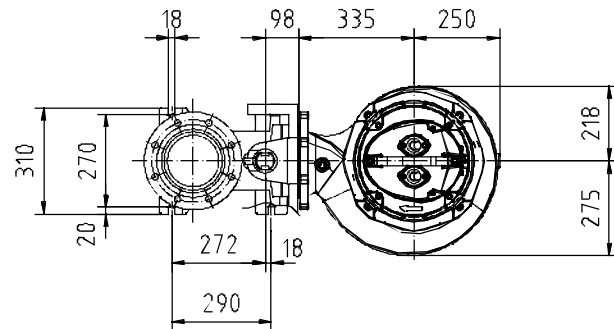
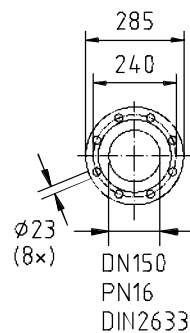
**60 Hz**

Typ Type Tipo	Gewicht Weight Poids N.C.J. (kg)	Gewicht Weight Poids W.C.J. (kg)	Height (mm)
PE 90/6	367	417	1297

* For Hex Head
wood screw 10 x 70
Plug $\phi 12$



N.C.J. = No Cooling Jacket
W.C.J. = With Cooling Jacket



Gewicht: Beinhaltet Pumpe, Halterung (Fussstück) und Kabel (50 Hz = 10 m; 60 Hz = 15 m)
Weight: includes pump, slider bracket and cable (50 Hz = 10 m; 60 Hz = 15 m)
Peso: include pompa, pezzo intermedio a cavo (50 Hz = 10 m; 60 Hz = 15 m)
Peso: Incluye bomba, soporte deslizante y cable (50 Hz = 10 m; 60 Hz = 15 m)
Poids : incluant la pompe, le coulisseau et le câble (50 Hz = 10 m; 60 Hz = 15 m)

Guss-Allgemeintoleranzen nach DIN1680 - GTB16
General tolerances for castings in acc. to DIN1680-GTB16
Tolleranze generali delle fusioni secondo DIN1680-GTB16
Tolerancias generales para la fundición seg. de DIN1680-GTB16
Tolérance générale de la fonderie selon DIN1680-GTB16

SULZER

Massblatt XFP 150G-CP Nassinstallation
 Dimension sheet WET-WELL Installation
 Dimensioni Installazione sommersa
 Hoja de dimensiones instalación sumergida
 Plan d'encombrement Installation noyee

No: AN-M.22.676 - 03
 Drawn: 24/06/11 D.Whelan
 Issue Date: 09/05/2013
 Änderungen vorbehalten
 Technical changes reserved
 Con riserva di modifiche
 Con reserva de modificaciones
 Sous réserve de modification

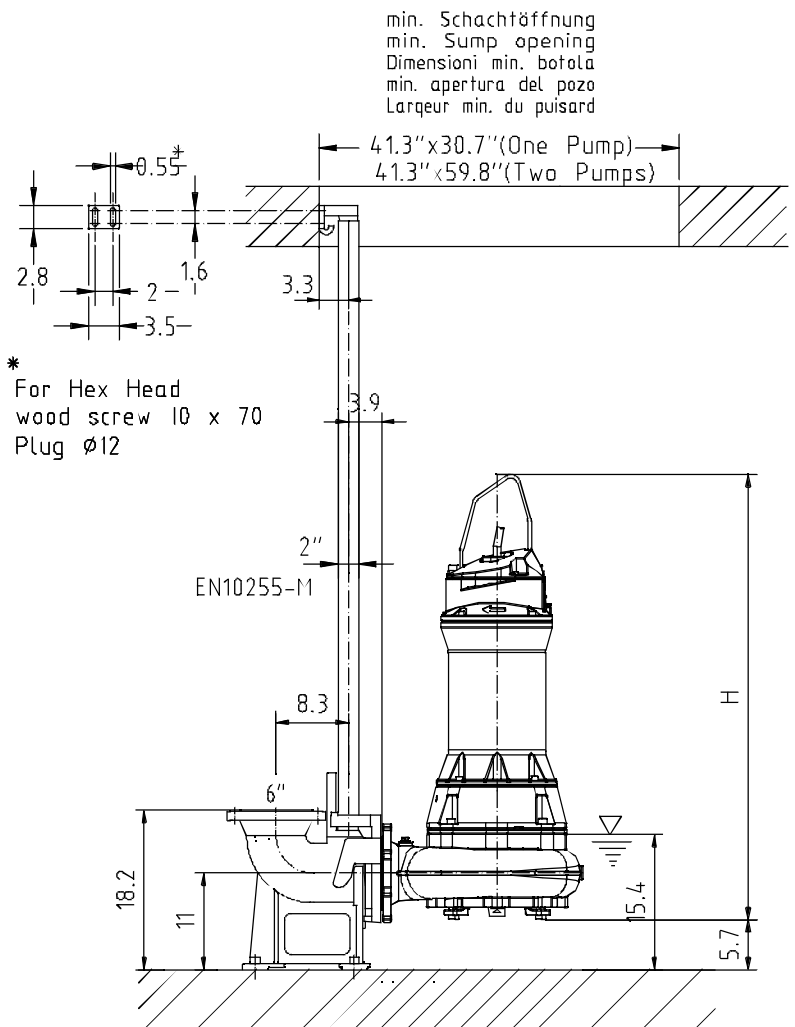
50 Hz

Typ Type Tipo	Gewicht Weight Poids N.C.J. (lbs)	Gewicht Weight Poids W.C.J. (lbs)	Height H (")
PE 110/4	766	876	51.1

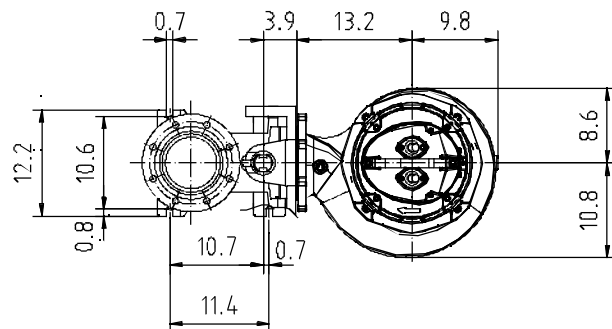
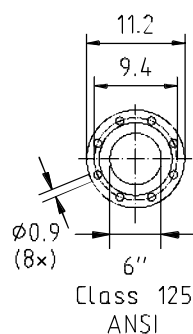
60 Hz

Typ Type Tipo	Gewicht Weight Poids N.C.J. (lbs)	Gewicht Weight Poids W.C.J. (lbs)	Height H (")
PE 90/6	308	918	51.1

N.C.J. = No Cooling Jacket
 W.C.J. = With Cooling Jacket

U.S.

* For Hex Head
 wood screw 10 x 70
 Plug $\varnothing 12$



Gewicht: Beinhaltet Pumpe, Halterung (Fussstück) und Kabel (50 Hz = 10 m; 60 Hz = 15 m)
 Weight: includes pump, slider bracket and cable (50 Hz = 10 m; 60 Hz = 15 m)
 Peso: include pompa, pezzo intermedio a cavo (50 Hz = 10 m; 60 Hz = 15 m)
 Peso: Incluye bomba, soporte deslizante y cable (50 Hz = 10 m; 60 Hz = 15 m)
 Poids : incluant la pompe, le coulisseau et le câble (50 Hz = 10 m; 60 Hz = 15 m)

Guss-Allgemeintoleranzen nach DIN1680 - GTB16
 General tolerances for castings in acc. to DIN1680-GTB16
 Tolleranze generali delle fusioni secondo DIN1680-GTB16
 Tolerancias generales para la fundición seg. de DIN1680-GTB16
 Tolérance générale de la fonderie selon DIN1680-GTB16