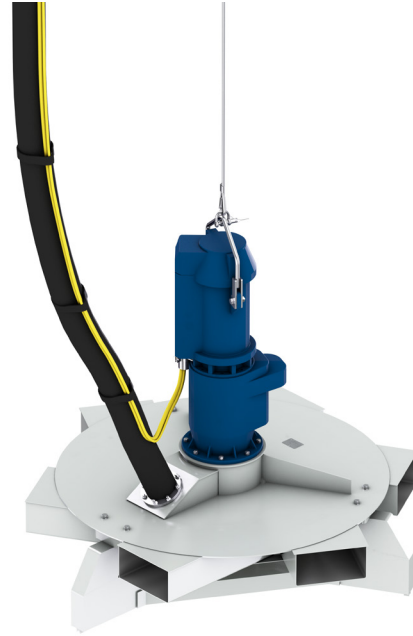


OKI 2000 aerator mixer

The OKI 2000 submersible aerator mixer is a heavy-duty device suitable for applications in the continuous and/or intermittent aeration of both municipal and industrial wastewater. It can withstand many harsh types of wastewater with no performance degradation and will tackle intermittent process problems better than most alternatives.

In the OKI compressed air is distributed through a flexible hose down to the machine. Air enters through the stator and is passed on to the rotating rotor. The hollow rotor wings let air out at the tips. As the rotor sucks water from underneath the machine bubbles of air disperse into the water passing the wing tips. The aerated water exits the machine through the stator tubes ensuring even water and air distribution all around the basin. The low speed rotation ensures that flocks are maintained. The turbulence at the tip of the rotor blades enables high oxygen transfer.

The OKI 2000 submersible aerator mixer series is a natural choice for industrial and municipal applications. The high-quality gearmotor guarantees performance and long lasting operational life minimizing the maintenance costs.



Features

- Adjustable oxygen transfer
- Superb pumping capacity
- Good anti-clogging performance
- Good corrosion resistance
- Steady alpha factor
- Lifetime sustainable high aeration efficiency
- Especially suited for heavy duty and intermittent processes
- Easy and quick installation without emptying the tank
- Lifiable for easy maintenance
- Maintenance interval 3 years
- No air cooling in deep tanks
- Usually delivered complete including suitable air hose, lifting cable and electrical cables making installation safe and easy

Technical specification

	OKI 2000C-15AM	OKI 2000C-22AM	OKI 2000E-30AM	OKI 2000E-37AM
Protection type	IP68	IP68	IP68	IP68
Standard voltage ⁽¹⁾	400 V / 50 Hz	400 V / 50 Hz	400 V / 50 Hz	400 V / 50 Hz
Temperature control	Thermal switch 130°C	Thermal switch 130°C	Thermal switch 130°C	Thermal switch 130°C
Main dimensions [mm] (length x depth x height)	2045x2252x2075	2045x2252x2075	2045x2252x2195	2045x2252x2195
Unit weight [kg] ⁽²⁾	1930	1960	2070	2070
Installation depth [m] ⁽³⁾	4-12	4-12	4-12	4-12
SOTR [kg O ₂ /h] ⁽⁴⁾	0-260	0-330	0-370	0-410
Air flow rate [m ³ /min, 20°C] ⁽³⁾	0-36	0-47	0-53	0-60

¹⁾ Other options for 50 Hz: 230 V, 380 V, 415 V, 500 V, 660 V and 690 V. Also available for 60 Hz: 230 V, 440 V, 460 V and 575 V.

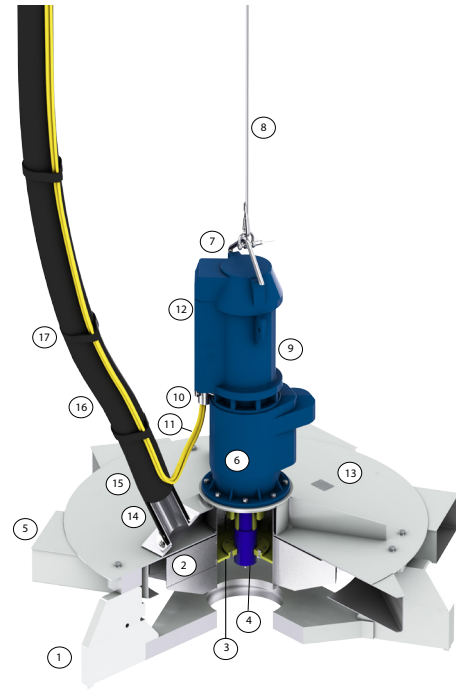
²⁾ Without accessories

³⁾ For less than 4 m or more than 12 m installation depth, please contact your local sales representative.

⁴⁾ Depends on installation depth

Components and materials

Description	(Main) Material
1 Frame	Fe37B, epoxy-painted
2 Rotor	AISI 316
3 Rotor support	AISI 316
4 Rotor screw	AISI 316
5 Stator and stator ducts	AISI 316
6 Heavy-duty shaft seal	AISI 316
7 Lifting bail	AISI 316
8 Lifting cable	AISI 316
9 Drive unit (gearmotor)	Cast iron, epoxy-painted
10 Cable support	AISI 316
11 Cables	Neoprene rubber sheath
12 Airlock	Resin
13 Nameplate	AISI 316
14 Hose flange (with seal)	AISI 316
15 Hose clamps	AISI 316
16 Process air hose	EPDM (reinforced)
17 Hose straps	EPDM



Product range

All 4 OKI 2000 models have the same size rotors, stators and frames. Motor power and gear ratio varies. All models are for both aerating and mixing.

Model		AM
2000	C	15
	C	22
2000	E	30
	E	37

Example: OKI 2000E-37AM

2	design of the stator & rotor (1 for OKI 1000 series and 2 for OKI 2000 series)
E	design of gear
37	rated power of the motor is 37 kW
AM	aerator + mixer (mixing without air at high speed)

Installation example



sulzer.com

E10450 en 12.2024, Copyright © Sulzer Ltd 2024

This document does not provide a warranty or guarantee of any kind. Please contact us for a description of the warranties and guarantees offered with our products. Directions for use and safety will be given separately. All information herein is subject to change without notice.