

Municipal water treatment, supply and distribution



The Sulzer advantage

As a global leader in pump and agitator design and manufacture, Sulzer is recognized for delivering the excellent product quality and performance reliability required for a wide range of applications in the water industry.

Customer partnership

- With full-scale testing facilities, Sulzer gives you access to increased hydraulic excellence and unique application coverage
- Experience in managing a diversity of liquids and application environments
- Superior application knowledge based on extensive experience and understanding of the customers' requirements
- By working in close cooperation with our customers and by getting fully involved in the intricacies of their processes, we are able to identify and provide optimum solutions

Products that fit

- A comprehensive product portfolio and customized solutions for your process improvements
- Sulzer's well-proven reliability increases production uptime and reduces breakdowns
- Advanced materials, sealing solutions and overall operating efficiency ensure a reliable process and maintenance-free operation
- Energy-efficient products with low lifecycle costs and a lighter environmental footprint

Service at your doorstep

- Sulzer's global delivery and customer service network, which includes advanced service and parts processing centers, provides qualified services for the entire product life cycle, day and night
- Our comprehensive range of services includes energy audits, fast delivery programs, pre-configured retrofit products, various service kits and troubleshooting

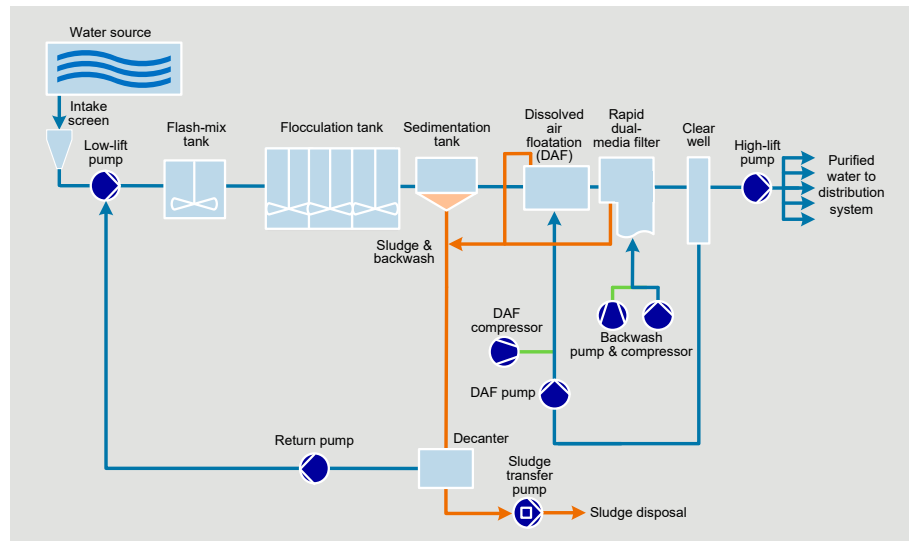


Whatever the process, we have the pumping solutions

Municipal water treatment

When planning new water treatment plants or upgrading existing ones, operating costs are as important as investment costs. Sulzer's innovative pumps, mixers and compressors combine reliable treatment performance with superior energy efficiency.

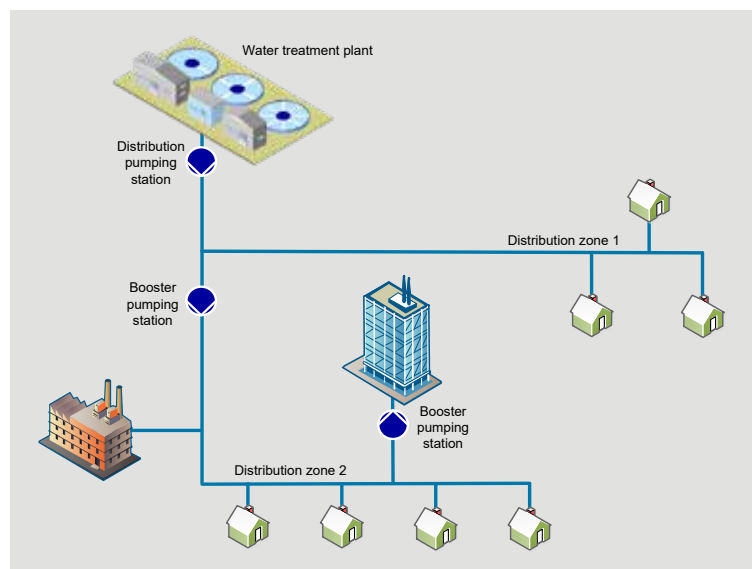
The Sulzer advantage is evident from the moment raw water is captured for your water treatment plant. No matter the process you apply in your water treatment plant, Sulzer will help you to ensure the most efficient and reliable operation, from the intake pumping station through the water treatment plant, including any pumping service along the process.



Municipal water supply and distribution

Getting drinking water to all parts of a distribution network involves many challenges along the way. From the water treatment plant through pumping stations and beyond, Sulzer pumps lift and move the drinking water to bring it to its destination at sufficient flow and pressure.

Our solutions are matched to each task for reliable performance and superior energy efficiency. From the water treatment plant to water tap, Sulzer makes the difference with innovative pumping solutions.



Our comprehensive product portfolio

The Sulzer advantage is shown in the design and innovative construction of our equipment, including state-of-the-art hydraulics as well as robust and reliable mechanical designs. Other features, like our Premium Efficiency IE3 motors in our submersible pump range and the superior magnetic bearings of our near-silent turbocompressors, further enhance energy efficiency.

The advantage also comes from our extensive knowledge and innovative tools. Using both, we can analyze your existing plant or a new plant design to recommend the ideal solutions for a complete upgrade or tailored new equipment.

	Axially split pumps	Vertical turbine pumps	Vertical multi-stage pumps	End-suction pumps	Submersible pumps	Progressing cavity pumps	Mixers and agitators	Turbo-compressors
	SMD	JTS	VMS	various	various	PC	various	HST HSR

Water treatment

Inlet PS / intake / low lift	✓	✓		✓	✓			
Flocculation and sedimentation	✓			✓	✓		✓	
DAF – Dissolved Air Flotation	✓			✓	✓			✓
Filtration	✓			✓	✓			
Backwash	✓			✓				✓
Outlet PS / high lift	✓	✓	✓	✓				
Sludge transfer						✓		

Water supply and distribution

Supply and distribution	✓	✓		✓	✓			
Boosting			✓	✓				

Our main clean water pumps are certified for the use of drinking water.



Product overview

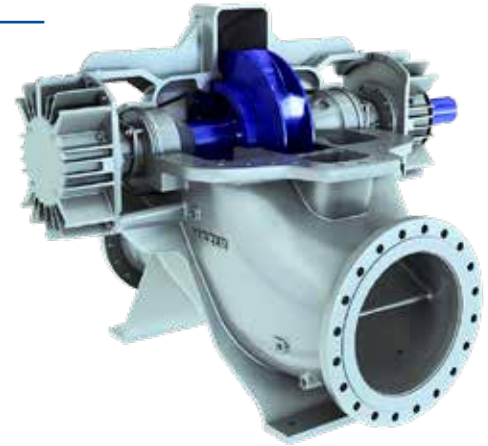
SMD axially split casing double suction pump

Features and benefits

- Optimum hydraulic fit with high efficiency maintained over a wider flow range
- Exceptionally low Net Positive Suction Head Required (NPSHR) value not only at the best efficiency point but also on overload
- Maintenance-friendly features; excellent interchangeability of parts
- Horizontal and vertical constructions

Key characteristics

Capacities	up to 16'000 m ³ /h / 70'000 USgpm
Heads	up to 260 m / 850 ft.
Pressures	up to 34 bar / 490 psi
Temperatures	up to 140°C / 280°F



JTS standard vertical turbine pump

Features and benefits

- Reliable vertical turbine pump with standard configurations for short lead time that meets market demands
- Packed stuffing box for reliable sealing and simple maintenance, mechanical seal is optional
- Rubber-lined product-lubricated bearing in bowls and columns for long maintenance-free periods, other bearing materials are also available
- Suction bell provided with anti-vortex ribs, tail bearing, and replaceable wear rings or bowl liner
- Axial thrust bearing in pump or in motor

Key characteristics

Capacities	up to 1'580 m ³ /h / 25'000 USgpm
Heads	up to 300 m / 1'000 ft.
Pressures	up to 36 bar / 524 psi
Temperatures	up to 85°C / 185°F



VMS vertical multistage pump

Features and benefits

- The reliable range VMS vertical multistage pumps offers state-of-the-art efficiency meeting Ecodesign ErP guideline requirements
- The modular construction makes the VMS range easy to select and adjust to the required application
- The low NPSHr, the high durability of selected materials, and maintenance free electric motors ensures high cost effectiveness throughout the entire pump life cycle

Key characteristics

Capacities	1.90 - 160 m ³ /h / 8 - 705 USgpm
Heads	3 - 400 m / 10 - 1'312 ft.
Pressures	up to 40 bar / 363 psi
Temperatures	-20°C to +40°C / -4°F to +104°F



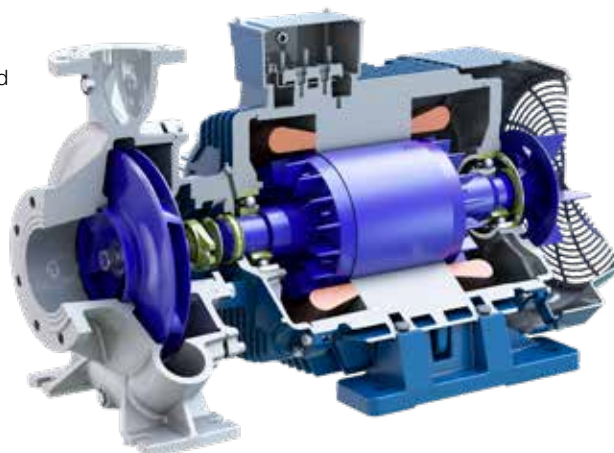
End-suction centrifugal pumps SKS

Features and benefits

- Designed to meet and exceed the EN733 international standard
- In conformity with EU's (European Union) requirements for energy-related products (ErP)
- Minimum installation footprint through monoblock design

Key characteristics

Capacities	up to 825 m ³ /h (50 Hz) up to 800 m ³ /h / 3'522 USgpm (60 Hz)
Heads	up to 129 m (50 Hz) up to 113 m / 371 ft. (60 Hz)
Temperatures	-15°C / +90°C (+120°C on request) +5°F / +194°F (+248°F on request)
Motor power	up to 90 kW / 148 hp



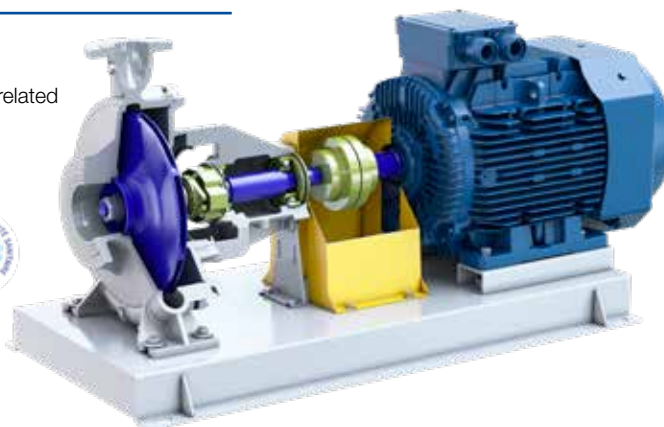
End-suction centrifugal pumps SES

Features and benefits

- Designed to meet and exceed the EN733 international standard
- In conformity with EU's (European Union) requirements for energy-related products (ErP)
- Easy maintenance with "back pull-out" design

Key characteristics

Capacities	up to 2'000 m ³ /h (50 Hz) up to 2'700 m ³ /h / 11'889 USgpm (60 Hz)
Heads	up to 130 m (50 Hz) up to 120 m / 394 ft. (60 Hz)
Temperatures	-15°C / +90°C (+120°C on request) +5°F / +194°F (+248°F on request)
Motor power	up to 400 kW / 536 hp



CPE end-suction single-stage centrifugal pump

Features and benefits

- The highest available efficiency on the ANSI process pump market providing clear savings in energy consumption:
 - with optimal impeller selection, the CPE process pumps fulfill the Pump Energy Index (PEI) values set by the U.S Department of Energy (DOE) regulations and even achieve record-breaking PEI 0.83
- Maximized reliability thanks to improved shaft sealing conditions and heavy duty bearing unit
- High standardization, easy installation and robust construction equate to reduced maintenance and operating costs

Key characteristics

Capacities	up to 1'650 m ³ /h / 7'000 USgpm
Heads	up to 275 m / 900 ft.
Pressures	up to 27.5 bar / 400 psi
Temperatures	up to 260°C / 500°F



SNS end-suction single-stage centrifugal pump

Features and benefits

- Designed to meet the design requirement of EN ISO 5199 international standard
- Exceeding EU's (European Union) requirements for energy-related products (ErP)
- Highest efficiency across the whole pump range, exceeding the benchmark efficiency index MEI 0.7 (Minimum Efficiency Index)
- New, state-of-the-art hydraulics ensure optimum capacity with low net positive suction head required (NPSHr)
- Low energy consumption, high standardization, easy installation and unique construction also equate to lower maintenance and operating costs

Key characteristics

Capacities	up to 1'400 m ³ /h / 6'000 USgpm
Heads	up to 160 m / 525 ft.
Pressures	up to 16 bar / 230 psi
Temperatures	up to 120°C / 250°F



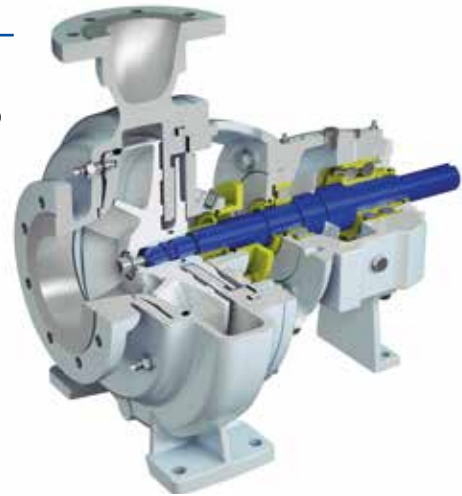
AHLSTAR A end-suction single-stage centrifugal pump

Features and benefits

- AHLSTAR pumps save energy, sealing water and environment
- Designed to meet the EN ISO 5199 standard, these pumps also comply to EN 22858 (ISO 2858) standard
- The modular interchangeability of parts and components enables low spare parts inventory
- The pump range offers the lowest total cost shaft seal concept, with dynamic seal, mechanical seals and packing
- Every AHLSTAR is designed for fast and easy installation, maintenance and service

Key characteristics

Capacities	up to 11'000 m ³ /h / 48'400 USgpm
Heads	up to 160 m / 525 ft.
Pressures	up to 16 / 25 bar, 230 / 360 psi
Temperatures	up to 180°C / 356°F





Submersible sewage pumps type ABS XFP

Features and benefits

- Premium Efficiency IE3 motor in accordance with IEC 60034-30
- Excellent rag handling
- Specially designed impellers for reliable delivery of wastewater containing solids and fibrous material
- Hazardous locations: Approval for ATEX (Ex II 2G Ex h db IIB T4 Gb), FM and CSA available
- Quick and easy installation, safe operation, easy maintenance and service

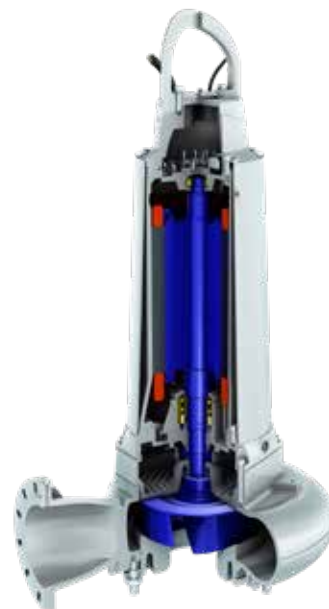
Key characteristics

Capacities up to 2'400 l/s (50 Hz) / 2'500 l/s / 39'600 USgpm (60 Hz)

Heads up to 80 m (50 Hz) / 95 m / 310 ft. (60 Hz)

Temperatures up to 40°C / 104°F

Motor power up to 550 kW (50 Hz) / up to 620 kW / 830 hp (60 Hz)



Submersible mixed-flow column pump type ABS AFLX

Features and benefits

- Premium Efficiency IE3 motor in accordance with IEC 60034-30
- Highly efficient three-to five-blade open-type mixed-flow impellers
- Low-vibration design and low-NPSH design
- Automatic self-centering of the pump and column pipe with a conical coupling ring
- Hazardous locations: Certification for ATEX (Ex II 2G Ex h db IIB T4 Gb), FM and CSA available as an option

Key characteristics

Capacities up to 3'100 l/s / 49'000 USgpm

Heads up to 35 m (50 Hz) / 33 m / 108 ft. (60 Hz)

Temperatures up to 40°C / 104°F

Motor power up to 500 kW (50 Hz) / up to 468 kW / 628 hp (60 Hz)



Submersible propeller pump type ABS VUPX

Features and benefits

- Premium Efficiency IE3 motor in accordance with IEC 60034-30
- Versatile range of axial-flow propellers
- Low-vibration design and Low-NPSH design
- Automatic self-centering of the pump and column pipe with a conical coupling ring
- Hazardous locations: certification for ATEX (Ex II 2G Ex h db IIB T4 Gb), FM and CSA available as an option

Key characteristics

Capacities up to 7'000 l/s (50 Hz) / 8'500 l/s / 134'700 USgpm (60 Hz)

Heads up to 10 m / 33 ft.

Temperatures up to 40°C / 104°F

Motor power up to 650 kW (50 Hz) / up to 750 kW / 1'005 hp (60 Hz)



Submersible recirculation pump type ABS XRCP

Features and benefits

- Strongly designed for high reliability
- Premium Efficiency motor ensures lowest possible energy consumption
- No maintenance – lubricated for life
- Hydraulic-optimized stainless steel propeller ensures highest possible mixing performance

Key characteristics

Capacities	up to 1.68 m ³ /s (50 Hz) / 1.62 m ³ /s / 25'680 USgpm (60 Hz)
Heads	up to 1.44 m / 4.7 ft.
Temperatures	up to 40°C / 104°F
Motor power	25 kW (50 Hz) / 25 kW / 33.5 hp (60 Hz)



PC transfer perform pump

Features and benefits

- Saves time with maintain in place features, easy to de-rag and no need to disconnect the pipework
- Designed for use in sludge plants, where high reliability is essential and downtime is kept to a minimum
- An extension of the PC transfer pump with material variants for a wide range of process applications
- Robust drives and gearboxes with low running speeds form an integral part of the unit design

Key characteristics

Capacities	up to 225 m ³ /h / 990 USgpm
Pressures	up to 12 bar / 170 psi
Temperatures	-10 to 100°C / 14 to 212°F



Scaba top-mounted gear or belt driven agitator

Features and benefits

- The top-mounted series covers gear or belt driven agitators
- Dry installed agitators rely on a deep process knowledge, which enable us to tailor-make the agitators to meet your specific need. This ensures the required process result with a minimum energy input
- Versatile impeller options
- High efficiency SHP propellers
- Good axial flow

Key characteristics

Impeller diameter	up to 8'000 mm / 316 in.
Shaft length	up to 30 m / 100 ft.
Power	up to 450 kW / 600 hp



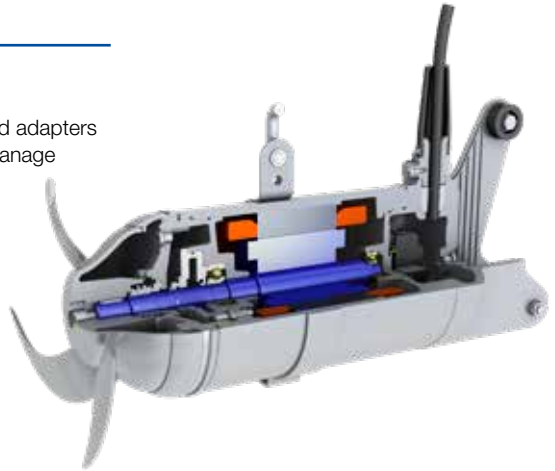
Submersible mixer type ABS XRW

Features and benefits

- Very low energy consumption
- Easy upgrade of existing installations supported by a wide range of brackets and adapters
- Operational flexibility with variable speed to match the real mixing task and to manage changes throughout the year
- The robust design and the Premium Efficiency motor give superior reliability and long operating life

Key characteristics

Capacities	up to 1.79 m ³ /s / 28'300 USgpm
Diameters	up to 900 mm / 35 in.
Temperatures	up to 40°C / 104°F



HST™ turbocompressor

Features and benefits

- High efficiency, guaranteeing optimal life cycle costs
- Low noise: no need for additional soundproofing
- Wear-free, requiring minimal maintenance
- Simple design with integrated components
- Accurate flow measurement
- Vibration-free, ensuring less stress for pipe work
- Fully certified
- Operates alongside all types of conventional blowers

Key characteristics

Flow	up to 16'000 Nm ³ /h / 10'200 SCFM
Pressure rise	up to 130 kPa / 18.9 psi
Motor power	75 to 400 kW / 100 to 500 hp



HSR turbocompressor

Features and benefits

- 100% oil-free, environmentally friendly and safe
- Premium efficiency, low life cycle costs
- Wear-free, low maintenance costs
- Real-time monitoring secures the trouble-free operation
- Vibration-free, low machine noise
- Advanced liquid cooling system enables energy recovery

Key characteristics

Flow	up to 56 m ³ /min / 2'000 CFM
Pressure rise	2 to 9 bar (g) / 43 to 139 psig
Motor power	115 to 325 kW / 154 to 436 hp





www.sulzer.com

E10415 en 2.2022, Copyright © Sulzer Ltd 2022
This brochure is a general presentation. It does not provide any warranty or guarantee of any kind. Please, contact us for a description of the warranties and guarantees offered with our products. Directions for use and safety will be given separately. All information herein is subject to change without notice.