

# SULZER

## SPARE PARTS LIST/ERSATZTEILLISTE/LISTE DE PIÈCES DE RECHANGE

### RW 200 S13/4 D 50Hz Std. & EX RW 200 S16/4 D 60Hz Std. & FM

Valid from Serial Number: 100 -  
(New design lifting bracket, see kit 62665268)

Page :  
Issue of : 20/10/11  
Supersedes Issue :  
Issue No. : 01,02,03  
Drawing ref. Nr. : ANS12073-03

Pos. No.	Part No.	Kit	Qty	Description	Benennung	Designation	Dimensions /Din	Comments	Price
1	31005033		1	Motorhousing	Motorgehäuse	Carcasse moteur			
2	11120829	AB	1	O-ring	O-ring	Joint torique	Ø32x3 DIN3771	Viton	
3	43025540		1	Cable	Kabel	Cable	7x1.5 Tecwater	10m (W)	
3	43025541		1	Cable	Kabel	Cable	7x1.5 Tecwater	20m (W)	
3	43025542		1	Cable	Kabel	Cable	7x1.5 Tecwater	30m (W)	
3	43025535		1	Cable	Kabel	Cable	7x1.5 Tecwater	10m (D)	
3	43025536		1	Cable	Kabel	Cable	7x1.5 Tecwater	20m (D)	
3	43025537		1	Cable	Kabel	Cable	7x1.5 Tecwater	30m (D)	
3	43025204			Cable	Kabel	Cable	14/7 SOW-A	10m (W)	
3	43025218			Cable	Kabel	Cable	14/7 SOW-A	20m (W)	
3	43025219			Cable	Kabel	Cable	14/7 SOW-A	30m (W)	
3	43025203			Cable	Kabel	Cable	14/7 SOW-A	10m (D)	
3	43025212			Cable	Kabel	Cable	14/7 SOW-A	20m (D)	
3	43025220			Cable	Kabel	Cable	14/7 SOW-A	30m (D)	
4	31320140		1	Cable cap	Kabeleinführung	Entree de cable	GG25 (Ø20)	Cable 4x1.5+3x0.5,14/7	
5	42015009		2	Washer	Scheibe	Rondelle	Ø34x18x1.5	Cable 4x1.5+3x0.5 Cable 7x1.5 Tecwater	
5	42015005		2	Washer	Scheibe	Rondelle	34x19.5x1.5	Cable SOW-A 14/7	
6	11210238		4 (2)	Cylinder screw	Zyl.Blechschaube	Vis à tête plate	M8x30 DIN912	1.4401 (2) Easyfit	
8	31425029	C	1	Bracket	Haltewinkel	Butée		Rear	
9	31425030	C	1	Bracket	Haltewinkel	Butée		Front	
8	44425050		4	Bracket right	Haltewinkel	Butée		Use 31425029, 31425030, & 11210244, 11400055 (x2)	
9	44425051		4	Bracket left	Haltewinkel	Butée			
10	11210243	C	2	Cylinder screw	Zylinderschraube	Vis à tête cylindrique	M8x25 DIN912	1.4401	
11	11400084	C	2	Hexagonal nut	Sechskantmutter	Ecrou hexagonal	M8 DIN985	1.4401	
**	11210106	C	3	Cylinder screw	Zylinderschraube	Vis à tête cylindrique	M8x20 DIN912	1.4401	
**	11400084	C	3	Hexagonal nut	Sechskantmutter	Ecrou hexagonal	M8 DIN985	1.4401	
**	11210244	C	2	Cylinder screw	Zylinderschraube	Vis à tête cylindrique	M10x25 DIN912	1.4401	
**	11400055	C	2	Hexagonal nut	Sechskantmutter	Ecrou hexagonal	M10 DIN985	1.4401	
12	42340346	C	1	Coupling	'Kupplung	'Accouplement			
13	43075028	A	1	Cable seal	Kabdichtung	Joint de kabel	Ø34x14.8x29.5H	Cable 7x1.5 Tecwater	
13	43075034	B	1	Cable seal	Kabdichtung	Joint de kabel	Ø34x14.8x29.5H (viton)	Cable 7x1.5 Tecwater	
13	43075048	A	1	Cable seal	Kabdichtung	Joint de kabel	Ø34x16x29.5H	Cable 4x1.5+3x0.5	
13	43075057	B	1	Cable seal	Kabdichtung	Joint de kabel	Ø34x16x29.5H (viton)	Cable 4x1.5+3x0.5	
13	43075029	A	1	Cable seal	Kabdichtung	Joint de kabel	Ø34x18x29.5H	Cable SOW-A 14/7	
13	43075035	B	1	Cable seal	Kabdichtung	Joint de kabel	Ø34x18x29.5H (viton)	Cable SOW-A 14/7	
14	44510118		1	Lifting device	Hebevorrichtung	Mecanisme de levage			
15	12180044		4	Butt connection	St. verbinder	Connecteur	Ø1.0-2.5mm		
16	11060005		1	Support Washer	Tragscheibe	Rondelle	Ø20x28x2 DIN988		
17	11120817	A	1	O-ring	O-ring	Joint torique	Ø160x3 DIN3771		
17	11120870	B	1	O-ring	O-ring	Joint torique	Ø160x3 DIN3771	Viton	
18	11010048		1	Ball bearing	Kugellager	Roulement à billes	6304 Z DIN625		
19	11080010	AB	1	Circlip	Sicherungsring	Circlips	Ø52x2 DIN472		

# SULZER

## SPARE PARTS LIST/ERSATZTEILLISTE/LISTE DE PIÈCES DE RECHANGE

### RW 200 S13/4 D 50Hz Std. & EX RW 200 S16/4 D 60Hz Std. & FM

Valid from Serial Number: 100 -  
(New design lifting bracket, see kit 62665268)

Page :  
Issue of : 20/10/11  
Supersedes Issue :  
Issue No. : 01,02,03  
Drawing ref. Nr. : ANS12073-03

Pos. No.	Part No.	Kit	Qty	Description	Benennung	Designation	Dimensions /Din	Comments	Price
20	11110001		1	Mechanical seal	Gleitringdichtung	Garniture mecanique	Ø20mm		
20	11110149		1	Mechanical seal	Gleitringdichtung	Garniture mecanique	Ø20mm (Viton)	Viton	
21	11470072		1	Washer	Scheibe	Rondelle	Ø8.4 DIN9021	1.4301	
22	11210243		1	Cylinder screw	Zylinderschraube	Vis à tête cylindrique	M8x25 DIN912	1.4401	
23	14990008		1	Shackle	Schäkel	Manille	DIN82101		
24	11010013		1	Ball bearing	Kugellager	Roulement à billes	6201 2RSR DIN625		
25	65005458		1	Stator	Wicklung	Stator	230/3/50	S13/4	
25	65005342		1	Stator	Wicklung	Stator	400/3/50	S13/4	
25	65005459		1	Stator	Wicklung	Stator	500/3/50	S13/4	
25	65005462		1	Stator	Wicklung	Stator	208/3/60	S16/4	
25	65005343		1	Stator	Wicklung	Stator	230/3/60	S16/4	
25	65005463		1	Stator	Wicklung	Stator	380/3/60	S16/4	
25	65005342		1	Stator	Wicklung	Stator	460/3/60	S16/4	
25	65005459		1	Stator	Wicklung	Stator	575/3/60	S16/4	
28	65015079		1	Rotor shaft	Rotor mit Welle	Rotor avec arbre	1.4021	S13/4,S16/4	
28	65015083		1	Rotor shaft	Rotor mit Welle	Rotor avec arbre	1.4401	S13/4,S16/4	
29	11130003	AB	1	Seal ring	Dichtung	Rondelle joint	Ø6x10 DIN7603		
30	11210253		1	Cylinder screw	Zylinderschraube	Vis à tête cylindrique	M6x10 DIN912		
31	11490020	AB	1	Seal washer	Verschlusscheibe	Rondelle joint	DIN470		
32	11070006	AB	1	Circlip	Sicherungsring	Circlip	Ø20x1.2 DIN471		
34	11210239		3	Cylinder screw	Zylinderschraube	Vis à tête cylindrique	M10x35 DIN912		
35	31155023		1	Bearing lid	Lager deckel	Couvercle palier	GG25	Std./EX EECS	
35	31155035		1	Bearing lid	Lager deckel	Couvercle palier	GG25	Std. Euro DI-probe Std. US DI-probe	
35	31155025		1	Bearing lid	Lager deckel	Couvercle palier	GG25	FM DI-probe	
36	11090009	AB	1	Lip seal	Wellendichtung	Joint à levres	Ø20x52x10 DIN3760		
37	11030046		0.56	Oil	Öl	Huile			
38	31045021		1	Oil chamber	Ölkammer	Boîte a huile			
39	15070082	AB	1	Clamping Strap	Klemmbügel	Etrier serrage	7mm		
40	15070083	AB	1	Clamping segment	Klemme	Bague serrage			
41	43075070	A	1	Seal ring	Dichtung	Rondelle joint			
41	43075071	B	1	Seal ring	Dichtung	Rondelle joint		Viton	
42	11630131		1	Impeller key	Paßfeder	Clavette	6x6x16		
43	35075190		1	Propeller	Propeller blatt	Hélice	Ø200		
44	11650001	AB	1	Locking Washer	Klemmscheibe	Rondelle-frein	M8 PVC/NITR		
45	11260100		1	Lens Head Screw	Flachkopfschraube	Vis à tête plate	M8x10 DIN85		
46	11260104		1	Hexagonal screw	Sechskantschraube	Vis hexagonal	M5x10 DIN85 GV		
47	11500003		1	Locking washer	Sicherungsscheibe	Toile-frein	A5.1 DIN6797		
48	12180014		1	Cable shoe	Flachsteckhülse	Cosse-câble	Ø1.5-2.5mm		
49	43070326		1	Seal for DI	Dichtung für DI	Joint pour DI			
50	12180144		1	Round plug	Rundstecker	Fiche ronde	Ø4mm		
51	42130403		1	DI-probe	DI-electrode	Sonde DI			
52	41425032		1	Bracket	Haltewinkel	Butée			

# SULZER

## SPARE PARTS LIST/ERSATZTEILLISTE/LISTE DE PIÈCES DE RECHANGE

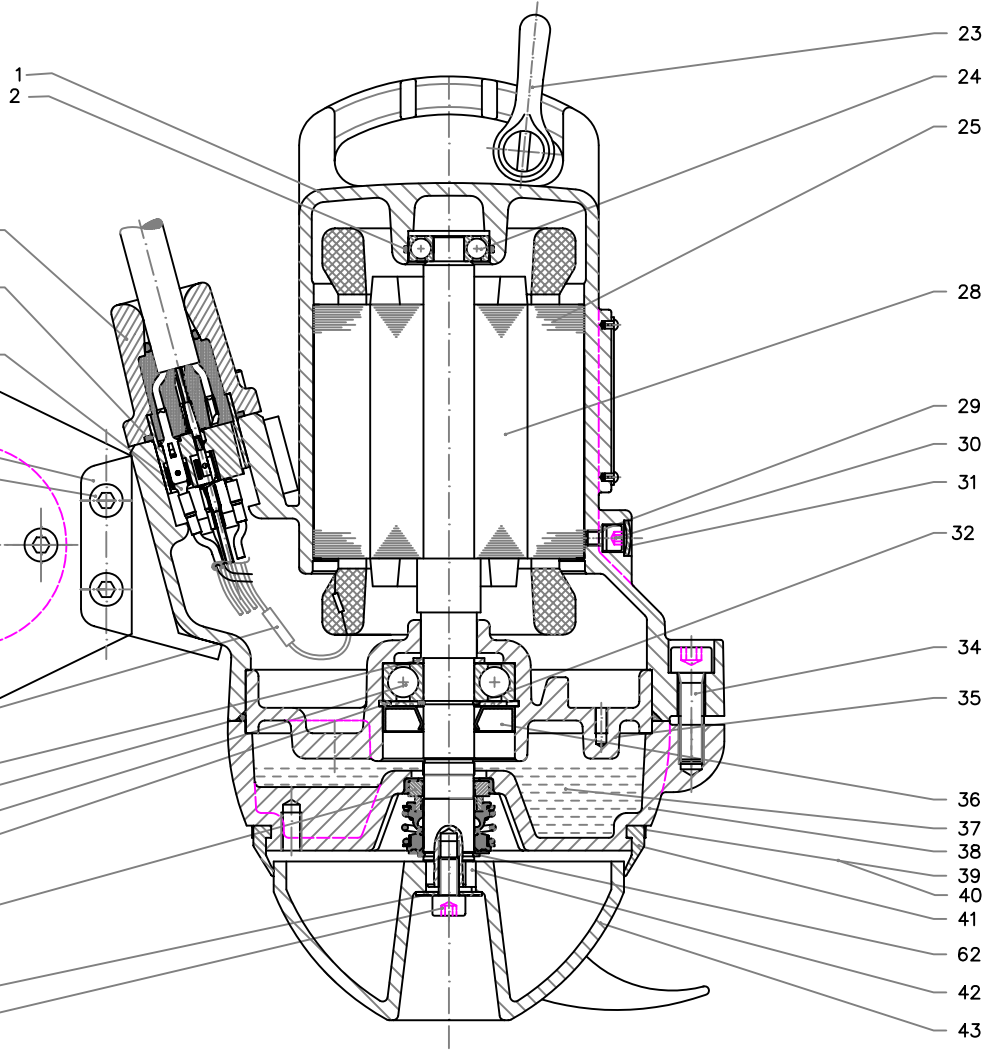
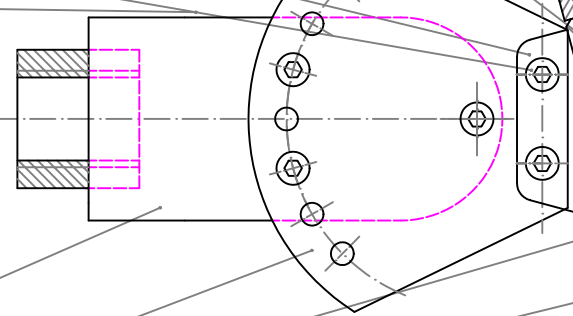
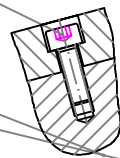
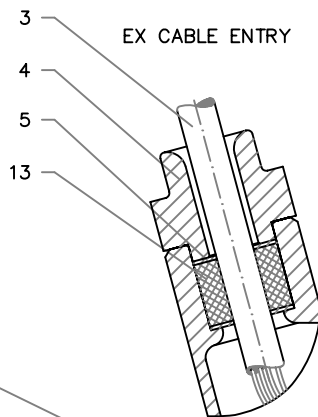
### RW 200 S13/4 D 50Hz Std. & EX RW 200 S16/4 D 60Hz Std. & FM

Valid from Serial Number: 100 -  
(New design lifting bracket, see kit 62665268)

Page :  
Issue of : 20/10/11  
Supersedes Issue :  
Issue No. : 01,02,03  
Drawing ref. Nr. : ANS12073-03

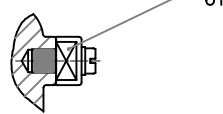
Pos. No.	Part No.	Kit	Qty	Description	Benennung	Designation	Dimensions /Din	Comments	Price
53	11260091		1	Lens Head Screw	Flachkopfschraube	Vis à tête plate	M5x12 DIN85		
54	12120241		1	DI-probe	DI-electrode	Sonde DI	M12	FM	
55	12180144		1	Round plug	Rundstecker	Fiche ronde	Ø4mm		
56	42135000		1	DI-probe	DI-electrode	Sonde DI			
57	11080027		1	Circlip	Sicherungsscheibe	Circlip	Ø7x0.9mm DIN6799		
58	11060014		1	Support washer	Tragscheibe	Rondelle	Ø42x52x2.5 DIN988		
59	11100066		1	Mechanical seal	Gleitringdichtung	Garniture mecanique	Ø20mm	CARBON-CHROME	
60	11070006	AB	1	Circlip	Sicherungsring	Circlip	Ø20x1.2 DIN471		
61	12170027		1	Earth plug	Erdungsanschluß	Prise de terre			
62	11070005	AB	1	Circlip	Sicherungsring	Circlip	Ø20x1.2 DIN471	1.4122	
63	43025334		1	Cable EasyFit	Kabel EasyFit	Cable EasyFit	7x1.5 TecWater	10m (W)	
63	43025335		1	Cable EasyFit	Kabel EasyFit	Cable EasyFit	7x1.5 TecWater	20m (W)	
63	43025336		1	Cable EasyFit	Kabel EasyFit	Cable EasyFit	7x1.5 TecWater	30m (W)	
63	43025323		1	Cable EasyFit	Kabel EasyFit	Cable EasyFit	7x1.5 TecWater	10m (D)	
63	43025325		1	Cable EasyFit	Kabel EasyFit	Cable EasyFit	7x1.5 TecWater	20m (D)	
63	43025327		1	Cable EasyFit	Kabel EasyFit	Cable EasyFit	7x1.5 TecWater	30m (D)	
63	43025379		1	Cable EasyFit	Kabel EasyFit	Cable EasyFit	14/7 SOW-A	10m (W)	
63	43025381		1	Cable EasyFit	Kabel EasyFit	Cable EasyFit	14/7 SOW-A	20m (W)	
63	43025382		1	Cable EasyFit	Kabel EasyFit	Cable EasyFit	14/7 SOW-A	30m (W)	
63	43025375		1	Cable EasyFit	Kabel EasyFit	Cable EasyFit	14/7 SOW-A	10m (D)	
63	43025377		1	Cable EasyFit	Kabel EasyFit	Cable EasyFit	14/7 SOW-A	20m (D)	
63	43025378		1	Cable EasyFit	Kabel EasyFit	Cable EasyFit	14/7 SOW-A	30m (D)	
64	11120829		1	O-ring	O-ring	Joint torique	Ø32x3 DIN3771	Viton	
65	12180002		4(7)	Cable shoe	Flachsteckhülse	Cosse-câble		(7) for 7 core cable	
**	62665268	C	1	Not shown on drawing	Nicht auf zeichnung	Il n'est pas au dessin			
	61195082	A	1	Seal kit	Dichtungssatz	Jeu de joint complet			
	61195084	B	1	Seal kit	Dichtungssatz	Jeu de joint complet		Viton	

EX CABLE ENTRY

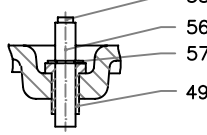


- 6
- 8
- 9
- 10
- 11
- 12
- 14
- 15
- 16
- 17
- 18
- 19
- 20
- 21
- 22

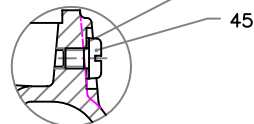
EXTERNAL EARTH PLUG EX. (EECS)



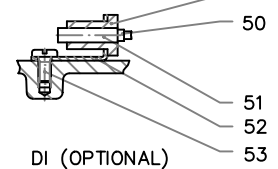
DI (OPTIONAL) Std. Euro/USA



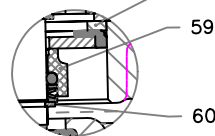
OIL SCREW



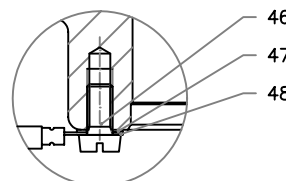
DI (OPTIONAL) EX EECS



2nd Mech. seal



EARTH CONNECTION



DI (OPTIONAL) FM

