

Grinder - 30005 Muffin Monster® - Open channel series

SULZER

The 30005 Muffin Monster sewage grinder is designed to protect pumps and other equipment by grinding down the toughest wastewater solids. Its dual-shafted, slow speed, high-torque design shreds tough solids that typically cause sewer problems.

Construction

- Open channel configuration
- Grinder cutter stack heights from 300 mm to 1500 mm
- Hardened alloy steel cutters (standard), 120 mm diameter
- Ductile iron housings
- Hardened alloy steel shafts, 50 mm hex
- Mechanical seals with tungsten carbide faces, 10.3 bar maximum dry working pressure
- Available with channel or wall mounted frame options for easy installation

Performance

- Flow rates up to 1277 m³/hr

Applications

- Pump stations
- Collection systems
- Headworks at wastewater treatment
- Private facility discharge to municipal sewer system
- Prison sewage system protection
- Industrial wet waste grinding and maceration

Monster Renew grinder

In place of repairing a worn grinder, choose a Monster Renew unit. Sulzer provides a new, factory-built grinder cartridge to replace the worn grinder cartridge. Remove the motor and reducer from the worn unit, install the motor and reducer on the Monster Renew unit, and install the new assembly in place of the worn unit. Benefits include:

- Minimizes operational downtime
- Quick turnaround
- All new parts
- Great time to upgrade unit
- Full factory warranty on the Monster Renew grinder cartridge

Muffin Monster grinder cutters

Tooth count	Thickness	Material
7-tooth	11 mm	Hardened alloy steel
11-tooth	8 mm	Hardened alloy steel
17-tooth Wipes Ready®	11 mm	Hardened alloy steel



Muffin Monster motor assembly

- 2.2 kW standard, 4.0 kW optional
- Optional explosion proof and immersible motors available
- 25:1 reducer, cycloidal design

Muffin Monster frame options

- Adapt grinders for easy installation
- Channel frames to fit most channel types
- Wall frames to mount on flat or round walls
- Type 304 or 316 stainless steel construction
- Guide rails for easy installation and maintenance

Muffin Monster controller

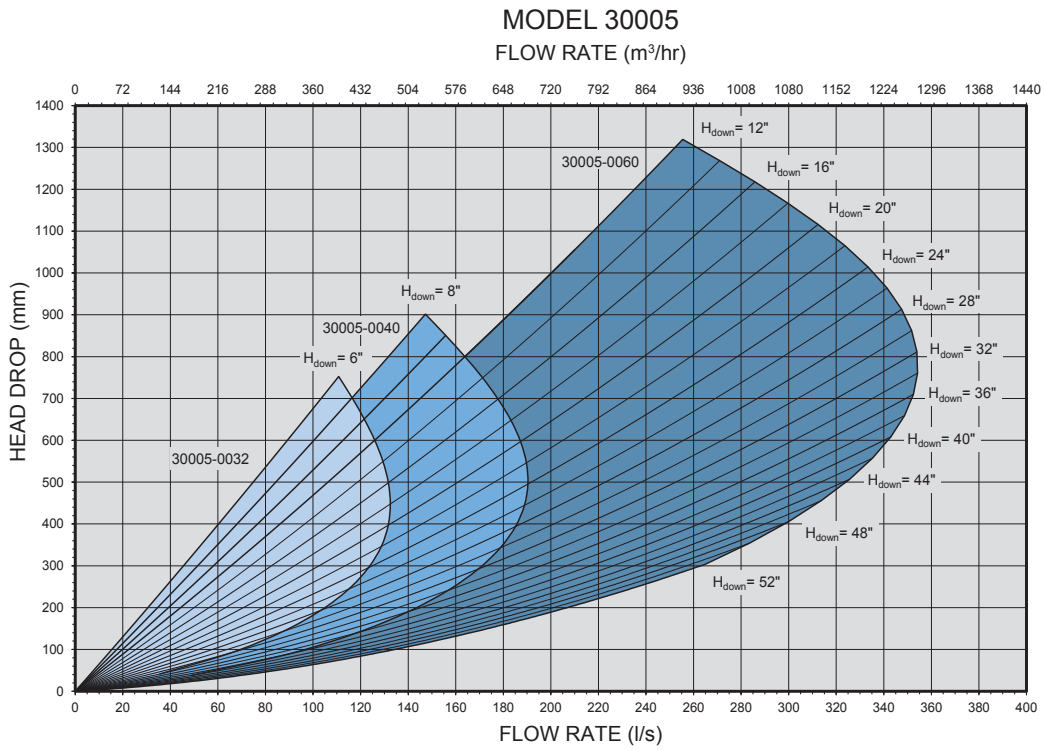
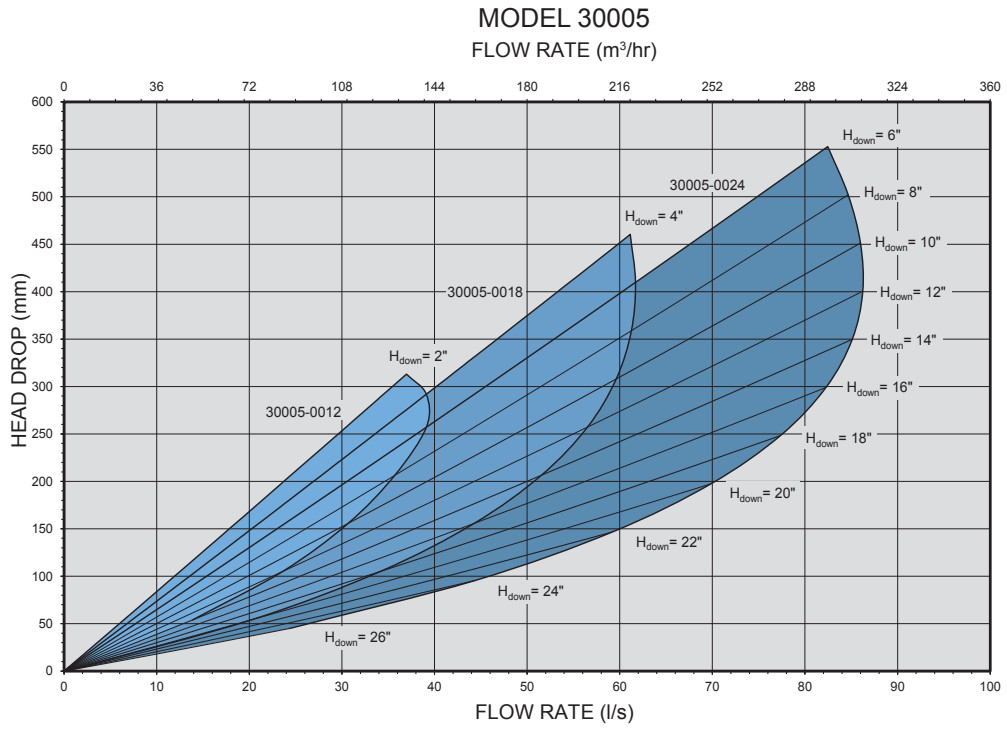
- Ensures maximum grinding ability with minimum stoppage
- Designed and programmed for specified motor

Muffin Monster grinder materials

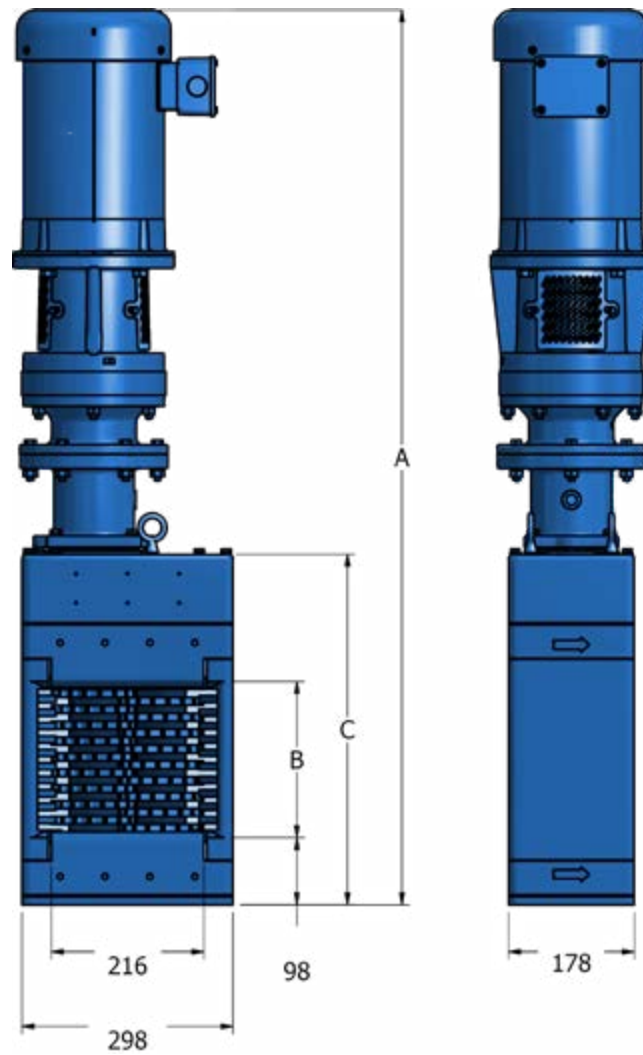
Part	Standard
Housings	Ductile iron
Cutters	Hardened alloy steel
Shafts	Hardened alloy steel
Mechanical seals	Tungsten carbide faces
Gaskets	Viton

For guidance in selecting a 30005 Muffin Monster, please contact Sulzer.

Performance curves



Dimensions (mm)



Open channel model	Flow rate ¹ - m ³ /hr	Head drop - mm	Standard dimensions ² - mm				Approximate net weight - kg
			A (IP55)	A (IP68)	B	C	
30005-0012	141	290	1307	1411	305	600	186
30005-0018	223	405	1456	1560	457	749	211
30005-0024	311	405	1602	1706	609	895	236
30005-0032	477	445	1799	1903	813	1092	263
30005-0040	686	495	2002	2106	1016	1295	295
30005-0060	1277	760	2474	2720	1524	1813	383

1. Flow based on optimum channel conditions. Consult factory for analysis of application.

2. Drive dimensions are a maximum based on a unit with a 4.0 kW motor.

