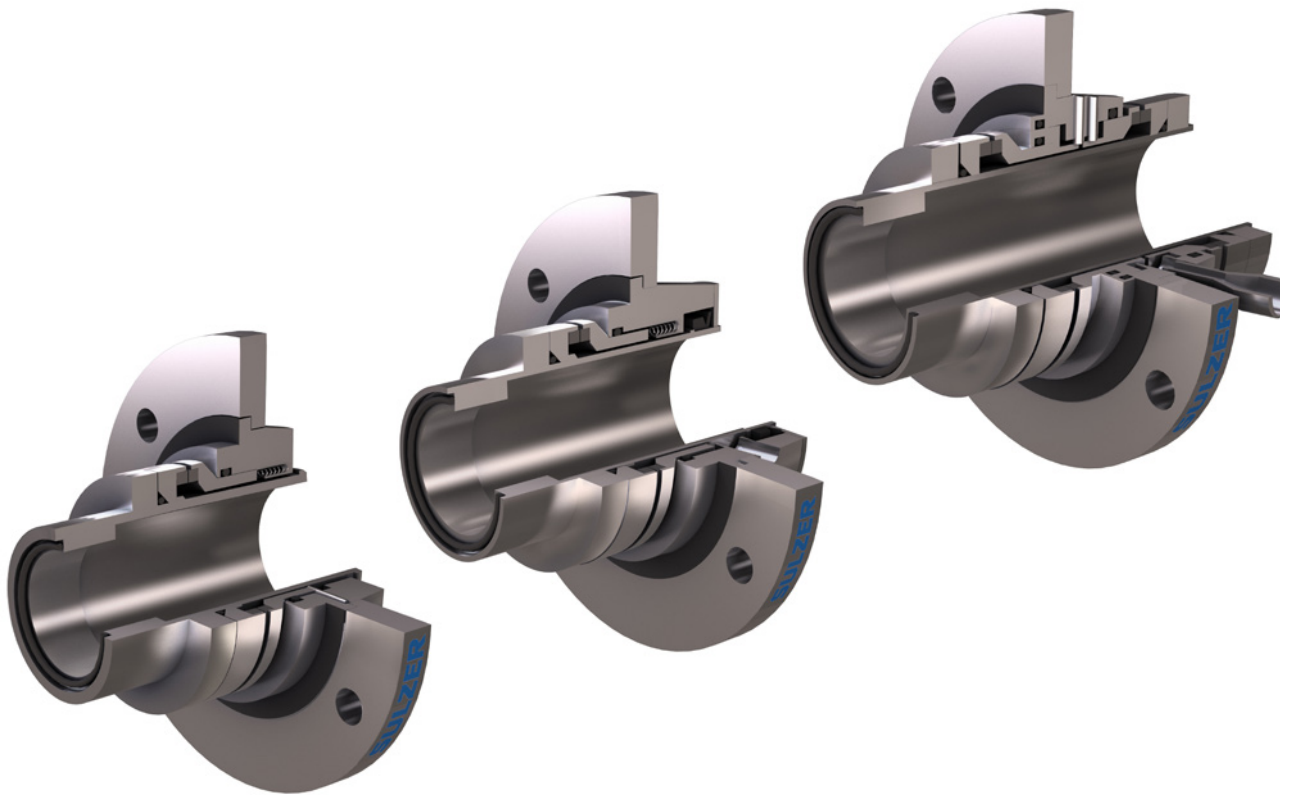


**COM1 Ready-fitted Cartridge Single,
COM1Q Ready-fitted Single with Quench and
COM2 Ready-fitted Cartridge Double
Mechanical Seals**



Simple and Robust Design Maximize Reliability Operation

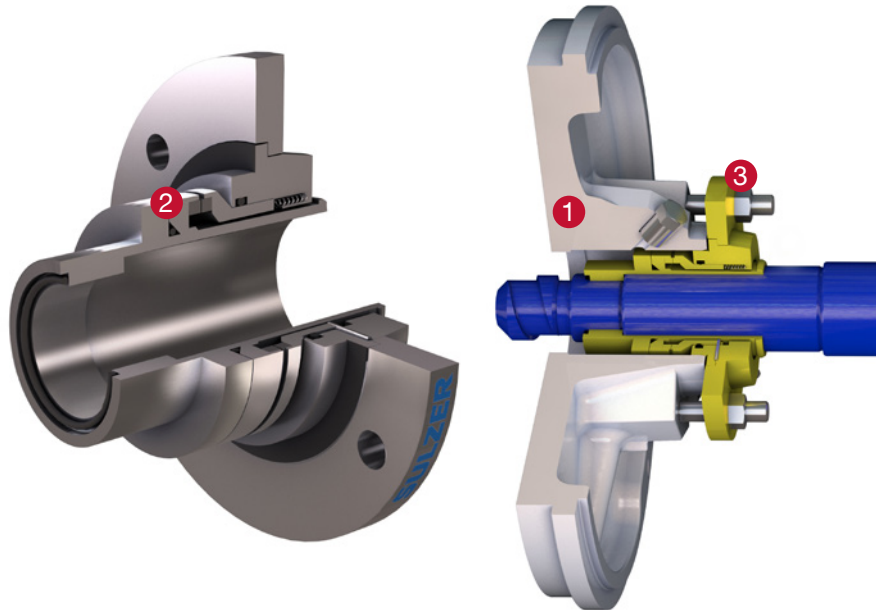
- 1 COM1, COM1Q and COM2 cartridge mechanical seals are designed for the seal chamber of the standard gland packing casing cover and for the standard shaft of different pump types like Ahlström KEST, Serlachius DE and Mako KPM.
- 2 The cartridge seal forms one solid unit having its own sleeve, fixing flange, seal faces, springs and all necessary O-rings, gaskets and fixing crews.
- 3 The seal is fixed into the casing cover by studs and nuts utilizing fixing slots (4x90°) on the seal flange. The shaft sleeve with the rotating sliding rings is fixed on the shaft by the impeller.

Technical Specifications / Material Alternatives

	COM1	COM1Q	COM2
P_{max}	16 bar / 232 psi	16 bar / 232 psi	16 bar / 232 psi
V_{max}	25 m/s / 82 ft/s	25 m/s / 82 ft/s	25 m/s / 82 ft/s
T_{max}	125°C / 257°F	140°C / 284°F	180°C / 355°F
Seal faces	SiC/SiC, C/SiC	SiC/SiC-SiC/SiC SiC/SiC-C/SiC	SiC/SiC-SiC/SiC SiC/SiC-C/SiC
O-rings	EPDM, FKM	EPDM, FKM	EPDM, FKM
Other parts	AISI 316, AISI 329	AISI 316, AISI 329	AISI 316, AISI 329

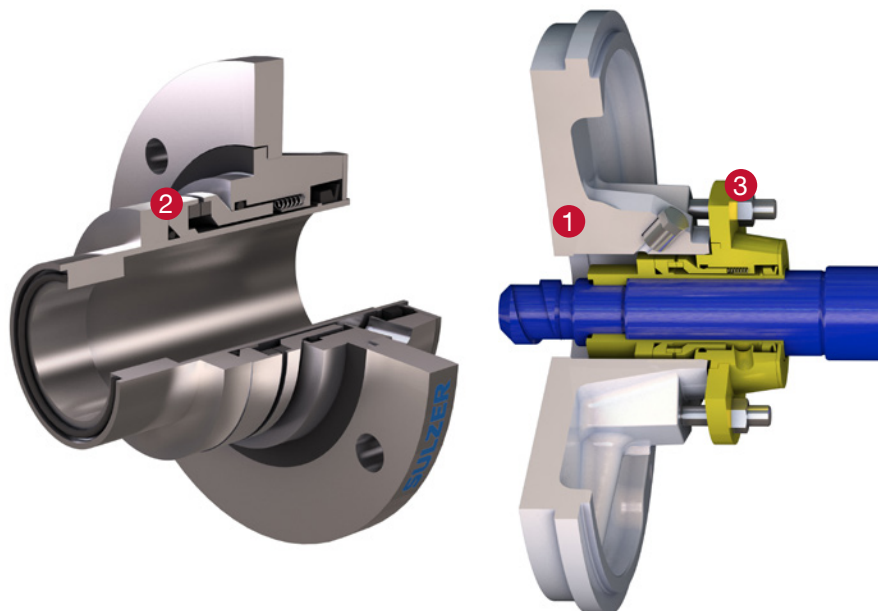
COM1 Ready-fitted Cartridge Single Seal

- The seal faces are lubricated by the pumped liquid pumped through the impeller balancing holes into the seal chamber
 - Positive inlet pressure is required
 - Impeller balancing holes are required
- Liquids:
 - Clean and slightly contaminated liquids
 - Viscous liquids
 - Fibrous slurries up to 2 - 4 % depending on quality
- Temperature up to 125°C / 257°F



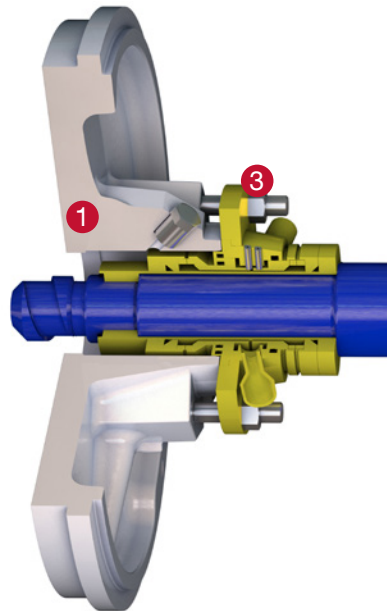
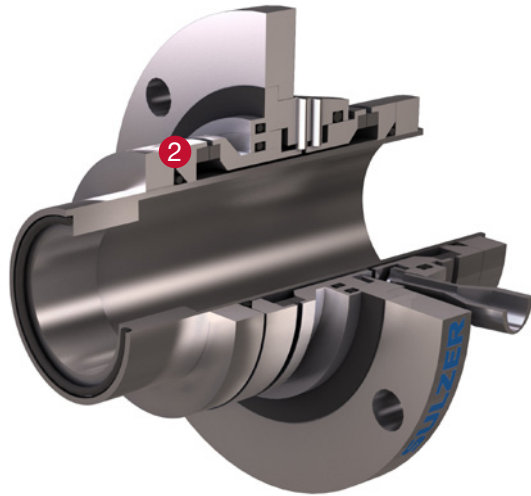
COM1Q Ready-fitted Single Seal with Quench

- The seal faces are lubricated by non-pressurized (quench) external clean sealing liquid led through a pipe/hose from an external source into the seal between the seal face and v-ring
 - Positive or negative inlet pressure
 - Impeller balancing holes are not required, but can be
- Temperature of the out-flowing sealing liquid may not exceed 60°C / 140°F
- Liquids:
 - Clean and slightly contaminated liquids
 - Viscous liquids up to 4,000 cSt
 - Fibrous slurries up to 8%
 - Liquids containing large solids
- Temperature up to 140°C / 284°F



COM2 Ready-fitted Cartridge Double Mechanical Seal

- The seal faces are lubricated by non-pressurized (quench) or pressurized (barrier) external clean sealing liquid led through a pipe/hose from an external source into the seal between the seal face pairs
 - Positive or negative inlet pressure
 - Impeller balancing holes are not required, but can be
- Temperature of the out-flowing sealing liquid may not exceed 60°C / 140°F
- Liquids:
 - Clean and slightly contaminated liquids
 - Viscous liquids up to 4,000 cSt
 - Fibrous slurries up to 8%
 - Liquids containing large solids
- Temperature up to 180°C / 355°F



We Do What We Say

Customer Partnership

- We are **reliable partners**.
- We provide a **high level of service**.
- We **make our customers more competitive**.



Committed People

- We drive **accountability**.
- We are **open and transparent**.
- We are **team players**.



Operational Excellence

- We **focus on results**.
- We take **initiative** and work within **established processes**.
- We **act safely**.



A Global Specialist at Your Doorstep

Sulzer serves clients worldwide through a network of over 150 production and service sites and has a strong footprint in emerging markets.





www.sulzer.com

E10247 en 4.2016 (1,000), Copyright © Sulzer Ltd 2016

This brochure is a general presentation. It does not provide any warranty or guarantee of any kind. Please, contact us for a description of the warranties and guarantees offered with our products. Directions for use and safety will be given separately. All information herein is subject to change without notice.