

SJM Vertical Mixed Flow Pump



Main Applications

SJM pumps can handle common types of fluids including water, service water and wastewater. They are used in the following applications:

- Cooling water pumps in utility and industrial power stations
- Raw water supply to process plants or refineries
- Condenser circulation service in nuclear or conventional power plants
- Finished water booster pumps
- Large irrigation projects

Features and Benefits

1 Bowls

- Combine energy conversion and diffusion of the intermediate bowl and discharge case in one single casing
- Reduce the required components and allow for a direct connection to the column pipe

2 Discharge head

- Integral driver stand allows easy access to removable packing/seal box and coupling
- Each standardized discharge head comes with a segmented bend/motor stool and utilizes a stuffing box designed to accommodate various mechanical seals

3 Impeller

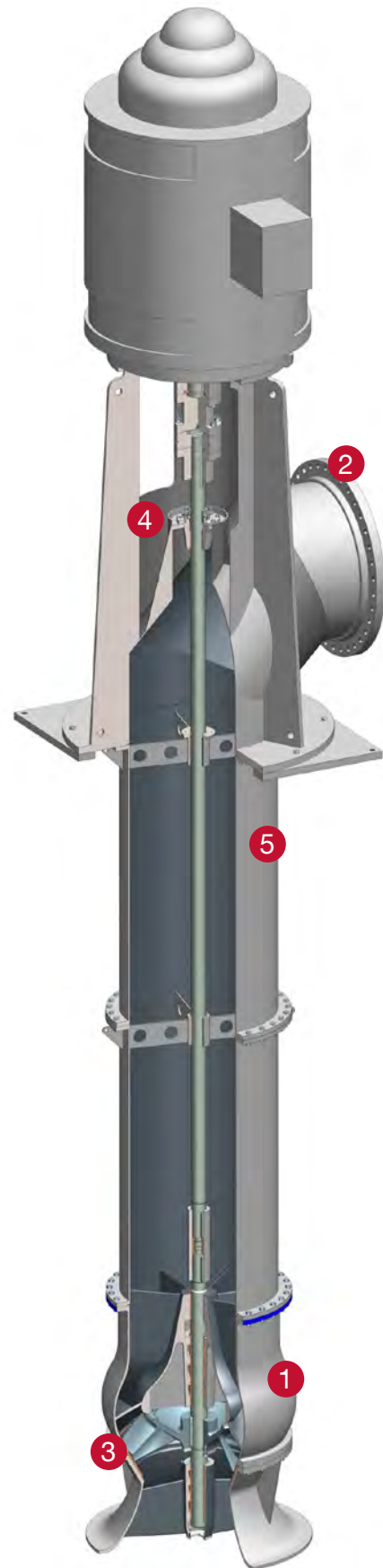
- Semi-open design, cast from various materials of choice for versatility
- Balanced to ensure vibration free operations
- Polished to optimize performance
- Secured to shaft by a key and split thrust ring

4 Shaft seal

- Packed stuffing box provided for reliable sealing and simple maintenance

5 Column assembly

- Column pipes are flanged
- Line shaft bearings are replaceable
- Column assemblies have an integral spider for column diameter above 14" (350 mm)



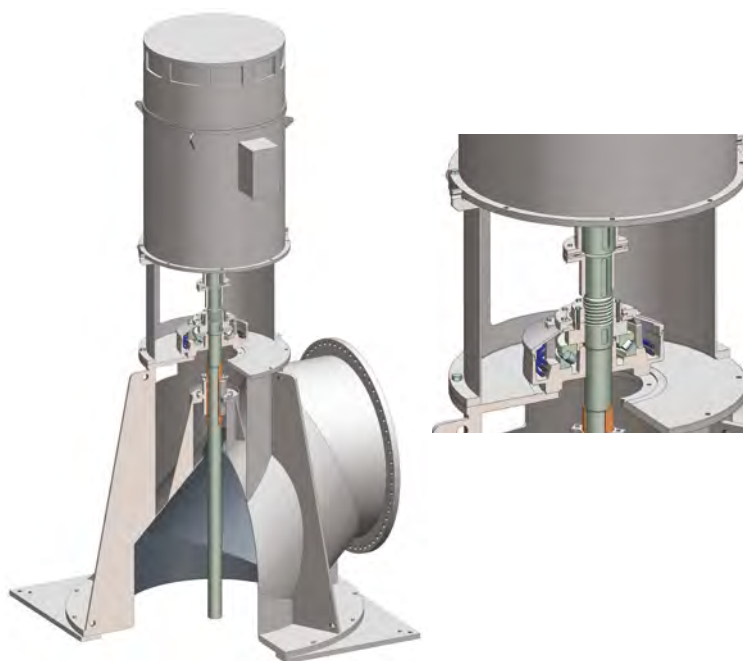
Options

Thrust bearing assembly

Thrust bearing assemblies are available when required by application. They are built to handle all of the down thrust produced by the pump and as much momentary up thrust that may occur. A one-piece fabricated motor stand housing is bolted down over the discharge to protect the bearing and support the motor.

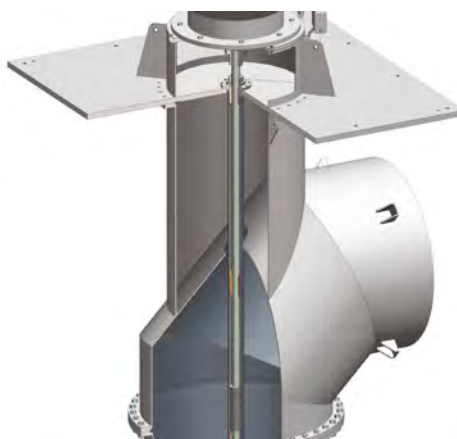
The flexible coupling with spacer allows servicing the thrust bearing and mechanical seal as needed.

Optional features include sandstorm protection, special means for cooling and a constant level oil lubricator.



Discharge head

Below ground discharge head is available. Each comes with a segmented elbow designed to optimize pump efficiency. The elbows are made of various materials to meet virtually any requirements. The discharge nozzle can be either plain-end or flanged. The motor stand is mounted above ground and is designed to support the weight and provide the maximum clearance for multiple stuffing box options.



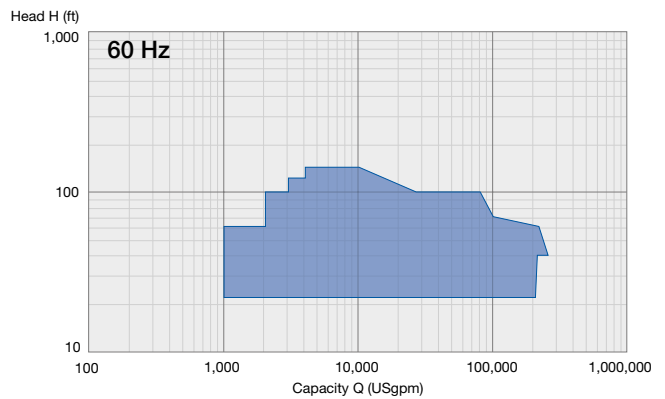
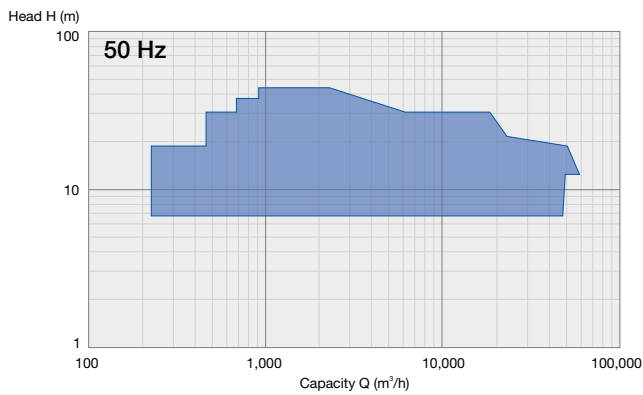
SJM Vertical Mixed Flow Pump



Operating data

50 Hz		60 Hz
200 to 2,390 mm	Bowl sizes	8 to 94 in
up to 58,000 m ³ /h	Capacities	up to 250,000 USgpm
up to 25 m per stage	Heads	up to 82 ft per stage
up to 18 bar	Pressures	up to 260 psi
up to 50°C	Temperatures	up to 122°F

Performance ranges



Materials

Pump part	Material
Cast parts	Cast iron, carbon steel, 316 stainless steel, duplex, super duplex and bronze
Shafts	12% chrome, 316 stainless steel, duplex, super duplex and monel
Fabrications	Carbon steel, 316L, duplex and super duplex
Bearings	Rubber, lined bronze, duplex and super duplex

We Do What We Say

Customer partnership

- We are **reliable partners**
- We provide a **high level of service**
- We **make our customers more competitive**



Committed people

- We drive **accountability**
- We are **open and transparent**
- We are **team players**



Operational excellence

- We **focus on results**
- We take **initiative** and work within **established processes**
- We **act safely**



A Global Specialist at Your Doorstep

Sulzer serves clients worldwide through a network of over 150 production and service sites and has a strong footprint in emerging markets.





www.sulzer.com

E00016 en (2) 5.2015 (1,000), Copyright © SULZER Ltd, 2015

This brochure is a general presentation. It does not provide any warranty or guarantee of any kind. Please, contact us for a description of the warranties and guarantees offered with our products. Directions for use and safety will be given separately. All information herein is subject to change without notice.