

SULZER

Massblatt PIRANHA PE110/2-55/2 Nassinstallation
 Dimension sheet WET-WELL Installation
 Dimensioni Installazione sommersa
 Hoja de dimensiones instalación sumergida
 Plan d'encombrement Installation noyee

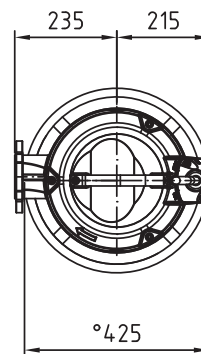
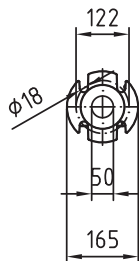
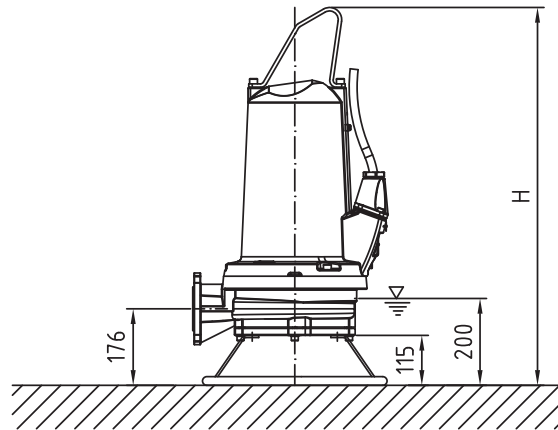
No: AN-M.04.043 -01
 Drawn: 25/09/09 D.Whelan
 Issue Date: 25.09.09
 Änderungen vorbehalten
 Technical changes reserved
 Con riserva di modifiche
 Con reserva de modificaciones
 Sous réserve de modification

50 Hz**S.I.**

Typ Type Tipo	Gewicht Weight Poids Peso (kg)	H
PE 55/2	134	800
PE 70/2	134	800
PE 90/2	164	800
PE 110/2	164	870

60 Hz

Typ Type Tipo	Gewicht Weight Poids Peso (kg)	H
PE 80/2	144	800
PE 100/2	174	870
PE 110/2	174	870
PE 125/2	174	870



Gewicht: Beinhaltet Pumpe, Bodenstufgestell und Kabel (50Hz = 10m; 60Hz = 15m)
 Weight: includes pump, skirtbase and cable (50Hz = 10m; 60Hz = 15m)
 Peso: Incluye bomba, base soporte y cable (50Hz = 10m; 60Hz = 15m)
 Peso: include: pompa, base d'appoggio e cavo (50Hz = 10m; 60Hz = 15m)
 Poids: incluant la pompe, le trepied et le câble (50Hz = 10m; 60Hz = 15m)

Guss-Allgemeintoleranzen nach DIN1680 - GTB16
 General tolerances for castings in acc. to DIN1680-GTB16
 Tolleranze generali delle fusioni secondo DIN1680-GTB16
 Tolerancias generales para la fundición ség. de DIN1680-GTB16
 Tolérance générale de la fonderie selon DIN1680-GTB16

SULZER

Massblatt PIRANHA PE110/2-55/2 Nassinstallation
 Dimension sheet WET-WELL Installation
 Dimensioni Installazione sommersa
 Hoja de dimensiones instalación sumergida
 Plan d'encombrement Installation noyee

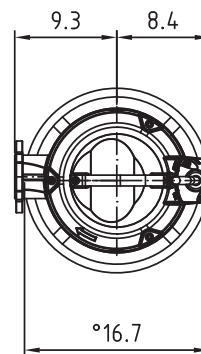
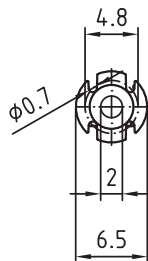
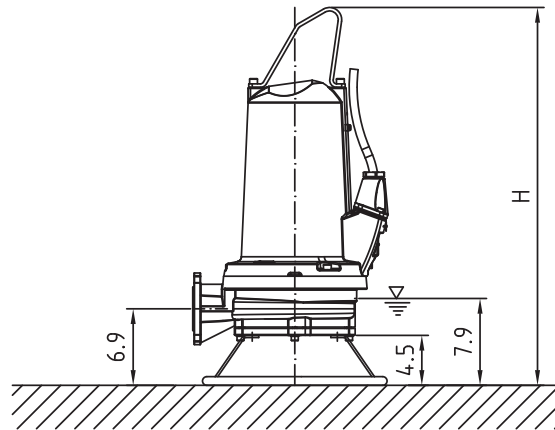
No: AN-M.04.043 -01
 Drawn: 25/09/09 D.Whelan
 Issue Date: 25.09.09
 Änderungen vorbehalten
 Technical changes reserved
 Con riserva di modifiche
 Con reserva de modificaciones
 Sous réserve de modification

50 Hz**U.S.**

Typ Type Tipo	Gewicht Weight Poids Peso (lbs)	H
PE 55/2	296	31.5
PE 70/2	296	31.5
PE 90/2	361	31.5
PE 110/2	361	34.3

60 Hz

Typ Type Tipo	Gewicht Weight Poids Peso (lbs)	H
PE 80/2	318	31.5
PE 100/2	384	34.3
PE 110/2	384	34.3
PE 125/2	384	34.3



Gewicht: Beinhaltet Pumpe, Bodenstufgestell und Kabel (50Hz = 10m; 60Hz = 15m)
 Weight: includes pump, skirtbase and cable (50Hz = 10m; 60Hz = 15m)
 Peso: Incluye bomba, base soporte y cable (50Hz = 10m; 60Hz = 15m)
 Peso: include: pompa, base d'appoggio e cavo (50Hz = 10m; 60Hz = 15m)
 Poids: incluant la pompe, le trepied et le câble (50Hz = 10m; 60Hz = 15m)

Guss-Allgemeintoleranzen nach DIN1680 - GTB16
 General tolerances for castings in acc. to DIN1680-GTB16
 Tolleranze generali delle fusioni secondo DIN1680-GTB16
 Tolerancias generales para la fundición ség. de DIN1680-GTB16
 Tolérance générale de la fonderie selon DIN1680-GTB16