

SULZER

SPARE PARTS LIST/ERSATZTEILLISTE/LISTE DE PIÈCES DE RECHANGE

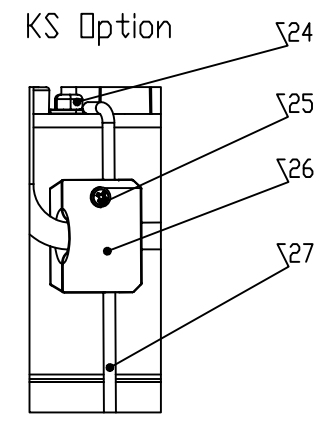
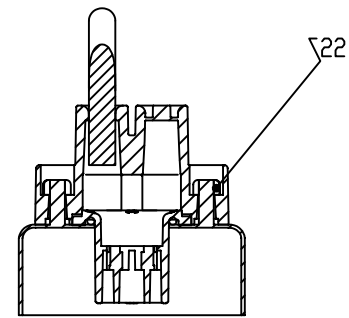
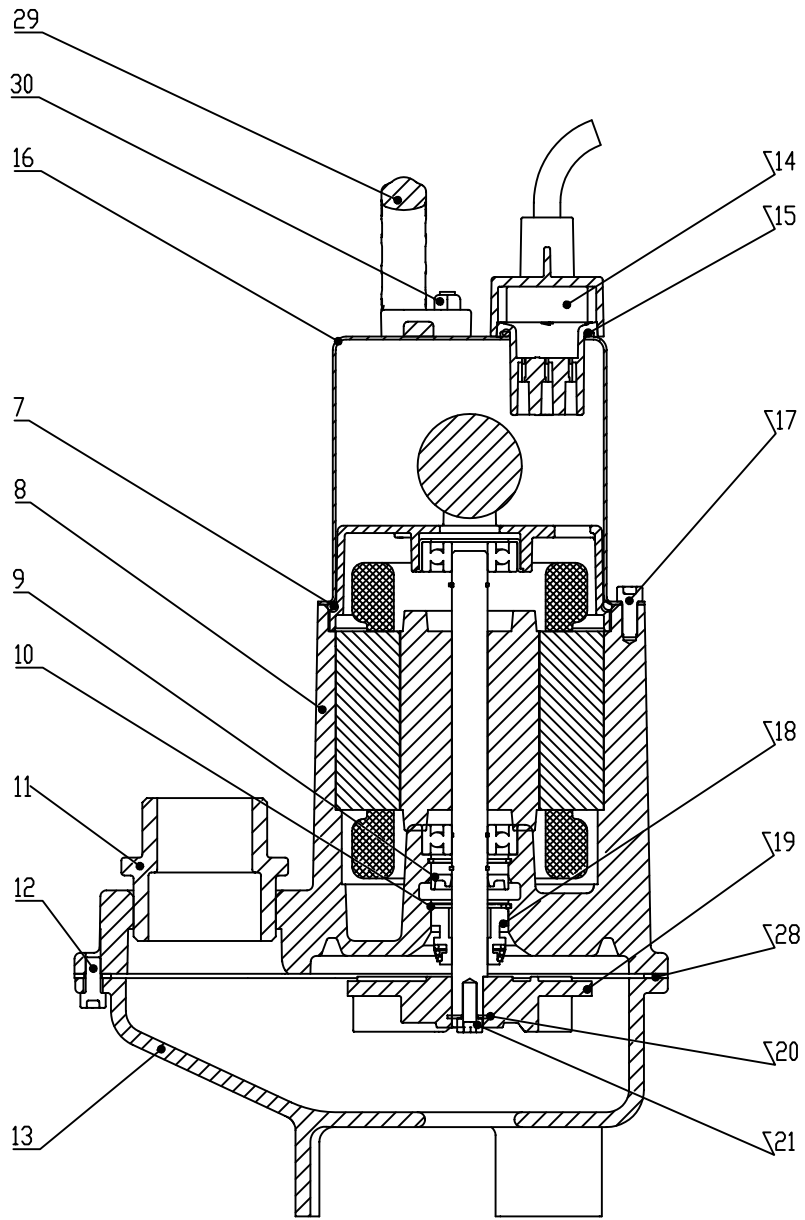
MF 254-324 W 50Hz (2000)
SE 4 W 60Hz

(With Cast Iron Motor Housing)

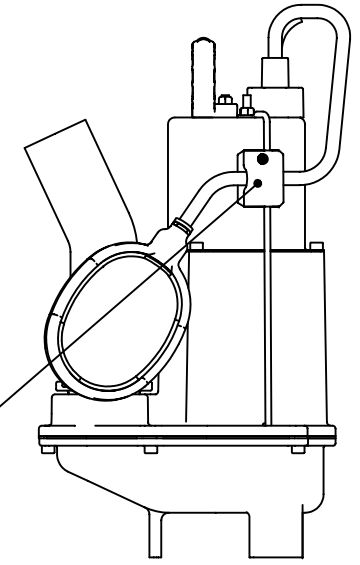
Valid from Serial Number: 100 -

 Page :
 Issue of : 20/10/11
 Supersedes Issue :
 Issue No. : 01,02,03,04
 Drawing ref. Nr. : ANS13333-04

Pos. No.	Part No.	Kit	Qty	Description	Benennung	Designation	Dimensions /Din	Comments	Price
7	11120195	A	1	O-ring	O-ring	Joint torique	88.49x3.53		
8	61275120		1	Motor	Motor	Moteur	230/1/50		
8	61275129		1	Motor	Motor	Moteur	115/1/60		
8	61275135		1	Motor	Motor	Moteur	208/1/60		
8	61275139		1	Motor	Motor	Moteur	230/1/60		
9	11090085	A	1	Lip seal	Wellendichtung	Joint à levres	Ø12x26x5 DIN3760		
10	11080072		1	Circlip	Sicherungsring	Circlip	Ø26x1.2 DIN472		
11	41185002		1	Hose Adapter	Rohrverbindung	Mamelon de racc	G1½"-1¼"		
11	13765000		1	Reducing sleeve	Reduzierhülse	Gaine de reduction	11/2"-2"	SE 4	
12	11210254		5	Cylinder screw	Zylinderschraube	Vis à tête cylindrique	M5x12 DIN912		
13	31055066		1	Volute lower	Kreiselkammer unten	Corps de pompe inf.		MF 254-324	
13	31055068		1	Volute lower	Kreiselkammer unten	Corps de pompe inf.		SE 4	
14	43025300		1	Cable EasyFit	Kabel EasyFit	Cable EasyFit	10m Non-KS (WP)	230/1/50	
14	43025303		1	Cable EasyFit	Kabel EasyFit	Cable EasyFit	10m KS (WP)	230/1/50	
14	43025301		1	Cable EasyFit	Kabel EasyFit	Cable EasyFit	3m KS (WP)	230/1/50	
14	43025302		1	Cable EasyFit	Kabel EasyFit	Cable EasyFit	5m Non-KS (WPUS)	115/1/60	
14	43025304		1	Cable EasyFit	Kabel EasyFit	Cable EasyFit	5m KS (WP)	115/1/60	
14	43025305		1	Cable EasyFit	Kabel EasyFit	Cable EasyFit	5m Non-KS (WOP)	208/230/1/60	
14	43025306		1	Cable EasyFit	Kabel EasyFit	Cable EasyFit	5m KS (WOP)	208/230/1/60	
15	11120518	A	1	O-ring	O-ring	Joint torique	Ø25x2.5 DIN3771		
16	62675029		1	Upper lid	Obererdeckel	Couvercle supérieur		KS (KS as Std.)	
17	11210254		3	Cylinder screw	Zylinderschraube	Vis à tête cylindrique	M5x12 DIN912		
18	11110169		1	Mechanical seal	Gleitringdichtung	Garniture mecanique	Ø12mm	LD1/12-GX	
19	41075042			Impeller	Lauftrad	Roue	Ø90/6 H14	MF 254	
19	41075041		1	Impeller	Lauftrad	Roue	Ø98/6 H14	MF 324	
19	41075039		1	Impeller	Lauftrad	Roue	Ø82/6 H12	SE 4	
20	11470026		1	Washer	Scheibe	Rondelle	A6.4 DIN9021	1.4401	
21	11210254		1	Cylinder screw	Zylinderschraube	Vis à tête cylindrique	M5x12 DIN912		
22	11400049		2	Hexagonal nut	Sechskantmutter	Ecrou hexagonal	M5 DIN985		
25	11370064		1	Self-tapping screw	Zyl.Blechschaube	Vis	Ø4.0x22 WN1441		
26	41420542		1	KS Bracket	KS Haltewinkel	KS butée flotteur			
27	44125005		1	KS Rod	KS Haltestange	KS support flotteur			
28	43075090		1	Seal	Dichtung	Joint			
29	42005005		1	Handle	Handgriff	Poignee			
30	11400049		4	Hexagonal nut	Sechskantmutter	Ecrou hexagonal	M5 DIN985		
	61195086	A	1	Seal kit	Dichtungssatz	Jeu de joint complet			



SANIMAX VERSION



KS BRACKET MUST BE
POSITIONED AS LOW AS POSSIBLE

C	SPARE PARTS LIST / ERSATZTEILLISTE LIST DE PIÈCES DE RECHANGE	MF-S 13.333 -04
	MF 254-324	CAD CODE: L/ANSI3333
		DATE/NAME: B.McDonald/19.12.01
		Product Center: IEM Technical changes reserved Änderungen vorbehalten Sous réserve de modification