

SULZER

Massblatt XFP 201G-CB2 Nassinstallation
 Dimension sheet Twin Guide Rail Installation
 Dimensioni Installazione sommersa
 Hoja de dimensiones instalación sumergida
 Plan d'encombrement Installation noyee

No: AN-M.22.605 - 04
 Drawn: 05/08/10 D.WheLAN
 Issue Date: 09/05/2013
 Änderungen vorbehalten
 Technical changes reserved
 Con riserva di modifiche
 Con reserva de modificaciones
 Sous réserve de modification

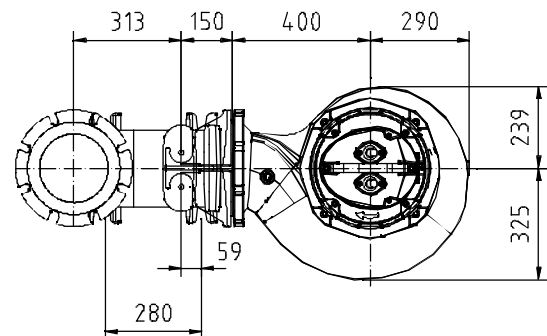
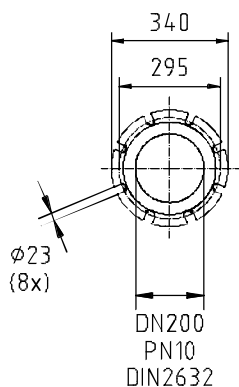
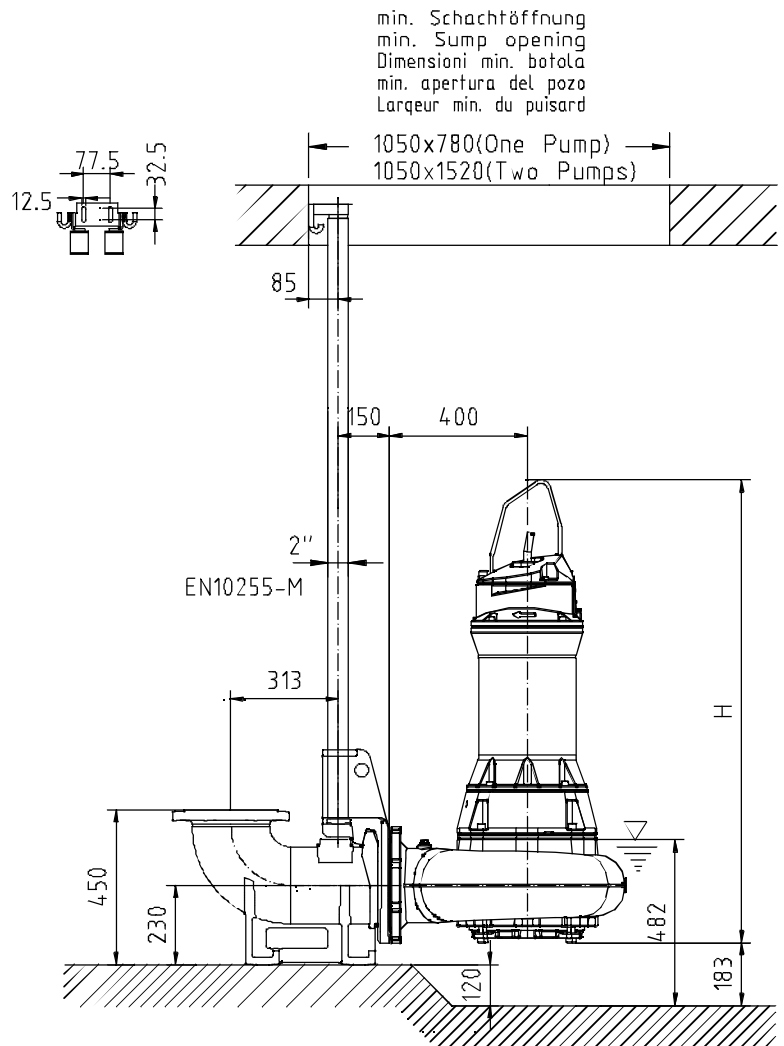
50 Hz**S.I.**

Typ Type Tipo	Gewicht Weight Poids N.C.J. (kg)	Gewicht Weight Poids W.C.J. (kg)	Height H (mm)
PE 90/6	407	457	1348
PE 110/6	407	457	1348
PE 140/6	427	467	1348

60 Hz

Typ Type Tipo	Gewicht Weight Poids N.C.J. (kg)	Gewicht Weight Poids W.C.J. (kg)	Height H (mm)
PE 130/6	410	457	1348
PE 160/6	427	467	1348
PE 200/6	480	527	1388
PE 120/8	420	467	1348

N.C.J. = No Cooling Jacket
 W.C.J. = With Cooling Jacket



Gewicht: Beinhaltet Pumpe, Halterung (Fussstück) und Kabel (50 Hz = 10 m; 60 Hz = 15 m)
 Weight: includes pump, slider bracket and cable (50 Hz = 10 m; 60 Hz = 15 m)
 Peso: include pompa, pezzo intermedio a cavo (50 Hz = 10 m; 60 Hz = 15 m)
 Peso: Incluye bomba, soporte deslizante y cable (50 Hz = 10 m; 60 Hz = 15 m)
 Poids : incluant la pompe, le coulisseau et le câble (50 Hz = 10 m; 60 Hz = 15 m)

Guss-Allgemeintoleranzen nach DIN1680 - GTB16
 General tolerances for castings in acc. to DIN1680-GTB16
 Tolleranze generali delle fusioni secondo DIN1680-GTB16
 Tolerancias generales para la fundición seg. de DIN1680-GTB16
 Tolérance générale de la fonderie selon DIN1680-GTB16

SULZER

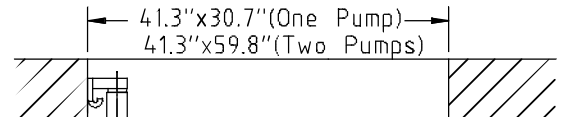
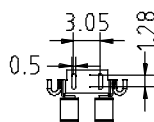
Massblatt XFP 201G-CB2 Nassinstallation
 Dimension sheet Twin Guide Rail Installation
 Dimensioni Installazione sommersa
 Hoja de dimensiones instalación sumergida
 Plan d'encombrement Installation noyee

No: AN-M.22.605 - 04
 Drawn: 05/08/10 D.WheLAN
 Issue Date: 09/05/2013
 Änderungen vorbehalten
 Technical changes reserved
 Con riserva di modifiche
 Con reserva de modificaciones
 Sous réserve de modification

50 Hz**U.S.**

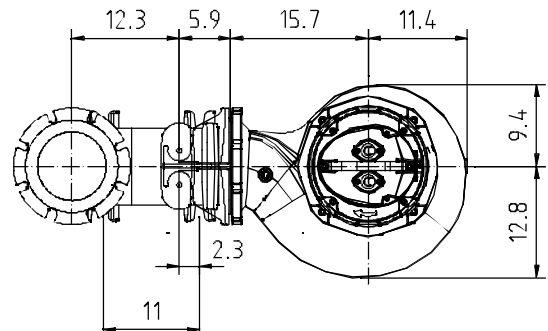
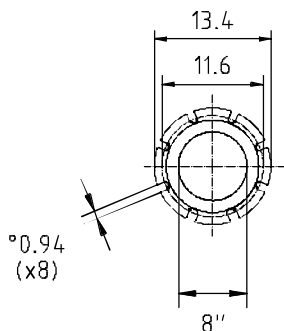
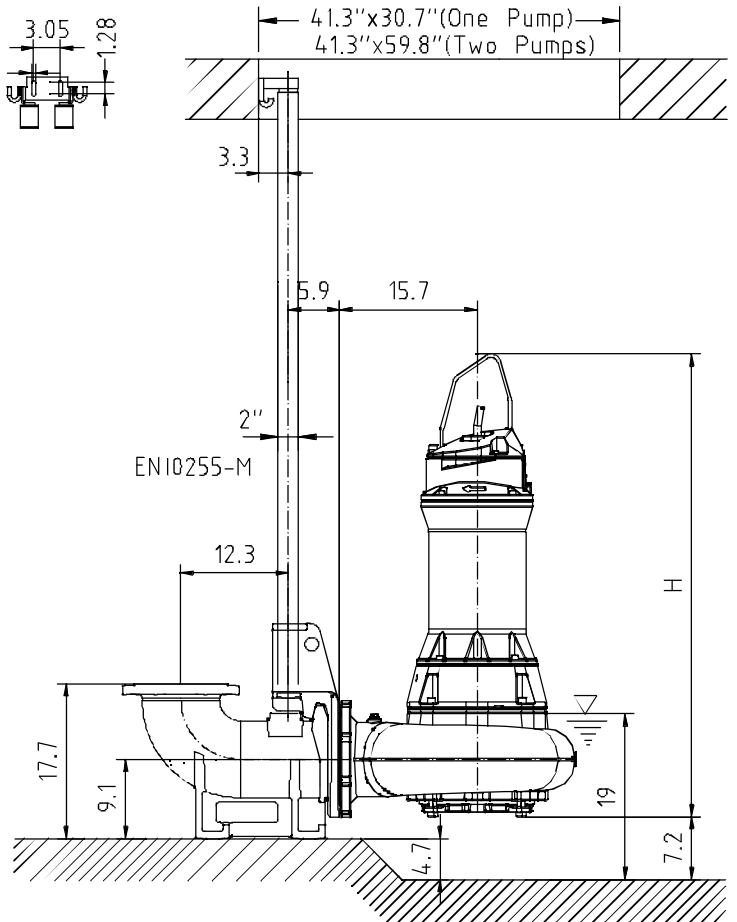
Typ Type Tipo	Gewicht Weight Poids N.C.J. (lbs)	Gewicht Weight Poids W.C.J. (lbs)	Height H (")
PE 90/6	898	1008	53.1
PE 110/6	898	1008	53.1
PE 140/6	942	1030	53.1

min. Schachttöffnung
 min. Sump opening
 Dimensioni min. botola
 min. apertura del pozo
 Largeur min. du puisard

**60 Hz**

Typ Type Tipo	Gewicht Weight Poids N.C.J. (lbs)	Gewicht Weight Poids W.C.J. (lbs)	Height H (")
PE 130/6	904	1008	53.1
PE 160/6	942	1030	53.1
PE 200/6	1058	1162	54.6
PE 120/8	926	1030	53.1

N.C.J. = No Cooling Jacket
 W.C.J. = With Cooling Jacket



Gewicht: Beinhaltet Pumpe, Halterung (Fussstück) und Kabel (50 Hz = 10 m; 60 Hz = 15 m)
 Weight: includes pump, slider bracket and cable (50 Hz = 10 m; 60 Hz = 15 m)
 Peso: include pompa, pezzo intermedio a cavo (50 Hz = 10 m; 60 Hz = 15 m)
 Peso: Incluye bomba, soporte deslizante y cable (50 Hz = 10 m; 60 Hz = 15 m)
 Poids : incluant la pompe, le coulisseau et le câble (50 Hz = 10 m; 60 Hz = 15 m)

Guss-Allgemeintoleranzen nach DIN1680 - GTB16
 General tolerances for castings in acc. to DIN1680-GTB16
 Tolleranze generali delle fusioni secondo DIN1680-GTB16
 Tolerancias generales para la fundición seg. de DIN1680-GTB16
 Tolérance générale de la fonderie selon DIN1680-GTB16