

**SULZER**

Massblatt XFP 101G-VX Nassinstallation

Dimension sheet DRY-WELL Installation

Dimensioni Installazione a secco

Hoja de dimensiones instalación en seco

Plan d'encombrement Installation à sec

No: AN-M.22.646 - 05

Drawn: 23/11/10 D.Whelan

Issue Date: 09/05/2013

Änderungen vorbehalten

Technical changes reserved

Con riserva di modifiche

Con reserva de modificaciones

Sous réserve de modification

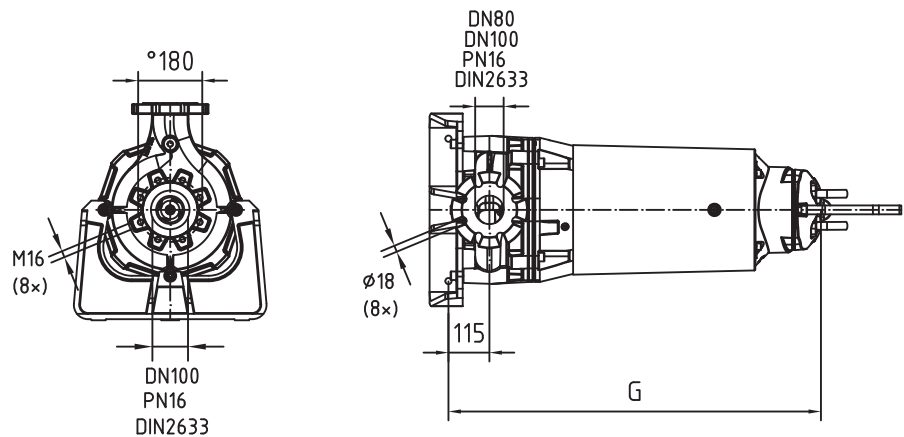
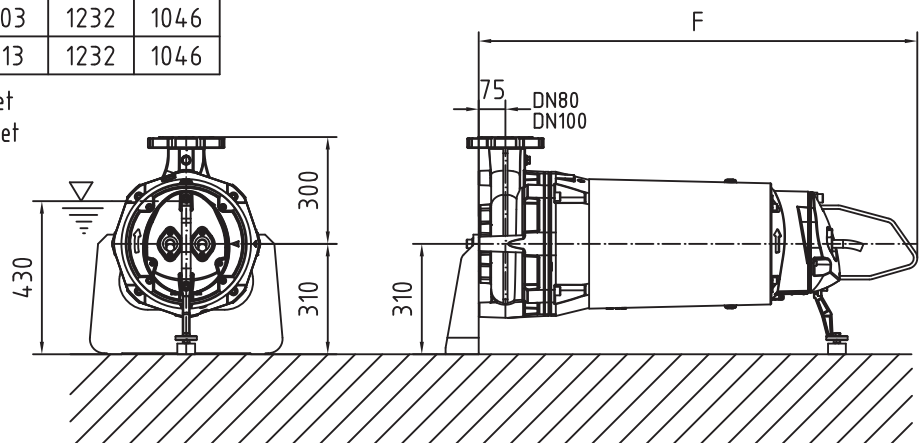
**50 Hz****S.I.**

Typ Type Tipo	Gewicht Weight Poids N.C.J. (kg)	Gewicht Weight Poids W.C.J. (kg)	F (mm)	G (mm)
PE 150/2	389	389	1232	1046
PE 185/2	389	389	1232	1046
PE 250/2	409	409	1232	1046

**60 Hz**

Typ Type Tipo	Gewicht Weight Poids N.C.J. (kg)	Gewicht Weight Poids W.C.J. (kg)	F (mm)	G (mm)
PE 230/2	363	403	1232	1046
PE 300/2	373	413	1232	1046

N.C.J. = No Cooling Jacket  
W.C.J. = With Cooling Jacket



Gewicht: Beinhaltet Pumpe, horizontal Stützen und Kabel (50 Hz = 10 m; 60 Hz = 15 m)  
Weight: includes pump, horizontal supports and cable (50 Hz = 10 m; 60 Hz = 15 m)  
Peso: include pompa, supporti orizzontali e cavo (50 Hz = 10 m; 60 Hz = 15 m)  
Peso: Incluye bomba, soporte horizontal y cable (50 Hz = 10 m; 60 Hz = 15 m)  
Poids : incluant la pompe, les supports horizontaux et le cable (50 Hz = 10 m; 60 Hz = 15 m)

Guss-Allgemeintoleranzen nach DIN1680 - GTB16  
General tolerances for castings in acc. to DIN1680-GTB16  
Tolleranze generali delle fusioni secondo DIN1680-GTB16  
Tolerancias generales para la fundición seg. de DIN1680-GTB16  
Tolérance générale de la fonderie selon DIN1680-GTB16

**SULZER**

Massblatt XFP 101G-VX Nassinstallation

Dimension sheet DRY-WELL Installation

Dimensioni Installazione a secco

Hoja de dimensiones instalación en seco

Plan d'encombrement Installation à sec

No: AN-M.22.646 - 05

Drawn: 23/11/10 D.Whelan

Issue Date: 09/05/2013

Änderungen vorbehalten

Technical changes reserved

Con riserva di modifiche

Con reserva de modificaciones

Sous réserve de modification

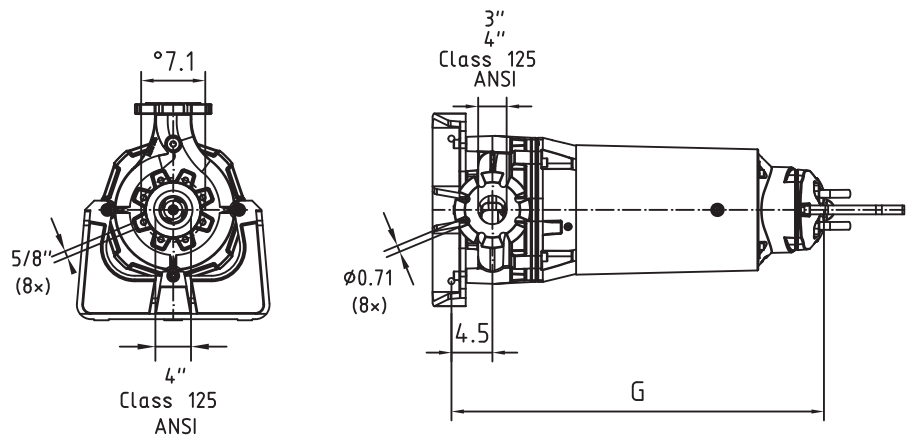
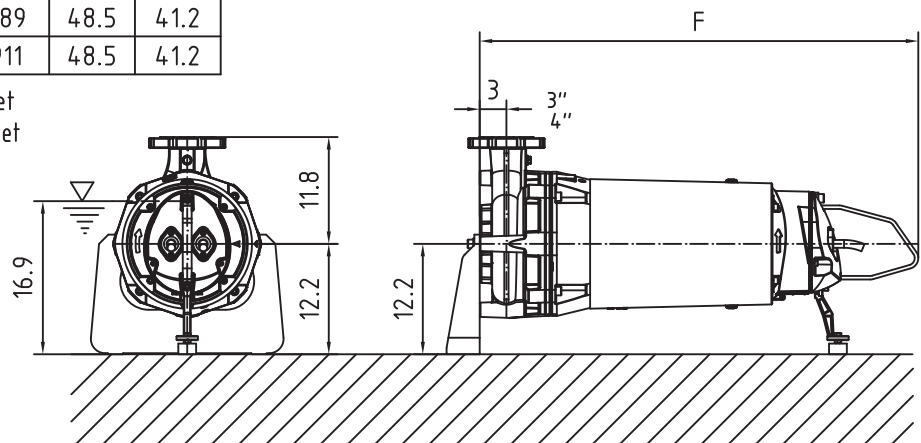
**50 Hz**

Typ Type Tipo	Gewicht Weight Poids N.C.J. (lbs)	Gewicht Weight Poids W.C.J. (lbs)	F (")	G (")
PE 150/2	858	858	48.5	41.2
PE 185/2	858	858	48.5	41.2
PE 250/2	902	902	48.5	41.2

**U.S.****60 Hz**

Typ Type Tipo	Gewicht Weight Poids N.C.J. (lbs)	Gewicht Weight Poids W.C.J. (lbs)	F (")	G (")
PE 230/2	801	889	48.5	41.2
PE 300/2	823	911	48.5	41.2

N.C.J. = No Cooling Jacket  
W.C.J. = With Cooling Jacket



Gewicht: Beinhaltet Pumpe, horizontal Stützen und Kabel (50 Hz = 10 m; 60 Hz = 15 m)  
Weight: includes pump, horizontal supports and cable (50 Hz = 10 m; 60 Hz = 15 m)  
Peso: include pompa, supporti orizzontali e cavo (50 Hz = 10 m; 60 Hz = 15 m)  
Peso: Incluye bomba, soporte horizontal y cable (50 Hz = 10 m; 60 Hz = 15 m)  
Poids : incluant la pompe, les supports horizontaux et le cable (50 Hz = 10 m; 60 Hz = 15 m)

Guss-Allgemeintoleranzen nach DIN1680 - GTB16  
General tolerances for castings in acc. to DIN1680-GTB16  
Tolleranze generali delle fusioni secondo DIN1680-GTB16  
Tolerancias generales para la fundición seg. de DIN1680-GTB16  
Tolérance générale de la fonderie selon DIN1680-GTB16