

# HST™ 2500 Turbocompressor

# SULZER

A highly efficient and reliable single-stage centrifugal compressor for the provision of oil-free, low-pressure air.

## Construction

### High-speed electric motor

A vertically mounted high-frequency electric motor for variable speed operation. The motor is air-cooled by an integrated shaft mounted fan and the windings are protected by Pt100-sensors monitored by the local control system.

### Air end

The impeller has been designed to optimize performance and is machined from a solid piece of high-strength aluminum alloy. The volute and other main components are made from cast aluminum. A non-contact seal between air-end and motor minimizes losses to maintain high efficiency.

### Variable frequency drive

Flow control is provided by a built-in variable frequency drive which also accommodates variations in outlet pressure and ambient inlet conditions. The variable frequency drive's soft-start facility eliminates peak starting currents.

### Active magnetic bearings

Two radial bearings and two axial bearings support the rotor. The magnetic bearing controller uses data provided by multiple sensors to continuously manage the position of the rotor.

### Blow-off valve

The blow-off valve is mounted on the compressor assembly with attenuation provided by an external silencer.

### Acoustic enclosure

The enclosure provides protection for the electrical and mechanical components and provides efficient noise attenuation for the machine. The enclosure is constructed from zinc-plated steel. It is suitable for indoor use (IP 33D).



## Compressor Control

### Local control

The built-in local Human-Machine-Interface (HMI) provides control and monitoring for the safe and efficient operation of the machine. Flow may be controlled directly by the operator, or alternatively, the turbocompressor can follow a given reference value. The local HMI uses a keypad and text display to provide access to the operator.

### Connections

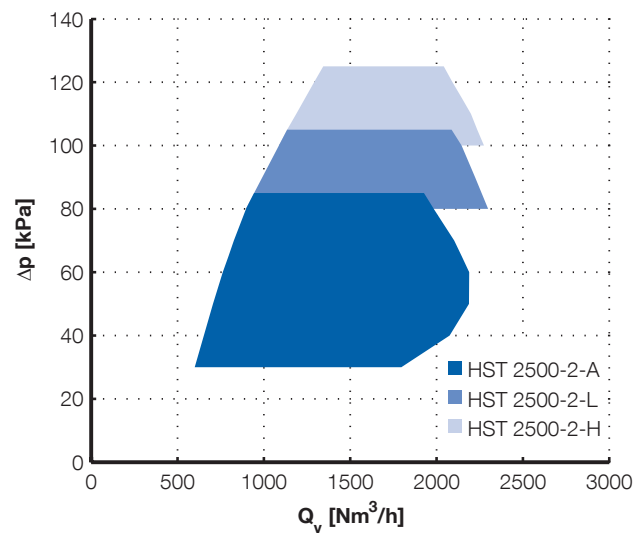
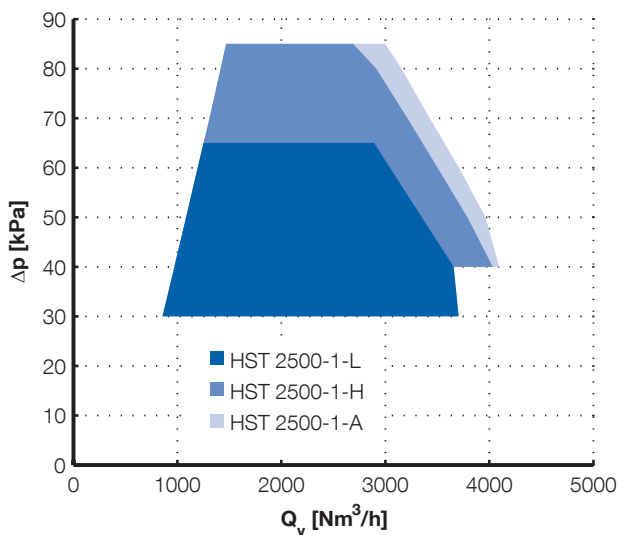
Analog and digital control and monitoring connections are built in. Fieldbus connections such as Profibus, Profinet, Modbus RTU, and Modbus TCP are available as options.

### Remote connections

A secure connection facilitating service and monitoring can be ordered as an option.

## Options

Various options for handling special requirements regarding e.g., temperature, dusty environments and locations with high moisture can be selected.



## Accessories

Required accessories for installation such as flexible joints, valves, silencers, and air filters are available from Sulzer.

## Performance Testing

Compressor performance tests are performed on every machine manufactured and certificates issued to confirm compliance. The tests are carried out at the Sulzer factory test facility. Performance is guaranteed with a manufacturing tolerance of  $\pm 2\%$  and a measurement tolerance according to ISO 5389. Optionally tests can be performed in full accordance with ISO 5389 and/or witnessed by the client.

## Certification and Standards

The product is CE certified and complies with:

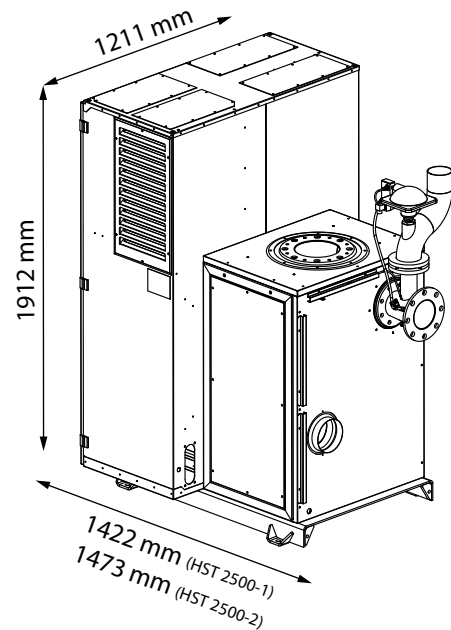
- Machinery Directive (MD), 2006/42/EC, 2009/127/EC
- Low Voltage Directive (LVD), 2006/95/EC
- Electromagnetic Compatibility (EMCD), 2004/108/EC

The product is designed and manufactured in accordance with EN 61800-3 standard and intended for use in second environment locations, e.g., in industrial areas.

## Installation Conditions <sup>(1)</sup>

Altitude	
Maximum altitude	2500 m above sea level
Air quality	
Permitted chemical vapors	IEC 60721-3-3 class 3C3
Ambient conditions	
Ambient temperature range <sup>(1)</sup>	Min. -10 °C, max. +45 °C
Ambient relative humidity	< 95 %, non-condensing, non-corrosive, no dripping water
Inlet conditions	
Air temperature range for ducted process air inlet	Min. -30 °C, max. +50 °C

<sup>(1)</sup> Sulzer may approve applications outside these criteria.



## Compressor Data

	HST 2500-	1-L	1-H	1-A	2-A	2-L	2-H
Air flow range [Nm <sup>3</sup> /h]		900-3700	1000-3900	1000-4000	600-2100	900-2200	1100-2200
Pressure rise [kPa]		30-65	40-85	40-85	30-85	80-105	100-125
Noise level [dB]		66 <sup>(3)</sup>	69 <sup>(3)</sup>	69 <sup>(3)</sup>	72 <sup>(4)</sup>	74 <sup>(4)</sup>	72 <sup>(4)</sup>
Input power [kW]		69	83	90	69	90	100
Power supply [V]		380-690	380-690	380-690	380-690	380-690	380-690
Input power frequency [Hz]		50/60	50/60	50/60	50/60	50/60	50/60
400 V	Max. input current [A] <sup>(2)</sup>	107	129	140	107	140	156
	Cable size [mm <sup>2</sup> ]	3x50+25	3x50+25	3x70+35	3x50+25	3x70+35	3x70+35
	Fuse size [A]	125	160	160	125	160	160
500 V	Max. input current [A] <sup>(2)</sup>	86	103	112	86	112	124
	Cable size [mm <sup>2</sup> ]	3x35+16	3x50+25	3x50+25	3x35+16	3x50+25	3x50+25
	Fuse size [A]	100	125	125	100	125	160
690 V	Max. input current [A] <sup>(2)</sup>	72	86		72		
	Cable size [mm <sup>2</sup> ]	3x35+16	3x50+25		3x35+16		
	Fuse size [A]	100	100		100		
Auxiliary current [A]		10	10	10	10	10	10
Auxiliary supply [V]		360-550	360-550	360-550	360-550	360-550	360-550
Weight [kg]		800	800	800	800	800	800

<sup>(2)</sup> The maximum input current is calculated using the nominal voltage. The cable and fuse sizes are recommendations and based on the supply current and cables rated to 70 °C.

<sup>(3)</sup> The noise values are presented with Outlet Cone Insulation (accessory OCI).

<sup>(4)</sup> The noise values are presented without Outlet Cone Insulation (accessory OCI).

www.sulzer.com

SPP id: 2.1.2017 / en / e10440 / 1, Copyright © Sulzer Ltd 2017

This document does not provide a warranty or guarantee of any kind. Please contact us for a description of the warranties and guarantees offered with our products. Directions for use and safety will be given separately. All information herein is subject to change without notice.