

**OKI aerator mixer**



## OKI aerator mixer

The submersible OKI 1000 and 2000 aerator mixers are heavy-duty devices suitable for applications in the continuous and/or intermittent aeration of both municipal and industrial wastewater. It can withstand many harsh types of wastewater with no performance degradation and will tackle intermittent process problems.

### Main applications

The OKI aerator mixer range has been designed to meet the process requirements in versatile municipal and industrial applications:

- Activated sludge basins and sequencing batch reactor (SBR), membrane bio reactors (MBR), and moving bed biofilm reactor (MBBR), providing aeration and mixing in a single unit for degrading the biomass
- Mixing and equalization basins, providing uniform wastewater loading to downstream processes and eliminating odors
- Sludge storage and stabilization, providing odor control as well as oxidation of sludge
- Flotation of oil and grease
- Additional aeration
- Plants with chemical and petrochemical effluents
- Heavily-loaded plants
- Deep basins

### Key customer benefits

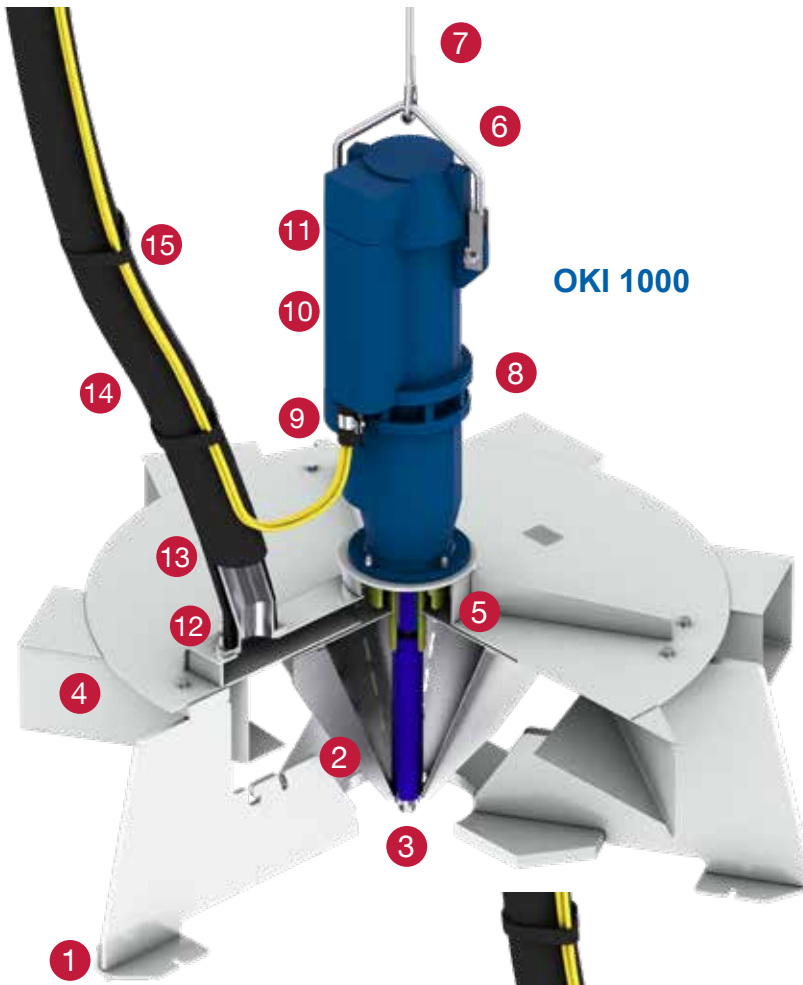
The OKI aerator mixer range has been designed using our long experience and in-depth knowledge of how to maximize value for our customers.

Key benefits include:

- High process efficiency and high standard oxygen transfer rate (SOTR)
- Adjustable oxygen transfer
- Superb pumping capacity
- Designed for non-clogging operation
- Good corrosion resistance
- Lifetime sustainable high-aeration efficiency
- Especially suited for heavy-duty continuous and intermittent processes
- Easy and quick installation without emptying the tank
- Lifiable and selfstanding, making it easy to change the plant configuration—no need to empty the tank
- Low maintenance need (maintenance interval three years)
- Suitable for all usual tank depths, especially deep tanks which no longer require air cooling
- Complete delivery including suitable air hose, lifting cable and electrical cables making installation safe and easy
- Can run as an aerator and/or mixer according to process requirements

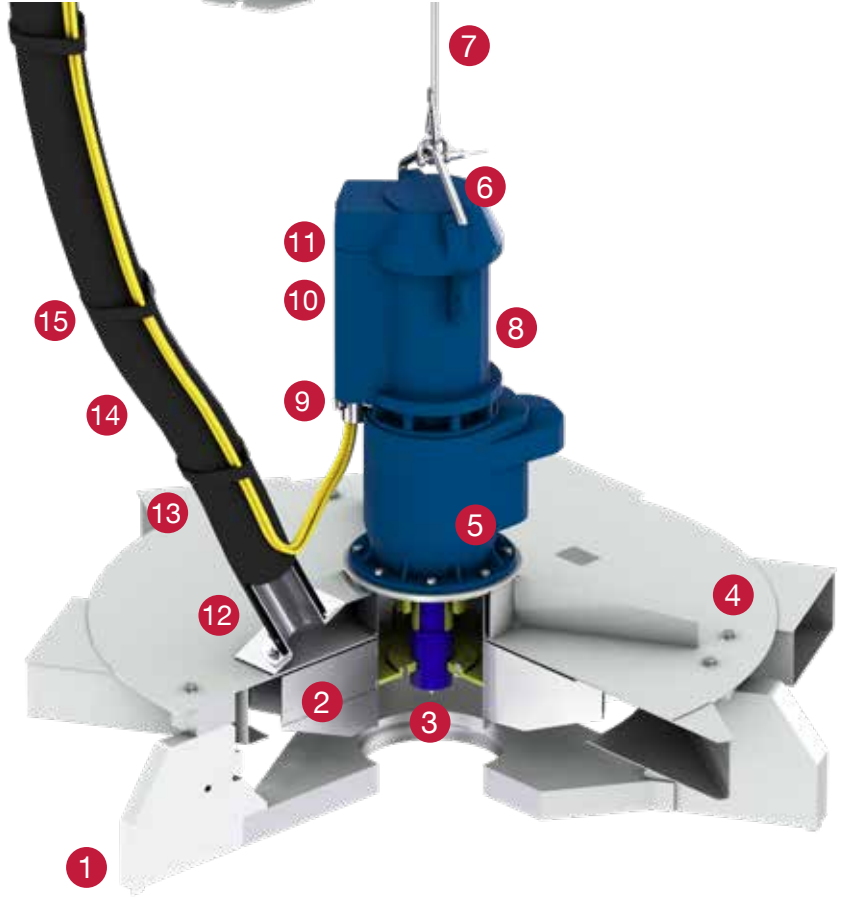
# OKI 1000 and 2000 aerator mixers

## Components and materials



OKI 1000

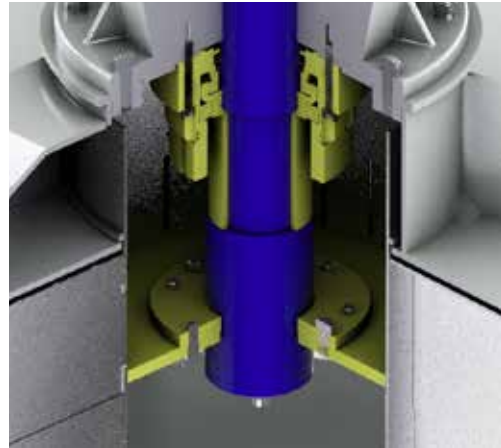
	Description	Material
1	Frame	Fe37B, epoxy-painted
2	Rotor	AISI 316
3	Rotor screw	AISI 316
4	Stator and stator ducts	AISI 316
5	Heavy-duty shaft seal	AISI 316
6	Lifting bail	AISI 316
7	Lifting cable	AISI 316
8	Drive unit (garmotor)	Cast iron, epoxy-painted
9	Cable support	AISI 316
10	Cables	Neoprene rubber sheath
11	Airlock	Resin
12	Hose flange (with seal)	AISI 316
13	Hose clamps	AISI 316
14	Process air hose	EPDM
15	Hose straps	EPDM



OKI 2000

## Shaft seal

- Specially designed for OKI aerator mixer
- Heavy-duty mechanical labyrinth seal
- Superior reliability based on fourfold protection (four sealing barriers)



## Submersible garmotor

- Power range 5-37 kW / 7-49 hp
- Water-cooled
- Protection class IP68
- Motors are equipped with thermal switches
- Available for 50 and 60 Hz

Two-speed motors available for OKI 1070 and OKI 1090 series:

- aeration at high speed
- mixing without air at low speed

### Gearbox

- Two or three stage helical heavy-duty gearbox
- Oil-lubricated
- Low maintenance need

## Installation

OKI is delivered complete including suitable process air hose as well as lifting and electrical cables, making installation safe and easy. As such, OKI aerator mixer is a complete unit ready for quick and easy installation and connection without emptying the tank.

OKI aerator mixer is connected to a plant air manifold by an air distribution hose (process air hose).



# OKI aerator mixer



Oil and gas



Hydrocarbon processing



Power generation



Pulp, paper and board



General industry



Chemical process industry



Water and wastewater

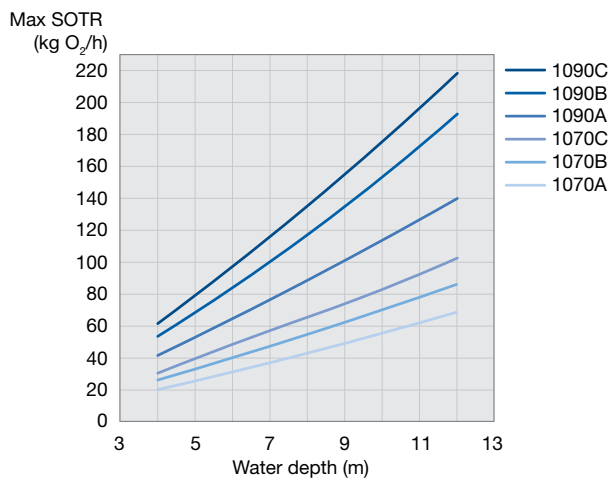
## Operating data

50 Hz		60 Hz
5-37 kW	Power range	7-49 hp
up to 60 m <sup>3</sup> /min	Air flow	up to 2'100 ft <sup>3</sup> /min
up to 410 kg O <sub>2</sub> /h	SOTR	up to 900 lb O <sub>2</sub> /h
up to 12 m	Operation depth	up to 40 ft
up to 120°C	Air temperature without additional cooling	up to 248°F

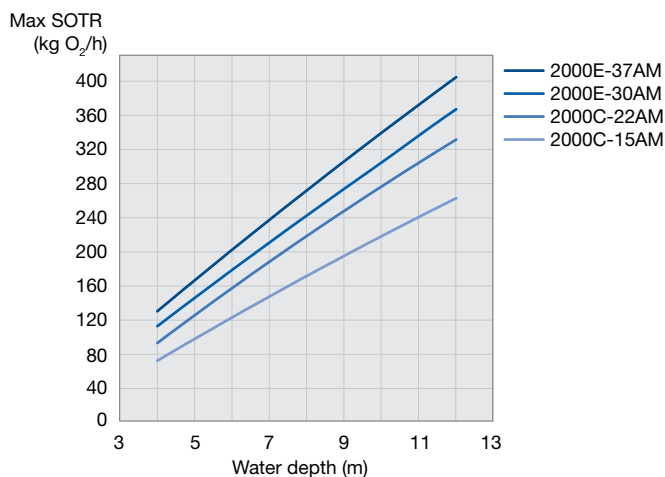
## Performance ranges

For more than 12 m / 40 ft operation depth, please contact your local sales representative.

### OKI1000



### OKI2000





[www.sulzer.com](http://www.sulzer.com)

E10587 en 11.2018, Copyright © Sulzer Ltd 2018

This brochure is a general presentation. It does not provide any warranty or guarantee of any kind. Please, contact us for a description of the warranties and guarantees offered with our products. Directions for use and safety will be given separately. All information herein is subject to change without notice.