

## AHLSTAR™ with Sulzer Ejector improves sump pumping in a cardboard mill

---

A cardboard mill customer suffered from regular pump breakdowns in the fiber line effluent sump. Sulzer replaced the two existing submersible pumps by one non-clogging AHLSTAR NPP42-150 pump equipped with a Sulzer Ejector. After more than two years in operation, there has been no disturbance.



# “The AHLSTAR pump with a Sulzer Ejector is the prime solution!”

Fabrice Martin, Business Development Manager

## The challenge

This European mill produces 240'000 tons of cardboard from wastepaper per year. The cardboard is used to make plasterboard and for packaging. Various effluents from the mill are collected in different steps of the process and then treated in a modern, integrated wastewater treatment plant.

The main effluents from the fiber line process are collected in a large, 2.5 m deep sump prior to being pumped further through rotary drum screens and sent to the wastewater treatment plant. The liquids in the sump have varying characteristics and can be highly polluted with all kinds of solid particles (fibers, clips, tapes, ropes, etc.).

The initially installed sump pumps failed frequently. The two non-Sulzer submersible pumps were regularly clogged, disturbing the whole process and generating high repair costs. The customer decided to look for a more reliable pumping system and asked Sulzer for help.

## The solution

After thorough discussions, the client and Sulzer agreed on a radical alternative: one dry-installed process pump with a complete priming system. An AHLSTAR NPP42-150 non-clogging pump unit with ejector soon replaced the failing submersible pumps. The installation was fast and easy, and only minor piping modifications were needed.

The NPP42-150 pump unit is located above the liquid level in the sump. At each pump start, a fully automated priming is done in a few seconds with the Sulzer Ejector package. The NPP42-150 pump has been running smoothly for more than two years now, without any blockage. One of the initial submersible pumps was removed from the sump and the other one is kept as standby, only being used from time to time in parallel with the NPP42-150, when a maximum drainage flow is required.

## Customer benefit

The AHLSTAR non-clogging NPP42-150 with vortex impeller is the right pump for sump applications where liquids are heavily polluted with debris and other big solid particles.

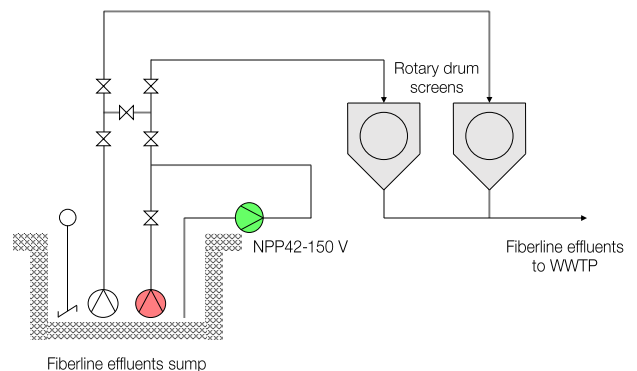
The previously installed submersible pumps were of cast iron, whereas all the wetted parts of the NPP42-150 pump are of duplex stainless steel. This material is ideal for liquids which can be both corrosive and abrasive. It ensures a much longer pump service life with minimum wear of parts.

The NPP42-150 pump unit is above the sump liquid level, and this makes all maintenance operations rapid and safe.

Several other AHLSTAR process pumps are installed in the cardboard mill. The inventory control of spares is therefore easy.

The Sulzer Ejector is an inexpensive and simple device powered by compressed air from the mill network. It allows full priming of the inlet pipe and pump in a few seconds. After priming, the ejector is stopped, and the NPP42-150 pump starts running. No compressed air is required during normal pumping operation.

The Sulzer Ejector was delivered with an automation package that makes the whole priming operation extremely simple.



Sump piping diagram

## Product data

AHLSTAR non-clogging pump unit for wastewater sump  
(pit depth 2.5 m)

### AHLSTAR pump NPP42-150 V

**Flow** 350 m<sup>3</sup>/h

**Head** 20 m

**Speed** 1'000 rpm

**Motor power** 55 kW

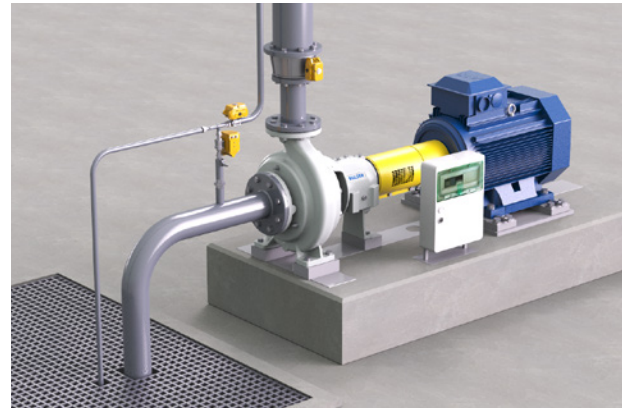
**Impeller** Vortex – 340 mm

**Max. solids passage** 80 mm

**NPSHr** 5 mCL

Complete Sulzer Ejector package including:

- Ejector
- Valves with actuators for motive air and ejection suction pipe
- Level control switch
- Control box with logic



Plasterboard is made from cardboard sheets glued with a gypsum mixture.

Read our ejector brochure  
for further information.

For any inquiries please contact

[fabrice.martin@sulzer.com](mailto:fabrice.martin@sulzer.com)

[sulzer.com](http://sulzer.com)

A10452 en 9.2024, Copyright © Sulzer Ltd 2024

This case study is a general product presentation. It does not provide a warranty or guarantee of any kind. Please contact us for a description of the warranties and guarantees offered with our products. Directions for use and safety will be given separately. All information herein is subject to change without notice.