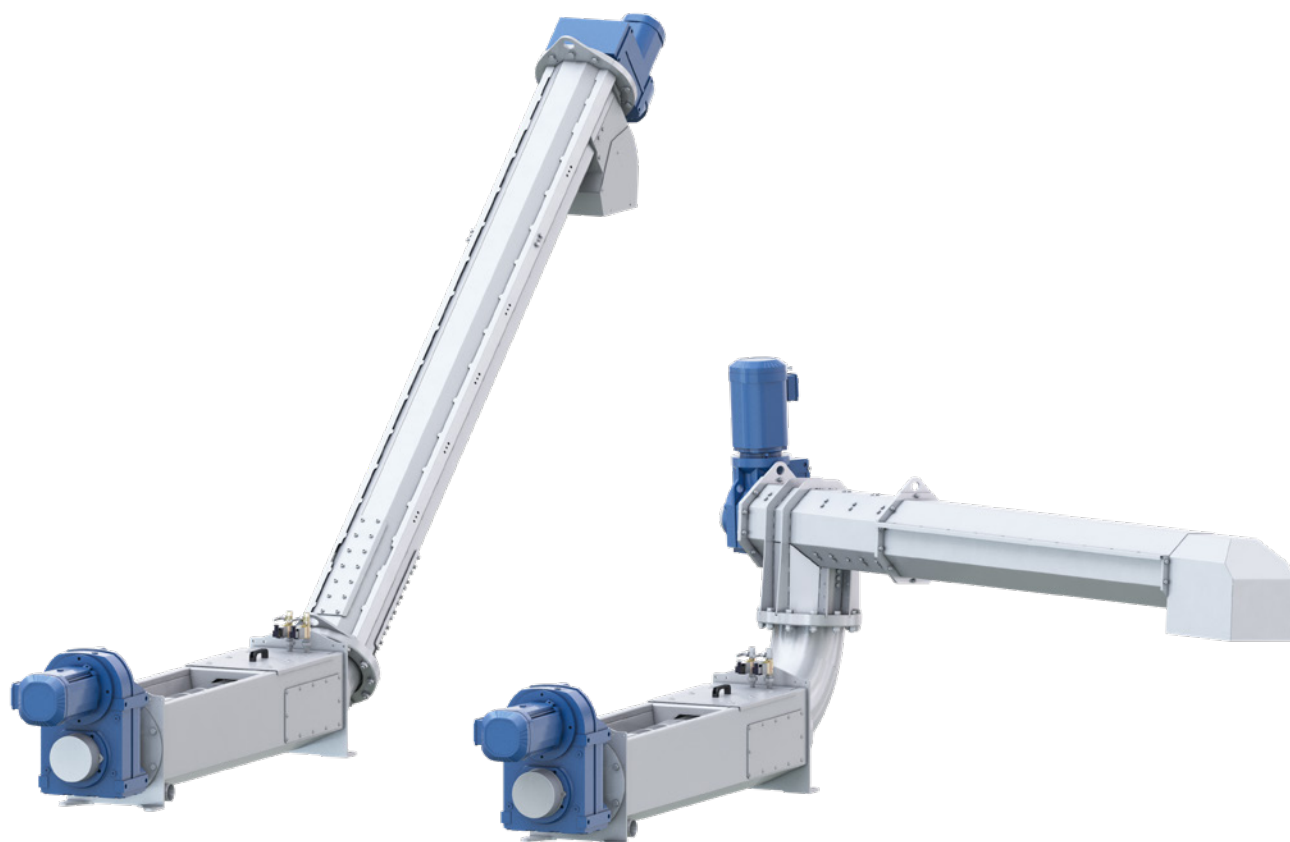


# MEVAPRESS screenings treatment solutions



# MAIN INDUSTRIES AND APPLICATIONS

MevaPress screenings handling solutions from Nordic Water are designed to achieve the most reliable screenings handling system on the market.

The MevaPress range of wastewater processing equipment is designed to process screenings such as toilet paper, wipes etc. Treating the screenings by washing and compacting, the organic contents will be dissolved from fibrous material and returned to the biological process to extend biogas production. The decreased organic content and the increased dry solids enable treated screenings to be a source for incineration, generating thermal energy for use in various processes.

MevaPress SWP and the MevaPress CPS work together to maximize dry solids content and to minimize volume, which reduce the cost of screenings disposal. Combined with a MevaScreen solution, they provide excellent primary treatment for wastewater plants:

- Wastewater screenings treatment
- Meat processing
- Poultry processing
- Feather dewatering
- Pulp and paper
- Tanneries
- Breweries

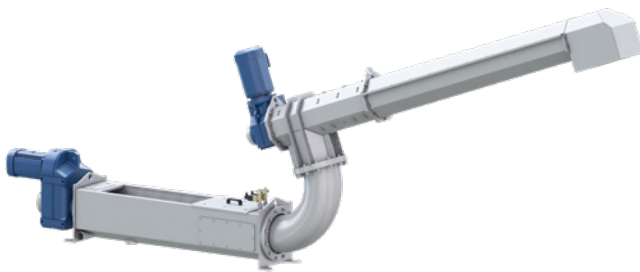


# HOW MEVAPRESS WORKS

MevaPress SWP delivers washing and dewatering of screenings in a compact and cost-effective package. Combined with MevaPress CPS, the system can achieve a dry solids content of 45-60%. It is also possible to specify a long conveyor section to reach storage skips or hoppers for an efficient transport process.

The high counter pressure offered by the MevaPress CPS ensures an optimized retention time in the press zone, which provides a greater dewatering effect. This reduces the organic content of the screenings, an important factor when it comes to disposal.

To ensure operators can achieve maximum capacity, the MevaPress CPS series has a wide range of sizes. In fact, this system currently offers the largest capacity of any counter screw equipment on the market.



**SWP/CPS-X**

**45-60% DS**

---



**SWP/CPS**

**45-60% DS**

---



**SWP/discharge pipe**

**35-45% DS**

---

# FEATURES AND BENEFITS MEVAPRESS SWP

## **Compact design**

Designed with a minimal installation footprint for the most efficient process.

## **High torque drive unit**

Makes it insensitive to peak loads and eliminates the need for reverse running.

## **Flexible shaft coupling**

Eliminates unnecessary stress to the drive unit providing reliable operation. The coupling also makes maintenance easier.

## **Efficient operation**

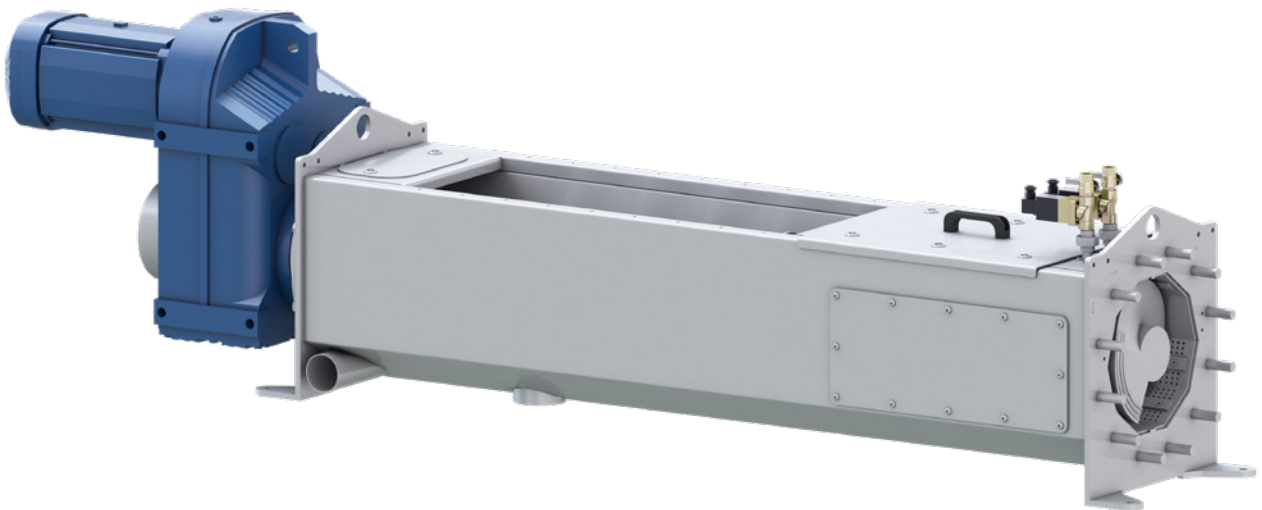
Well-proven press trough design ensures highly efficient screenings transportation, reducing operational time and minimizing wear.

## **Effortless maintenance**

Maintenance-friendly design with easy access to the wash zone.

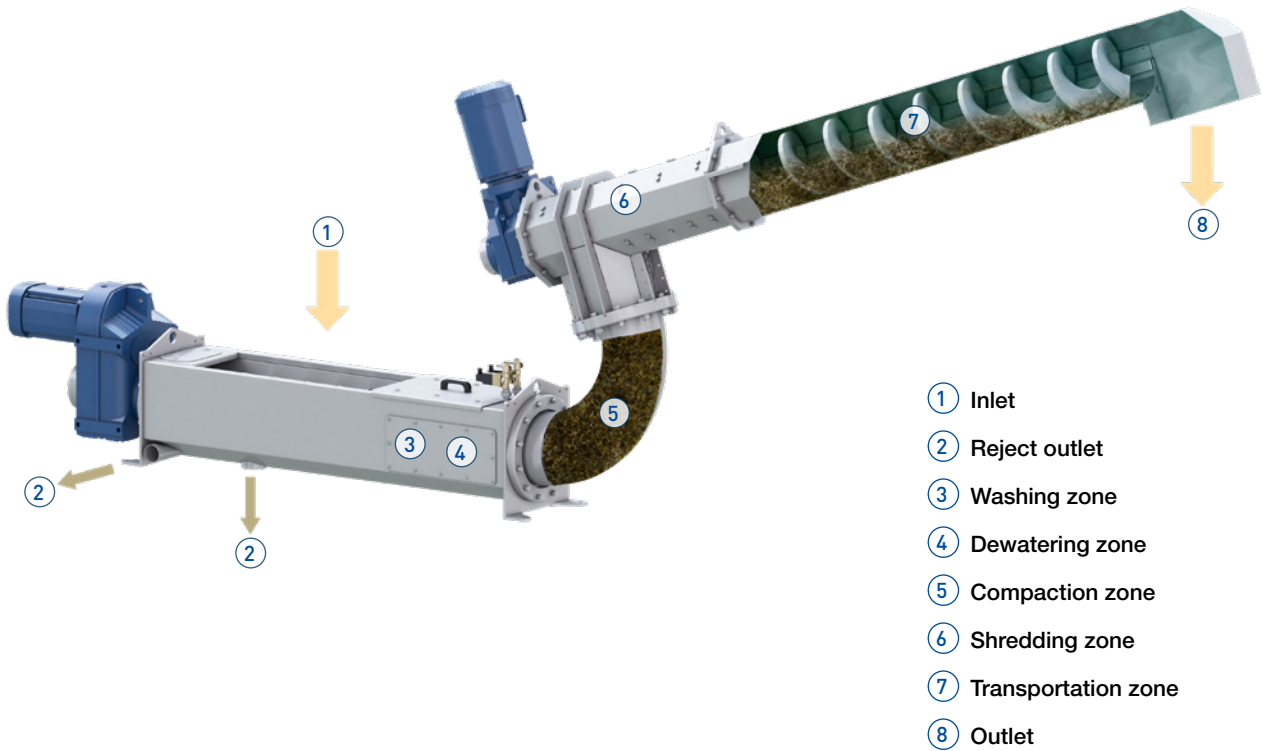
## **Improved performance**

- Excellent washing performance
- Integrated low-volume washing system for separating organic material. Less than 25 liters per wash cycle
- Dry solids content of 45-60% in combination with MevaPress CPS
- Transport capacity up to 8 m<sup>3</sup>/h



# HOW MEVAPRESS CPS/CPS-X WORKS

MevaPress CPS/CPS-X is designed to extend the retention time of the screenings and maximize the washing effect. The screw creates a counter pressure against the screenings to optimize the dewatering process making the shredded material optimal for incineration. Pressure within the screw is continuously adjusted to maximize the dry solids content.



# FEATURES AND BENEFITS MEVAPRESS CPS

## High discharge height

The shafted screw design allows discharge heights up to 7 meters with an inclination up to 85°, which is a far higher elevation than is possible with conventional press pipe systems.

## Long life wear liners

The inlet design eliminates radial stress to the wear liners providing reliable operation and minimizing the need for maintenance.

## Shredding screw tip

Generates smaller fractions that are easy to convey and distribute.

## Efficient operation

The operation is adapted and controlled to achieve an optimum dry shredded result, regardless of any daily variation in volume.

## Improved performance

- Volume reduction up to 80%
- Dry solids content of 45-60%
- Processing capacity up to 4.5 m<sup>3</sup>/h



# FEATURES AND BENEFITS MEVAPRESS CPS-X

## **Robust design**

Heavy-duty construction with reinforced pressure section.

## **Flexible shaft coupling**

Eliminates unnecessary stress to the drive unit, providing reliable operation and long service life.

## **Shredding screw**

Generates smaller fractions that are easy to convey and distribute.

## **Clog-free inlet and outlet design**

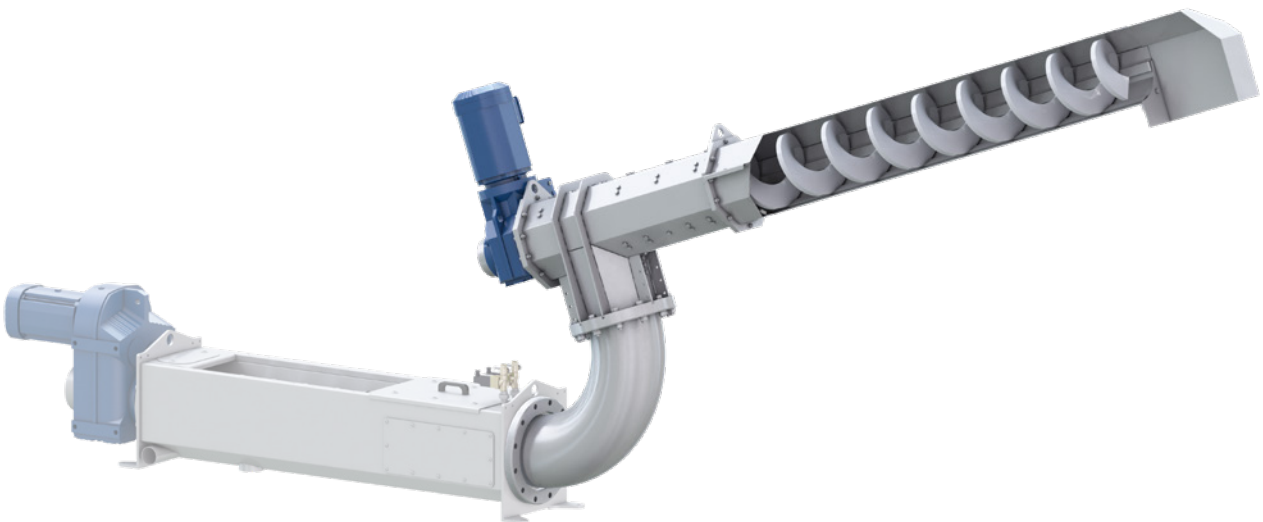
Eliminates the need for daily and weekly inspections.

## **Efficient operation**

The operation is adapted and controlled to achieve an optimum dry shredded result, regardless of any variation in daily volume.

## **Improved performance**

- Volume reduction up to 80%
- Dry solids content of 45-60%
- Transport capacity up to 8 m<sup>3</sup>/h





[www.nordicwater.com](http://www.nordicwater.com)

