

SULZER

Massblatt PIRANHA PE30/2 Nassinstallation
 Dimension sheet WET-WELL Installation
 Dimensioni Installazione sommersa
 Hoja de dimensiones instalación sumergida
 Plan d'encombrement Installation noyee

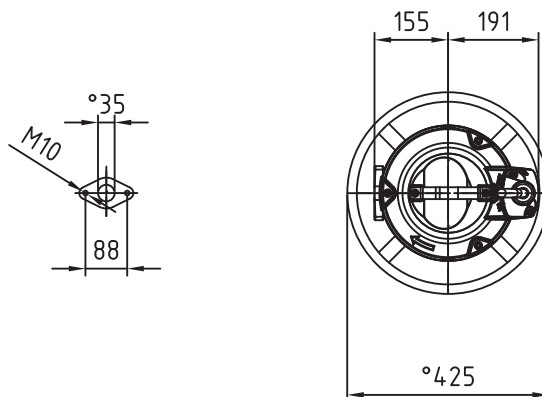
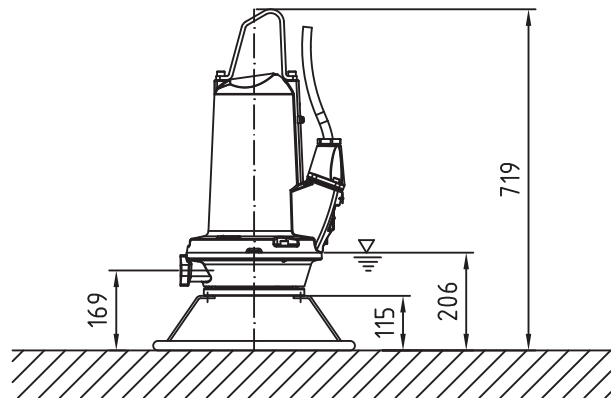
No: AN-M.04.040 -02
 Drawn: 18/04/11 D.Whelan
 Issue Date: 09/06/2013
 Änderungen vorbehalten
 Technical changes reserved
 Con riserva di modifiche
 Con reserva de modificaciones
 Sous réserve de modification

50 Hz

Typ Type Tipo	Gewicht Weight Poids Peso (kg)
PE 30/2	94

S.I.**60 Hz**

Typ Type Tipo	Gewicht Weight Poids Peso (kg)
PE 25/2W	94
PE 28/2	94
PE 35/2	94
PE 35/2W	94
PE 45/2	94
PE 45/2W	94



Gewicht: Beinhaltet Pumpe, Bodenstufgestell und Kabel (50Hz = 10m; 60Hz = 15m)
 Weight: includes pump, skirtbase and cable (50Hz = 10m; 60Hz = 15m)
 Peso: Incluye bomba, base soporte y cable (50Hz = 10m; 60Hz = 15m)
 Peso: include: pompa, base d'appoggio e cavo (50Hz = 10m; 60Hz = 15m)
 Poids: incluant la pompe, le trepied et le câble (50Hz = 10m; 60Hz = 15m)

Guss-Allgemeintoleranzen nach DIN1680 - GTB16
 General tolerances for castings in acc. to DIN1680-GTB16
 Tolleranze generali delle fusioni secondo DIN1680-GTB16
 Tolerancias generales para la fundición ség. de DIN1680-GTB16
 Tolérance générale de la fonderie selon DIN1680-GTB16

SULZER

Massblatt PIRANHA PE30/2 Nassinstallation
 Dimension sheet WET-WELL Installation
 Dimensioni Installazione sommersa
 Hoja de dimensiones instalación sumergida
 Plan d'encombrement Installation noyee

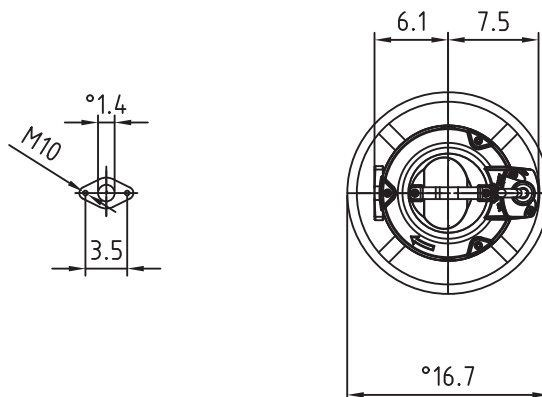
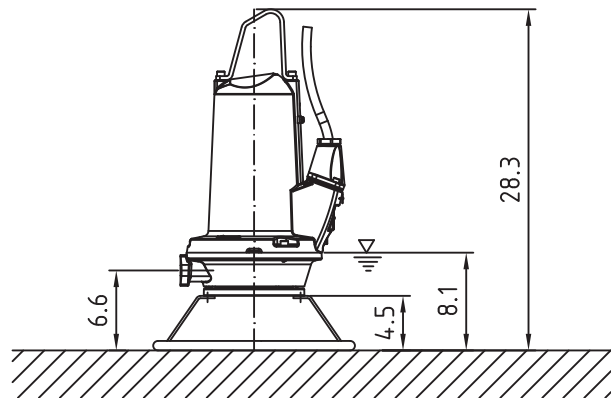
No: AN-M.04.040 -02
 Drawn: 18/04/11 D.Whelan
 Issue Date: 09/06/2013
 Änderungen vorbehalten
 Technical changes reserved
 Con riserva di modifiche
 Con reserva de modificaciones
 Sous réserve de modification

50 Hz**U.S.**

Typ Type Tipo	Gewicht Weight Poids Peso (lbs)
PE 30/2	207

60 Hz

Typ Type Tipo	Gewicht Weight Poids Peso (lbs)
PE 25/2W	207
PE 28/2	207
PE 35/2	207
PE 35/2W	207
PE 45/2	207
PE 45/2W	207



Gewicht: Beinhaltet Pumpe, Bodenstufgestell und Kabel (50Hz = 10m; 60Hz = 15m)
 Weight: includes pump, skirtbase and cable (50Hz = 10m; 60Hz = 15m)
 Peso: Incluye bomba, base soporte y cable (50Hz = 10m; 60Hz = 15m)
 Peso: include: pompa, base d'appoggio e cavo (50Hz = 10m; 60Hz = 15m)
 Poids: incluant la pompe, le trepied et le câble (50Hz = 10m; 60Hz = 15m)

Guss-Allgemeintoleranzen nach DIN1680 - GTB16
 General tolerances for castings in acc. to DIN1680-GTB16
 Tolleranze generali delle fusioni secondo DIN1680-GTB16
 Tolerancias generales para la fundición ség. de DIN1680-GTB16
 Tolérance générale de la fonderie selon DIN1680-GTB16