

# SULZER

Massblatt XFP 200G-CB1 Trockeninstallation

Dimension sheet DRY-WELL Installation

Dimensioni Installazione a secco

Hoja de dimensiones instalación en seco

Plan d'encombrement Installation à sec

No: AN-M.22.603 - 04

Drawn: 05/08/10 D.Whelan

Issue Date: 17/05/2011

Änderungen vorbehalten

Technical changes reserved

Con riserva di modifiche

Con reserva de modificaciones

Sous réserve de modification

## 50 Hz

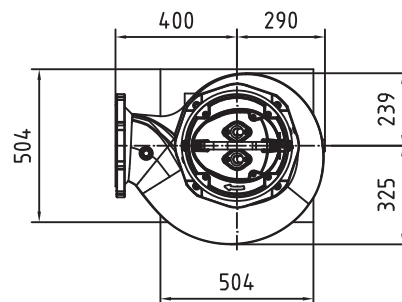
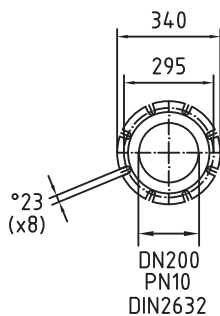
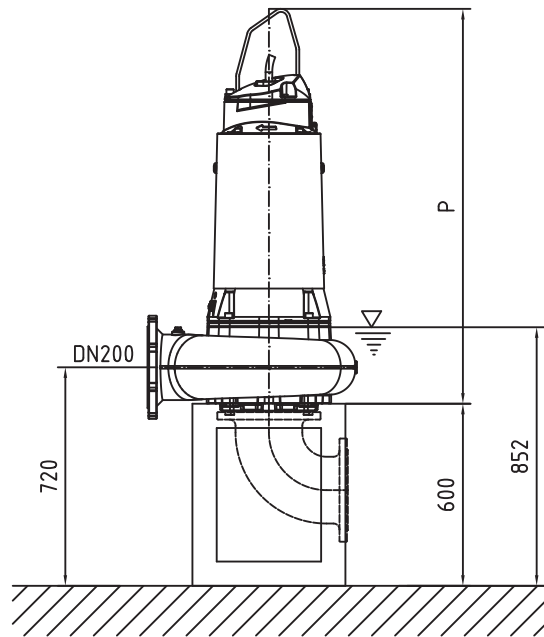
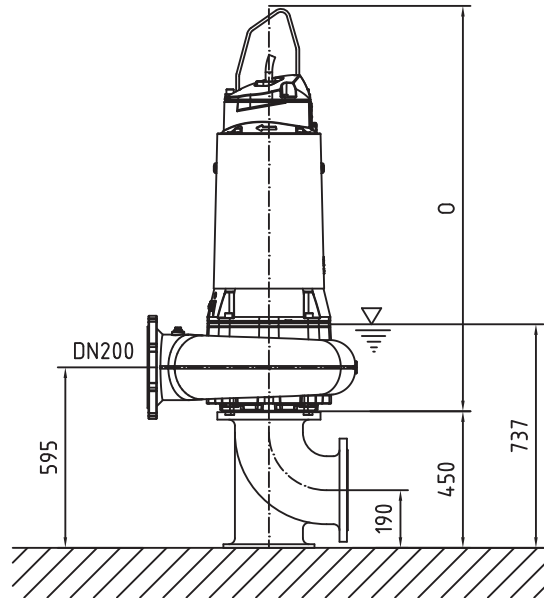
Typ Type Tipo	Gewicht Weight Poids N.C.J. (kg)	Gewicht Weight Poids W.C.J. (kg)	O (mm)	P (mm)
PE 90/6	380	430	1336	1301
PE 110/4	380	420	1336	1301
PE 140/4	380	420	1336	1301
PE 160/4	400	450	1336	1301
PE 185/4	400	450	1336	1301
PE 220/4	410	470	1376	1341

## 60 Hz

Typ Type Tipo	Gewicht Weight Poids N.C.J. (kg)	Gewicht Weight Poids W.C.J. (kg)	O (mm)	P (mm)
PE 90/6	390	430	1336	1301
PE 110/6	390	430	1336	1301
PE 130/6	390	430	1336	1301

N.C.J. = No Cooling Jacket  
W.C.J. = With Cooling Jacket

## S.I.



Gewicht: Beinhaltet Pumpe und Kabel (50 Hz = 10 m; 60 Hz = 15 m)  
Weight: includes pump and cable (50 Hz = 10 m; 60 Hz = 15 m)  
Peso: include pompa e cavo (50 Hz = 10 m; 60 Hz = 15 m)  
Peso: Incluye bomba y cable (50 Hz = 10 m; 60 Hz = 15 m)  
Poids : incluant la pompe et le câble (50 Hz = 10 m; 60 Hz = 15 m)

Guss-Allgemeintoleranzen nach DIN1680 - GTB16  
General tolerances for castings in acc. to DIN1680-GTB16  
Tolleranze generali delle fusioni secondo DIN1680-GTB16  
Tolerancias generales para la fundición seg. de DIN1680-GTB16  
Tolérance générale de la fonderie selon DIN1680-GTB16

**SULZER**

Massblatt XFP 200G-CB1 Trockeninstallation

No: AN-M.22.603 - 04

Dimension sheet DRY-WELL Installation

Drawn: 05/08/10 D.Whelan

Dimensioni Installazione a secco

Issue Date: 17/05/2011

Hoja de dimensiones instalación en seco

Änderungen vorbehalten  
Technical changes reserved  
Con riserva di modifiche  
Con reserva de modificaciones  
Sous réserve de modification

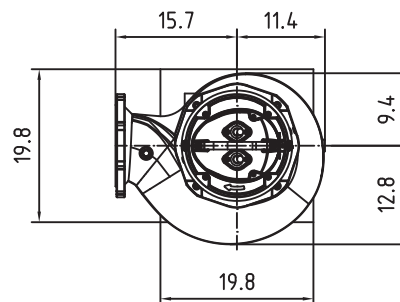
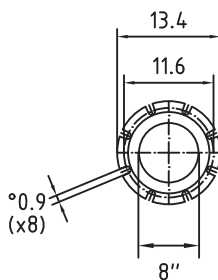
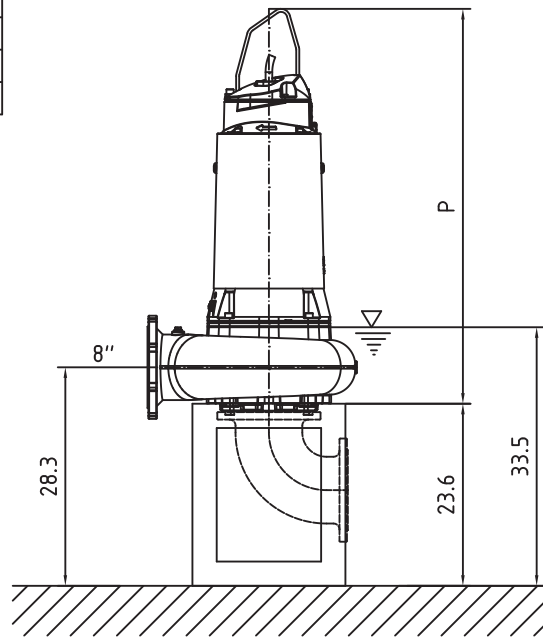
Plan d'encombrement Installation à sec

**50 Hz****U.S.**

Typ Type Tipo	Gewicht Weight Poids N.C.J. (lbs)	Gewicht Weight Poids W.C.J. (lbs)	Ø	P
			(")	(")
PE 90/6	836	946	52.6	51.2
PE 110/4	836	924	52.6	51.2
PE 140/4	836	924	52.6	51.2
PE 160/4	880	990	52.6	51.2
PE 185/4	880	990	52.6	51.2
PE 220/4	902	1034	54.2	52.8

**60 Hz**

Typ Type Tipo	Gewicht Weight Poids N.C.J. (lbs)	Gewicht Weight Poids W.C.J. (lbs)	Ø	P
			(")	(")
PE 90/6	860	946	52.6	51.2
PE 110/6	860	946	52.6	51.2
PE 130/6	860	946	52.6	51.2

N.C.J. = No Cooling Jacket  
W.C.J. = With Cooling Jacket

Gewicht: Beinhaltet Pumpe und Kabel (50 Hz = 10 m; 60 Hz = 15 m)  
 Weight: includes pump and cable (50 Hz = 10 m; 60 Hz = 15 m)  
 Peso: include pompa e cavo (50 Hz = 10 m; 60 Hz = 15 m)  
 Peso: Incluye bomba y cable (50 Hz = 10 m; 60 Hz = 15 m)  
 Poids : incluant la pompe et le câble (50 Hz = 10 m; 60 Hz = 15 m)

Guss-Allgemeintoleranzen nach DIN1680 - GTB16  
 General tolerances for castings in acc. to DIN1680-GTB16  
 Tolleranze generali delle fusioni secondo DIN1680-GTB16  
 Tolerancias generales para la fundición seg. de DIN1680-GTB16  
 Tolérance générale de la fonderie selon DIN1680-GTB16